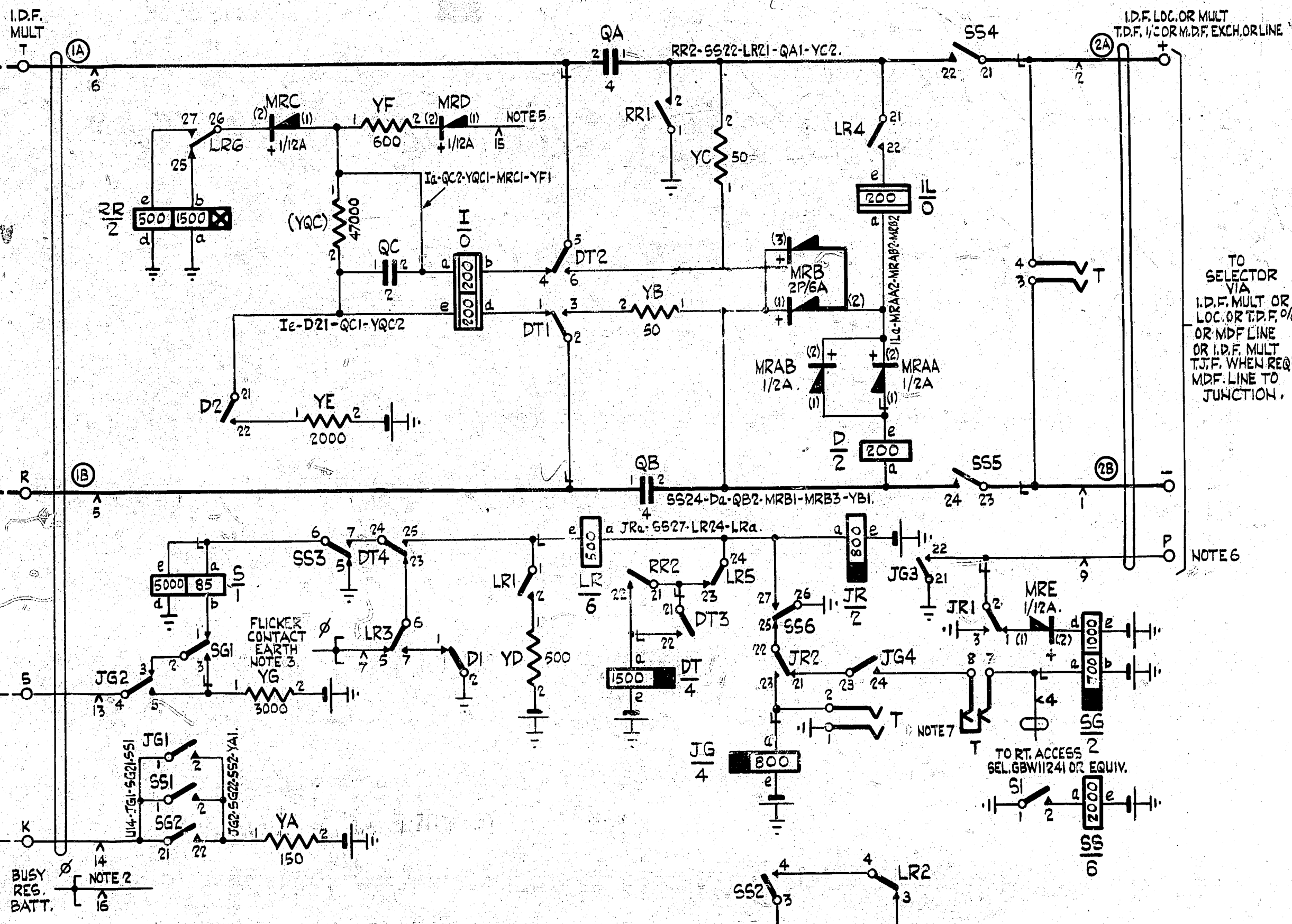


SWITCHBOARD JACK AND LAMP RELAY EXPLANATORY ONLY



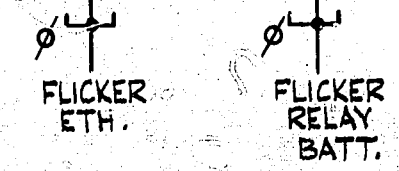
- NOTES :-
1. FUSE :- 1.5A PER CIRCUIT.
 2. JACK POINTS U9&U11, U14&U16 MAKE CONTACT WHEN RELAY SET IS REMOVED.
 3. WHEN FLICKER SUPERVISORY IS NOT REQUIRED LEAD TO U7 IS DISCONNECTED & INSULATED. U7 IS THEN CONNECTED TO U11 ON SHELF JACK.
 4. Ø FOR WIRING SEE GBW10640 OR EQUIV.
 5. U15 TO BE STRAPPED TO U11 FOR UNDER 3db UNREPEATERED TRUNKS.
 6. WHEN RELAY SET IS CONNECTED TO JUNCTION 'P' LEAD TERMINATES ON T.J.F. WHEN T.J.F. IS NOT FITTED 'P' LEAD CROSS CONNECTION IS OMITTED.
 7. TO BUSY THE CCT. THE U LINK MUST BE REMOVED FROM SPRINGS T7&8 & INSERTED IN SPRINGS T1&2.

BATT. W :- U12-JR2-JG2-SG2-SG2-DT2-SS2-YA2-YD2-YE2-YG2.
 ETH. R :- U11-5d-5l-RR2-RR2-RR2-JR3-JG21-SS2G-SS5-D2-T1.
 BATT BK 20SWG FUSE (3B) U12.
 ETH R. 20SWG ETH BAR (3A) U11.

TO SELECTOR VIA I.D.F. MULT OR LOC. OR T.D.F. OR M.D.F. LINE OR I.D.F. MULT T.J.F. WHEN REQ'D M.D.F. LINE TO JUNCTION.

NOTE 6

TO RT. ACCESS SEL. GBW11241 OR EQUIV.



REL. RR & SG MODIFIED. RESIS. YH & YJ WERE SHOWN (66080)		2	1:12:55	CWH	OUTGOING RELAY SET TO AUTO EXCHANGE LOOP DIALLING. SLEEVE CONTROL SYSTEM 2000 TYPE.		
AMENDMENT PARTICULARS		ISSUE	DATE	APPD	REF: GS3-21-13	SIZE S	50Y H
NZPO	DRAWN F.G.C.	CHECKED	WIRING	CIRCUIT	GBW 13070		