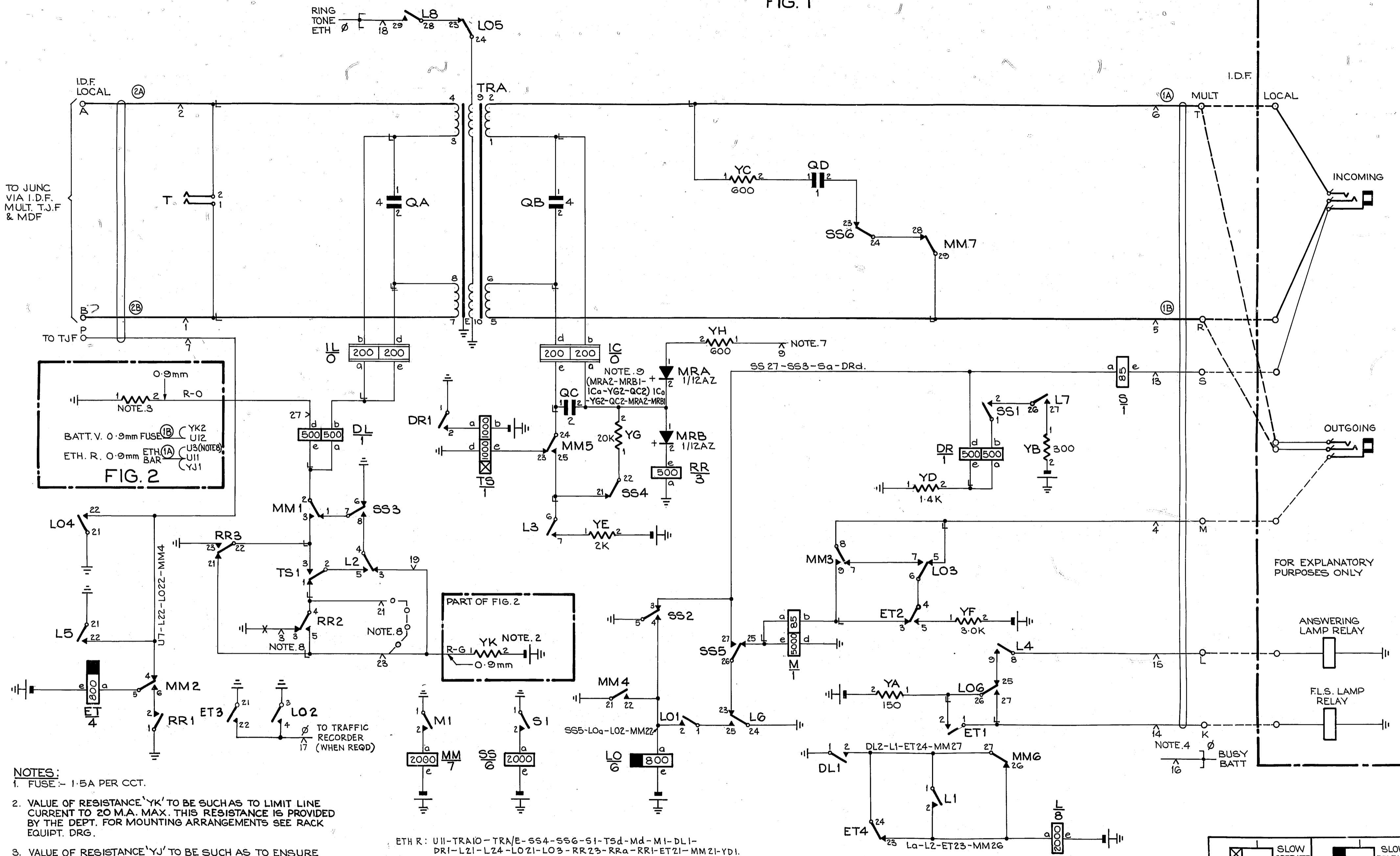


FIG. 1



- NOTES:**
- FUSE:- 1.5A PER CCT.
 - VALUE OF RESISTANCE 'YK' TO BE SUCH AS TO LIMIT LINE CURRENT TO 20 M.A. MAX. THIS RESISTANCE IS PROVIDED BY THE DEPT. FOR MOUNTING ARRANGEMENTS SEE RACK EQUIPT. DRG.
 - VALUE OF RESISTANCE 'YJ' TO BE SUCH AS TO ENSURE EQUAL CURRENT IN WINDINGS OF RELAY 'DL' WHEN O/G CALLING CONDITION IS ESTABLISHED. THIS RESISTANCE IS PROVIDED BY THE DEPT. FOR MOUNTING ARRANGEMENTS SEE RACK EQUIPT. DRG.
 - U9 & U11 AND U14 & U16 MAKE WHEN RELAY SET IS REMOVED.
 - WIRING OF PLUGGED IN PORTION TO BE 0.5mm. ALL REMAINING WIRING TO BE 0.6mm UNLESS OTHERWISE SPECIFIED.
 - Ø FOR WIRING SEE G.B.W. 10640 OR EQUIV.

ETH R: U11-TRA10-TRA/E-SS4-SS6-S1-TSd-Md-M1-DL1-DR1-L21-L24-LO21-LO3-RR23-RRa-RR1-ET21-MM21-YD1.
 BATT V: U12-SSa-TSb-Le-LOe-ETe-MMe-YE2-YF2-YA2-YB2

- STRAP U9 & U11 WHEN CIRCUIT IS ASSOCIATED WITH UNDER 3dB UNREPEATERED LINE.
- WHEN TERMINATING JUNCTIONS INCOMING FROM MINOR MANUAL EXCHANGES THROUGH SIGNALLING IS NOT REQ'D. ADD STRAP -O-O-O- AND DISCONNECT EARTH ON U3.
- ON SOME EQUIPT WRG RUN () IS USED AND MRA & MRB ARE MOUNTED BELOW RELAY 'DR'.
- ON SOME EARLIER EQUIPT. BATT. WIRE COL. WAS 'W'.

REDRAWN & METRICATED	(157764)	10A	14-7-78	REP
NOTE 9 & ALT. WRG. RUN & NOTE 10 ADDED		10	16-10-68	22
AMENDMENT PARTICULARS		ISS	DATE	APPD

SLOW OPERATE SLOW RELEASE

SLEEVE CONTROL SYSTEM BOTHWAY TRUNK DIFFERENTIAL SIGNALLING (2000 TYPE)

REF:- 353 SIZE A2 50V H

GBW. 13040

