

FIG. 2.

B/W LINE RELAYS
M.A.R.
NOTES.

BATT BK. 0.7mm. FUSE 3B L5a-L5c
W L5a-L5c
De-ARb-ARc

ETH. R. 0.7mm. ETH BAR 3A L5a-L51-LC21
R L5a-L51-LC21
Da-AR1

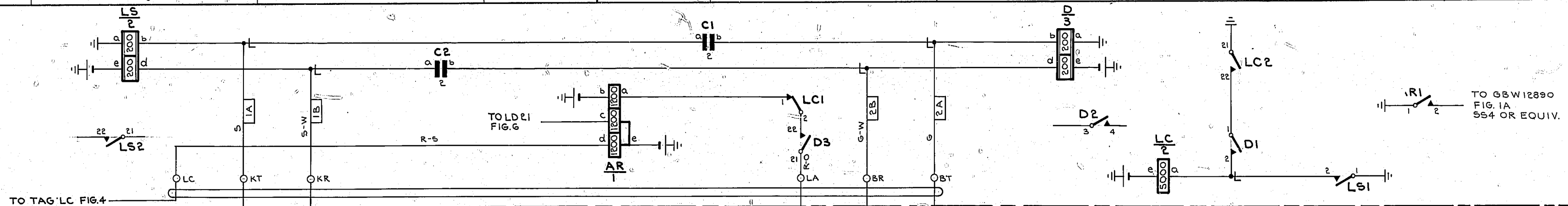


FIG. 1.

B/W LINE TO EXCH SUPT. OR
ASST SUPERS. TELE.
NOTE 4.

POSN ETHO R 0.7mm. LP1a

SPEAK (KS) + RING (KR)
2

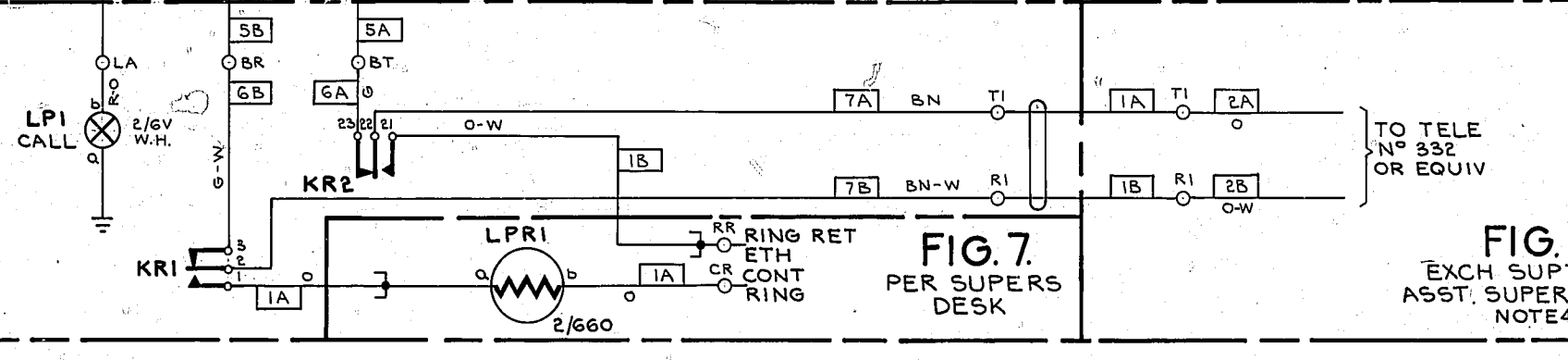


FIG. 3.

EXCH SUPT. OR
ASST. SUPERSTELE
NOTE 4

FIG. 7.

PER SUPERS
DESK

BATT BK. 0.7mm. FUSE 4B TDc
W LDe

ETH. R. 0.7mm. ETH BAR 4A TDa-TD3-CDa-CD1-CD3
R TDa-TD3-CDa-CD1-CD3

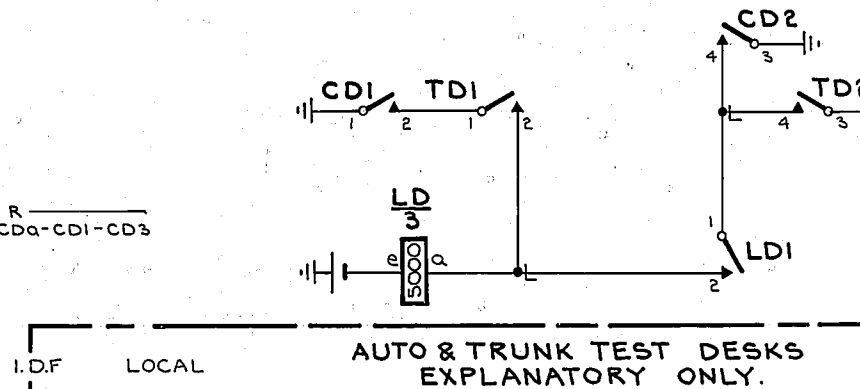


FIG. 4.

B/W TO DIRECTORY
SERVICE DESK
NOTE 4.

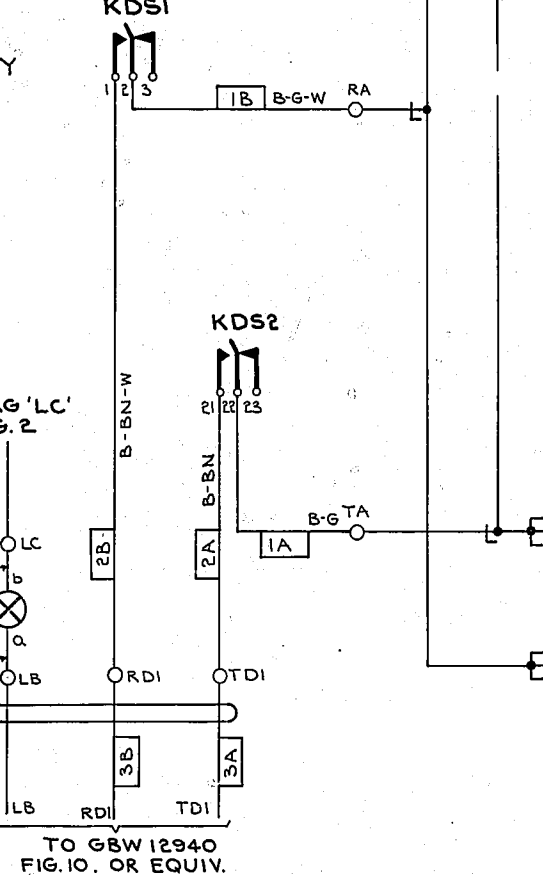
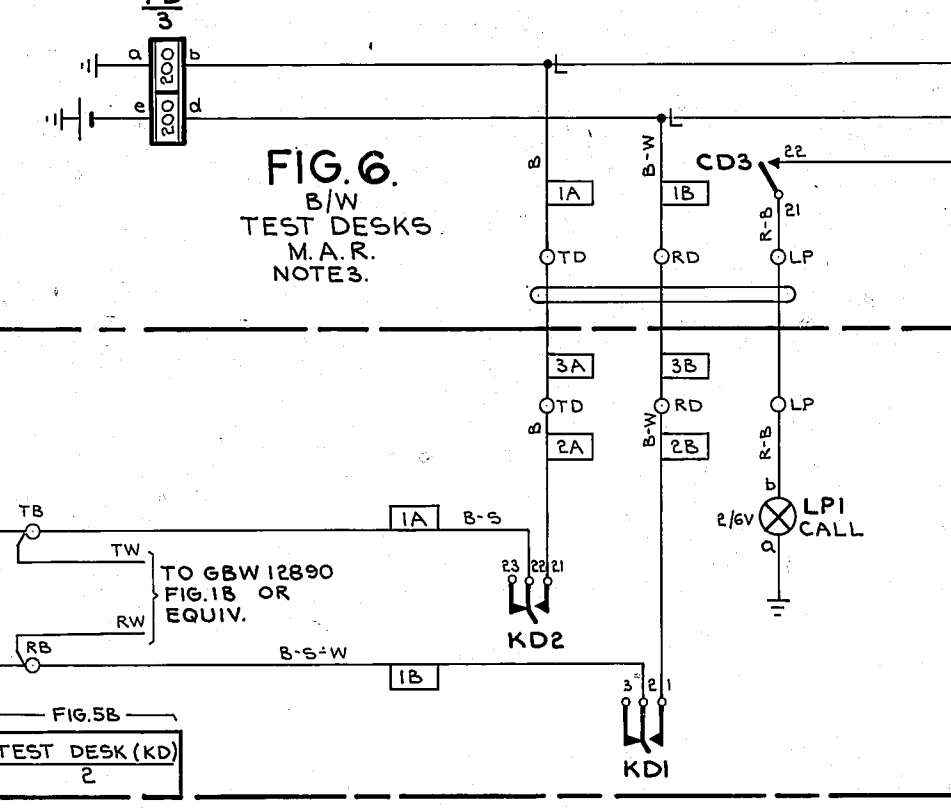


FIG. 6.

B/W TEST DESKS
M.A.R.
NOTE 3.



FIGS. 5A & 5B.

B/W LINES TO
TEST DESKS
NOTES 5 & 6

POSN ETH R 0.7mm. LP1a

FIG. 5A
TEST DESK (KD) EXTN. TO M/B(KM) GBW12890 FIG. 1

FIG. 5B
TEST DESK (KD)

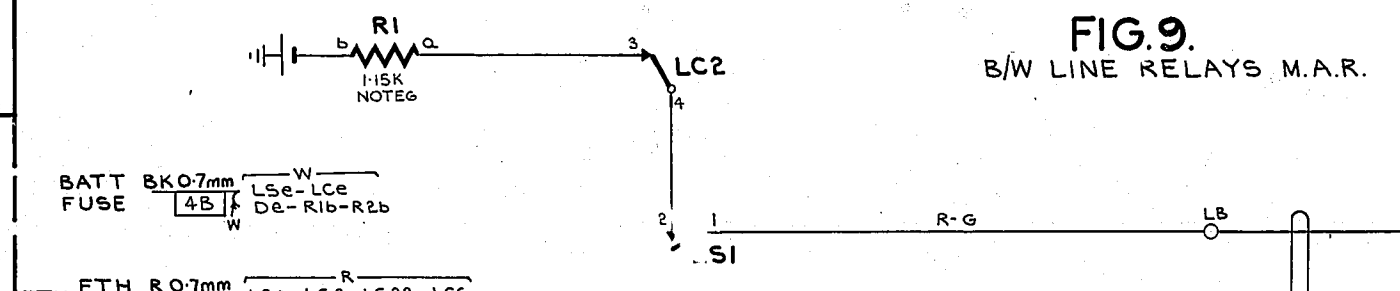


FIG. 9.

B/W LINE RELAYS M.A.R.

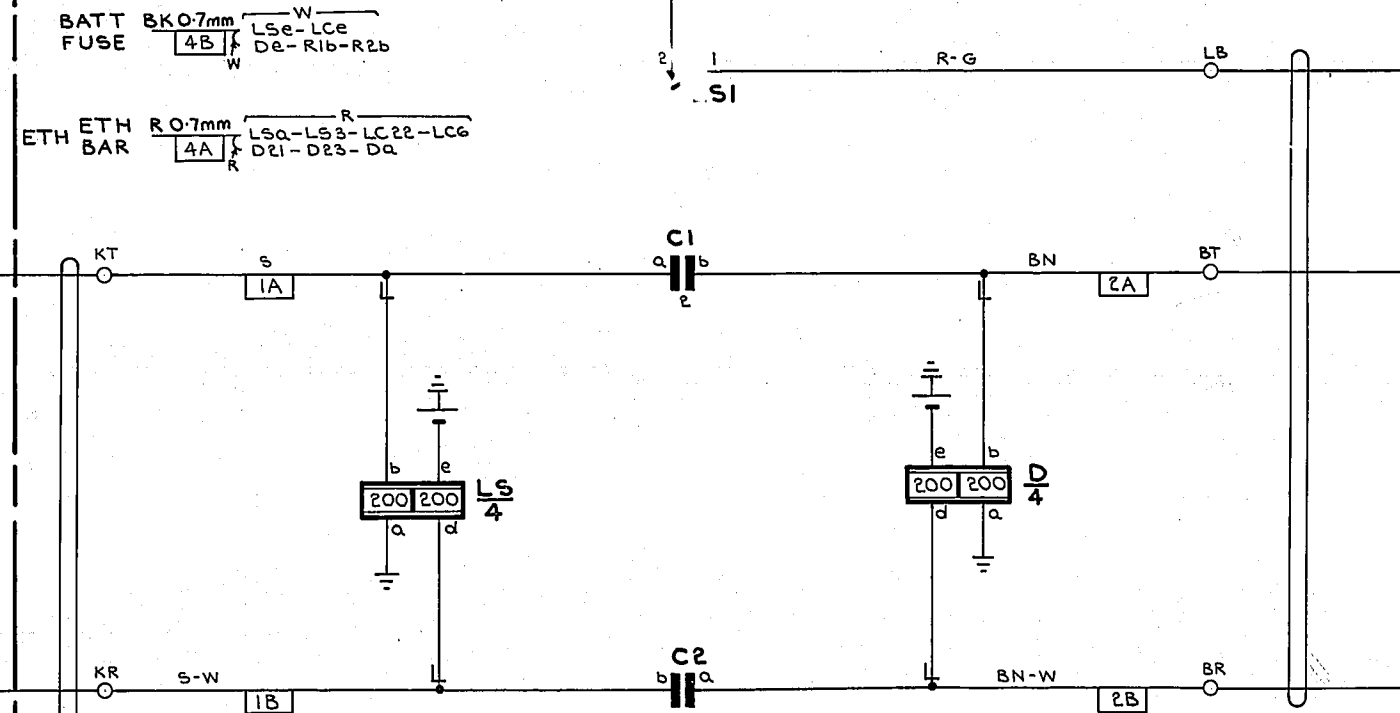


FIG. 8.

CHIEF OR TRAFFIC SUPVR'S DESK
B/W LINE TO ASSIST. SUPVR'S DESK

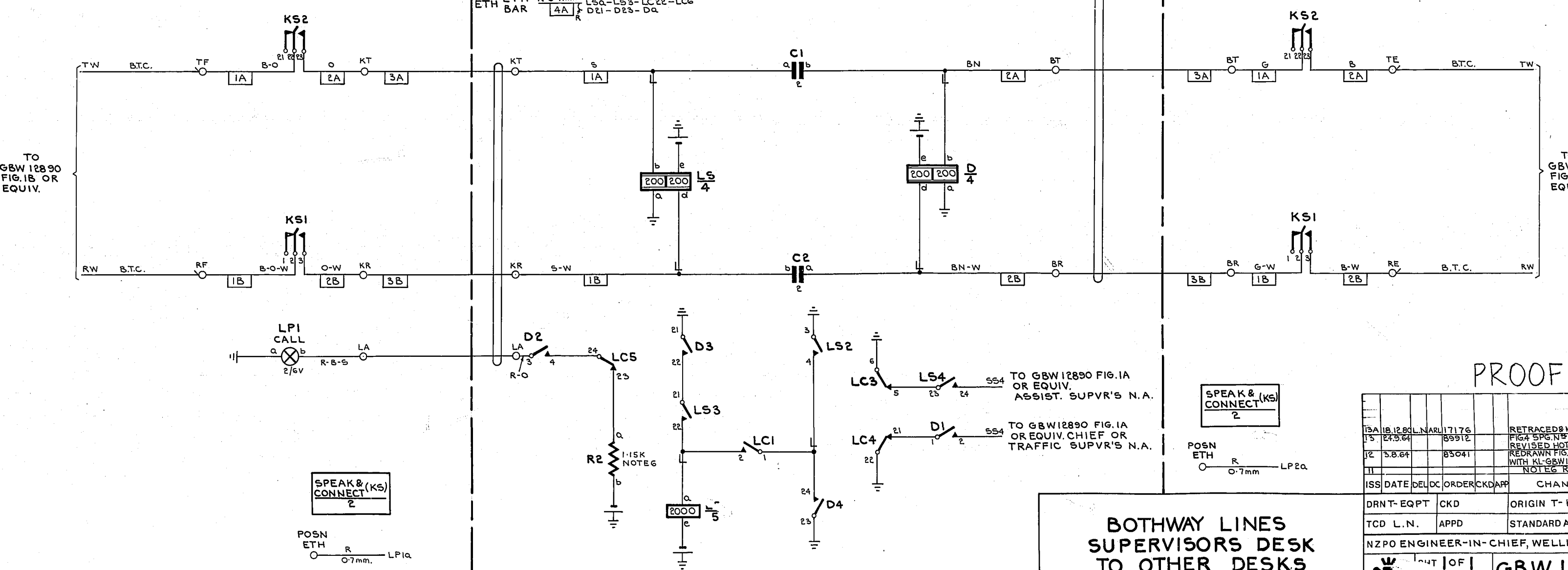
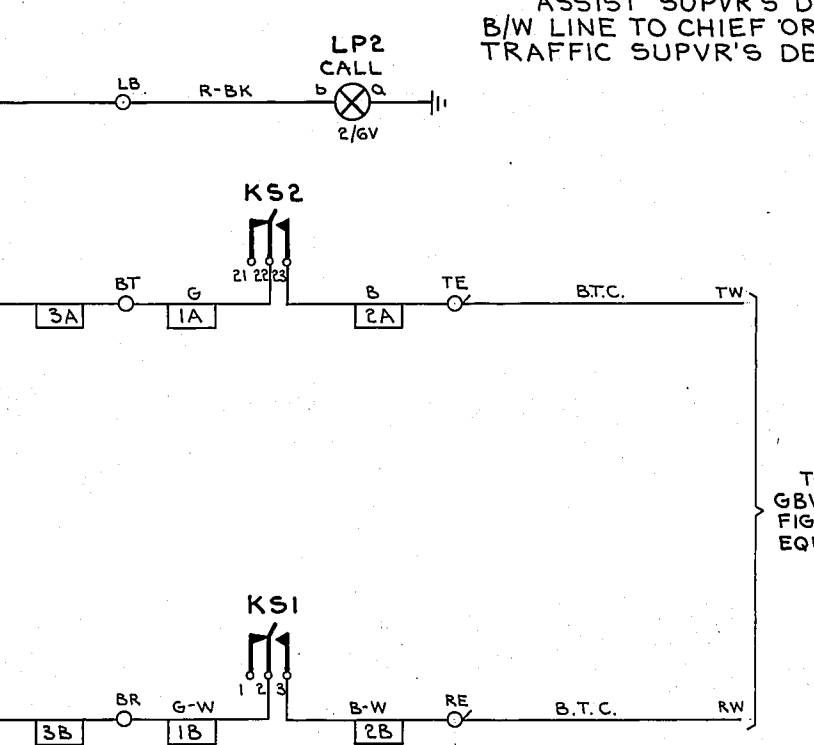


FIG. 10.

ASSIST SUPVR'S DESK
B/W LINE TO CHIEF OR
TRAFFIC SUPVR'S DESK



NOTES.

- 1. FUSE: FIG. 2: 1.5A PER CCT
FIG. 6: 1.5A PER CCT
FIG. 9: 1.5A PER CCT
- 2. ALL WIRING TO BE 0.5mm. UNLESS OTHERWISE SPECIFIED
- 3. IN FIGS. 2, 6 & 9 ALL TAGS ARE ON M.A.R. STRIP CONN. UNLESS OTHERWISE SPECIFIED
- 4. IN FIGS. 1, 3, 4, 5, 8 & 10 ALL TAGS ARE ON POSN. STRIP CONN. UNLESS OTHERWISE SPECIFIED
- 5. KEY SPRING NUMBERS SHOWN THUS (21) REFER TO FIG. 5B ONLY.
- 6. PRIOR TO ISSUE 12 R1 & R2 WERE 1:2K
- 7. PRIOR TO ISSUE 10, KEY KDS (FIG. 4) WAS COMBINED WITH KEY KOA OF GBW 12960 FIG. 3 & KEY KD (FIG. 5A) WAS COMBINED WITH KEY KM OF GBW 12960 FIG. 1.

NOTE 7
DIRECTORY SERVICE (KDS) LISTEN IN (KL)
2 (GBW 12910 FIG. 2)

TO GBW 12890
FIG. 1B OR
EQUIV.

TO GBW 12890
FIG. 1B OR
EQUIV.

SPEAK & (KS)
CONNECT
2

POSN ETH R 0.7mm. LP1a

SPEAK & (KS)
CONNECT
2

POSN ETH R 0.7mm. LP2a

BOTHWAY LINES
SUPERVISORS DESK
TO OTHER DESKS

PROOF

13A 12 28 11 17 15	RETRACED METRICATED
15 24 3 64	FIG 4 SPG. NO. OF KDS KEY
16 3 8 64	REVISED NOTE 7 ADDED
	REBORN FROM KDS ASSOC
	WITH KL GBW 12910 FIG. 2
	NOTE 7 REVISED
ISS DATE DEL. ORDER CKD APP	CHANGE
DRNT-EQPT CKD	ORIGIN T-EQPT
TCD L.N. APPD	STANDARD ATW 22001
NZPO ENGINEER-IN-CHIEF, WELLINGTON	
OUT OF	GBW 12880
A1	