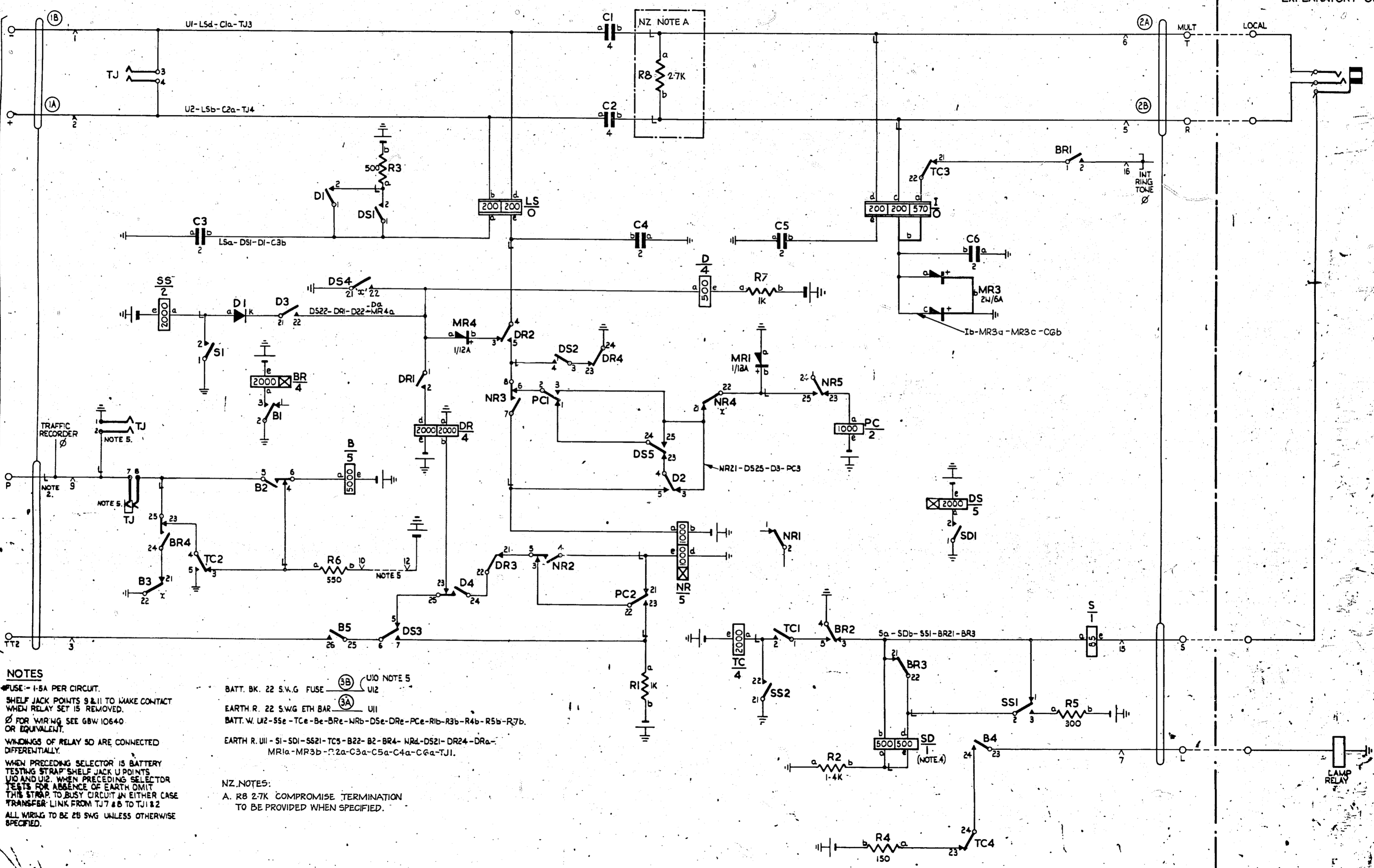


TOLL OR AUTO
I.D.F.
MULT OR LOCAL

MANUAL
I.D.F.
EXPLANATORY ONLY



NOTES

- 1. FUSE - 1.5A PER CIRCUIT.
- 2. SHELF JACK POINTS 9 & 11 TO MAKE CONTACT WHEN RELAY SET IS REMOVED.
- 3. Ø FOR WIRING SEE GBW 10640 OR EQUIVALENT.
- 4. WINDINGS OF RELAY SO ARE CONNECTED DIFFERENTIALLY.
- 5. WHEN PRECEDING SELECTOR IS BATTERY TESTING STRAP SHELF JACK UP POINTS U10 AND U12. WHEN PRECEDING SELECTOR TESTS FOR ABSENCE OF EARTH OMIT THIS STRAP TO BUSY CIRCUIT IN EITHER CASE TRANSFER LINK FROM TJ7 & 8 TO TJ1 & 2.
- 6. ALL WIRING TO BE 28 SWG UNLESS OTHERWISE SPECIFIED.

U10 NOTE 5
U12

BATT. BK. 22 SWG FUSE (3B) U12

EARTH R. 22 SWG ETH BAR (3A) U11

BATT. W. U12-55e-TCe-Be-BRe-NRb-DSe-DRe-PCe-R1b-R3b-R4b-R5b-R7b.

EARTH R. U11-S1-SD1-SS21-TC5-B22-B2-BR4-NR4-DS21-DR24-DRa-MR1a-MR3b-R2a-C3a-C5a-C4a-C6a-TJ1.

NZ. NOTES:
A. R8 2.7K COMPROMISE TERMINATION TO BE PROVIDED WHEN SPECIFIED.

FROM VF SELP
GBW 11630
GBW 12580
OR
GBW 11620

NZ NOTE A ADDED		(5/7/6)	C	16/2/76	GW
EARTH RELAY WERE SHOWN CONNECTED TO MR2 (2/2/77)		(3/9/9)	B	8/1/78	BSH
AMENDMENT PARTICULARS		(3/9/9)	A	1/12/71	B.S.H.
DATE	APPROVED	REF	SIZE	MOD	VER
GBW	12850	MOD C			