

0
5 Centimetres
10
15
20
25
30

FIG.1A CONNECTIONS FOR POSITIONS WITH INDIVIDUAL LAMPS.

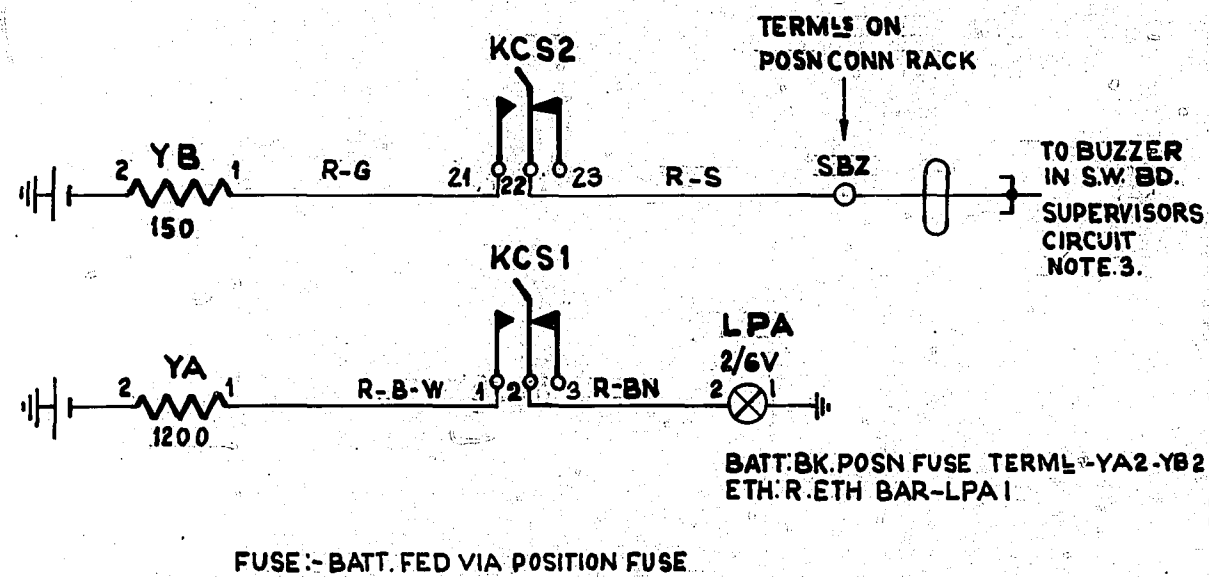


FIG.4A CONNECTIONS FOR PNEUMATIC DISTRIBUTION & TICKET FILING POSITIONS.

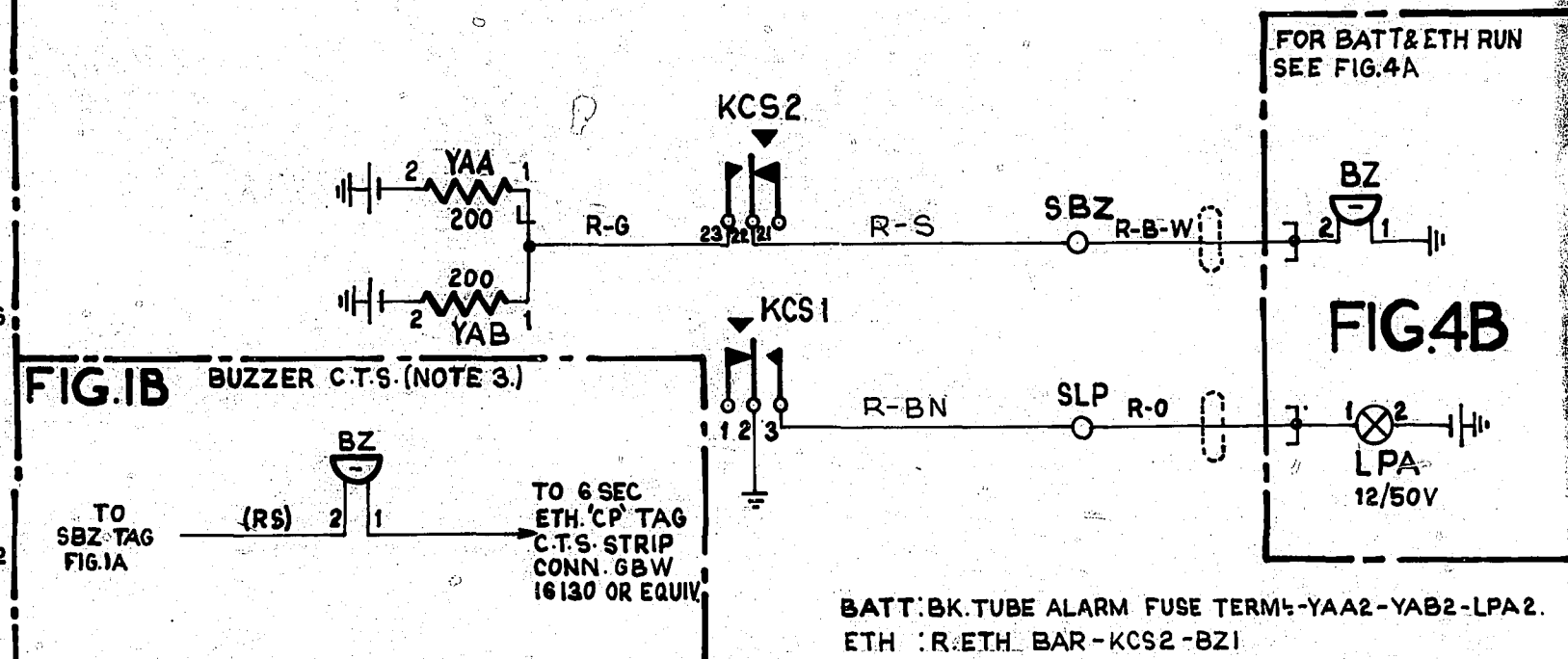


FIG.2A CONNECTIONS FOR TICKET SORTING & FILING POSITIONS

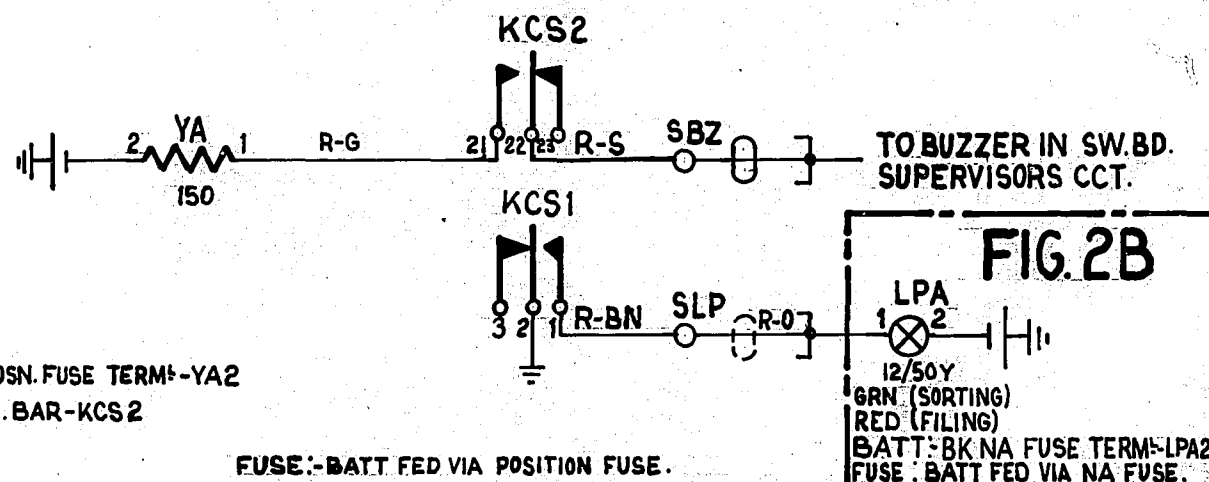


FIG.5A CONNECTIONS FOR S.F.J. POSITIONS

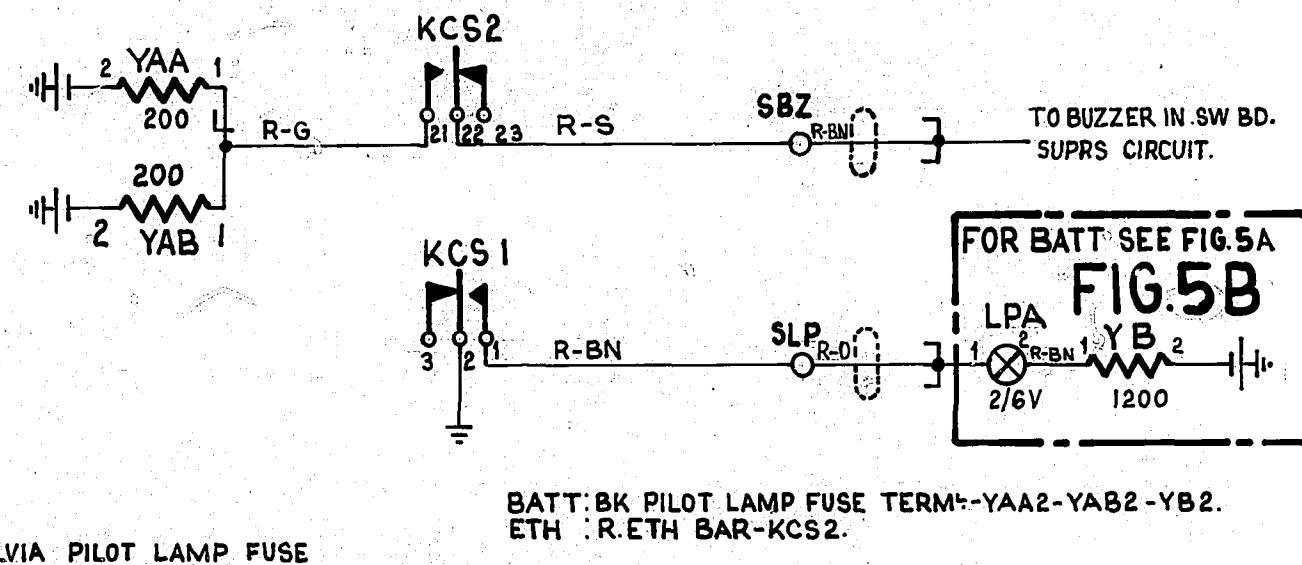
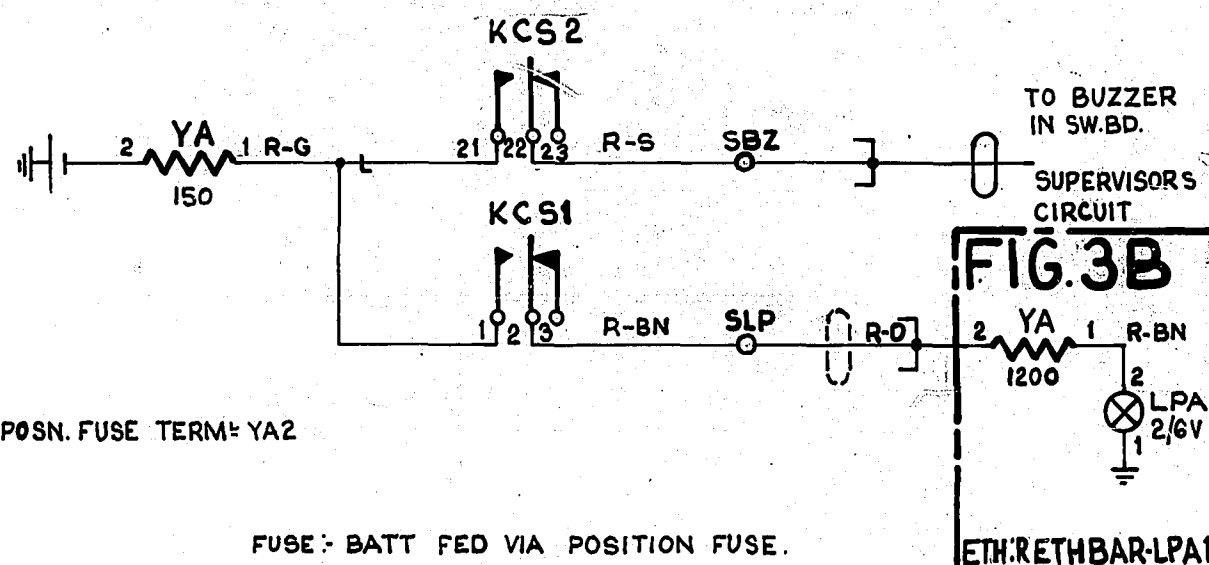


FIG.3A CONNECTIONS FOR 2 OR MORE POSITIONS COMMONED TO ONE LAMP



NOTES:-

1. ALL FIGS. ALL WIRING UNLESS OTHERWISE SPECIFIED TO BE 23 S.W.G.
2. CALL SUPER KEY FORMS PART OF COUPLING KEY ON POSITION. CCT. GBW 12810 OR EQUIV.
3. BUZZER (FIG.1B) USED IN ASSOCIATION WITH FIG.1A WHEN SWITCHBOARD SUPRS. CCT. IS NOT PROVIDED.

(NOTE 2)

CALL SUPERVISOR (KCS)	2
-----------------------	---

<input type="checkbox"/>	SLOW RELEASE	<input checked="" type="checkbox"/>	SLOW OPERATE
--------------------------	--------------	-------------------------------------	--------------

FIG.1A-KCS NUMBERING AMD.	(152913)	4B	17-4-76	C.J.W.
FIG.1A-KCS WAS NON LOCKING KEY	(2419)			
FIG.1B-BZ1 WAS CONNECTED TO ETH.		4A	24-4-73	B.S.H.
150 OHM RESIS. WERE SHOWN EXPLAN.	(11136)	4	13-12-57	A.C.G.
EXPLAN. FIGS.150 POS. BATT. WAS NOT SHOWN	(8248)	3	8-11-57	A.C.G.
FIG.1B& NOTE 3 WHERE NOT SHOWN.	(10327)	2	6-1-54	C.W.H.
	(7898)	1	16-2-53	C.W.H.

SLEEVE CONTROL SYSTEM
CALL SUPERVISOR CIRCUIT.

AMENDMENT PARTICULARS		ISSUE DATE	APPD	REF:- G53-13-16	SIZE S	50Y H
N.Z.P.O.		DRAWN F.G.C.	CHECKED	WIRING	CIRCUIT	H.B

GBW 12830