

FIG. 1

FROM O/G JUNG R/S  
CBW 12460 OR EQUIV  
DIRECT OR VIA I.D.F.  
LOC OR MULT. OR  
FROM JUNG VIA  
I.D.F. LOCAL & M.D.F.  
OR FROM I.C. I.V.F.  
LINE COT. CBW 15060  
OR EQUIV. VIA I.D.F.  
LOC OR MULT.

FROM O/G JUNG R/S  
CBW 12460 OR EQUIV  
DIRECT OR VIA I.D.F.  
LOC OR MULT. OR  
FROM JUNG VIA  
I.D.F. LOCAL & M.D.F.  
OR FROM I.C. I.V.F.  
LINE COT. CBW 15060  
OR EQUIV. VIA I.D.F.  
LOC OR MULT.

BATT BK FUSE 22SWG (4B) U12 JH6  
EARTH R. ETH BAR 22SWG (4A) U11 JH11 - JH14 TO R2-R1a

BATT W U12 - R15 - R25 - C4e - OHe - C6e - CDe - CR2 - BJe - Ke - Ne - HJe - MBe -  
Je - JBe - DGe - DGe - LBe - Dce - KAb - KAe - R3b - R4b  
EARTH R. U11 - CHa - MHa - MH1 - OHi - CBI - C3 - C01 - CR23 - CRI - BU25 - KI - N25 -  
Ne - M1 - M21 - H1F - MB1 - JB21 - DC21 - DG25 - DG3 - LB21 - LB2 - LAa -  
LA6 - KA1 - KA2 - Dd - TJ1

- NOTES
- FUSING: 1-0A PER RELAY SET AND ASSOCIATED JUNCTION HUNTER.
  - JACK POINTS 9 & 11 TO MAKE CONTACT WHEN RELAY SET IS REMOVED.
  - ALL WIRING TO BE 25-SWG UNLESS OTHERWISE SPECIFIED. RELAY SET AND
  - FOR WIRING SEE GBW 10640 OR EQUIV.
  - THE ASSOCIATED I/C GROUP SELECTOR SHELF JACK STRAPPING IS TO BE ARRANGED TO PROVIDE THE FAST GUARD FACILITY.

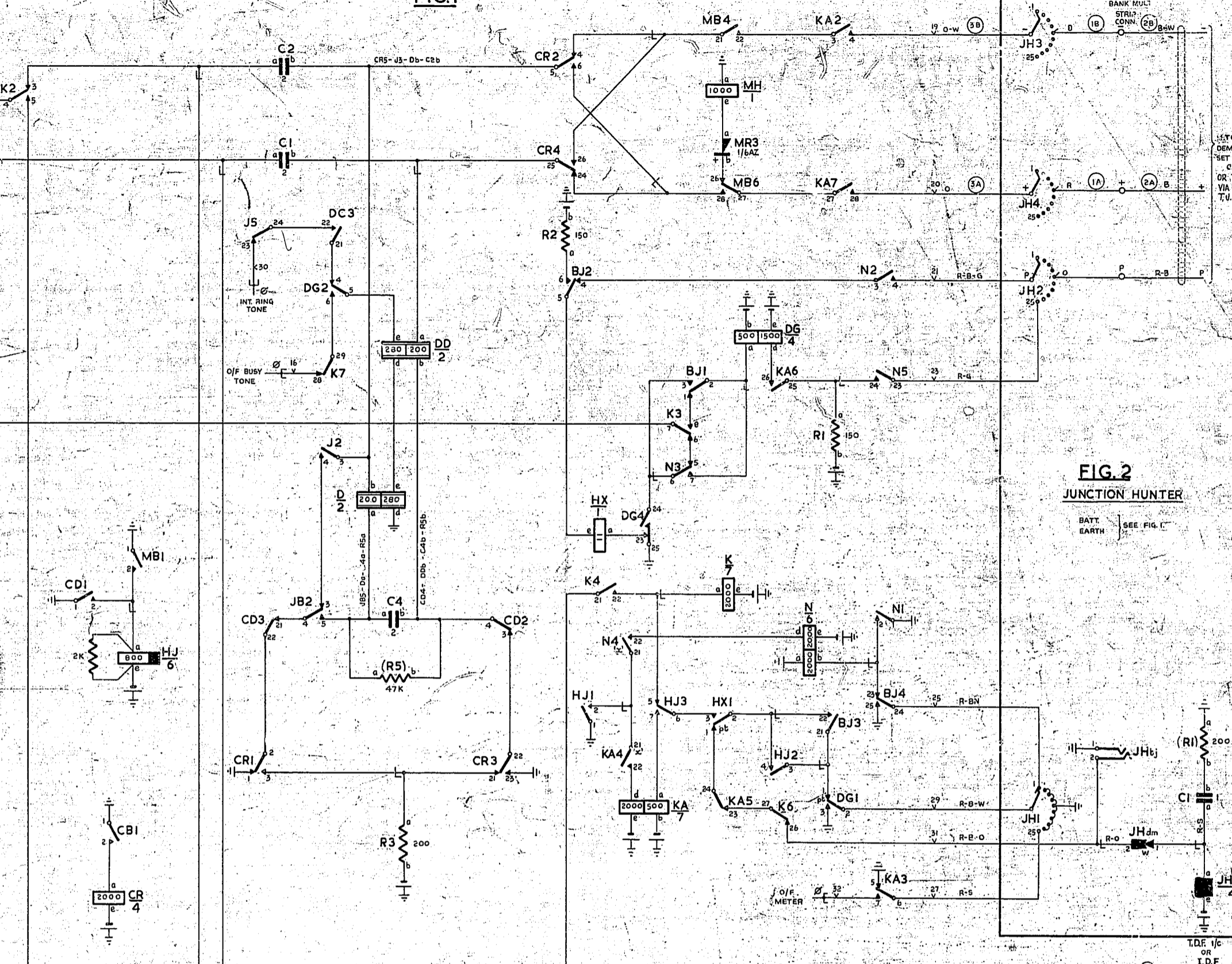
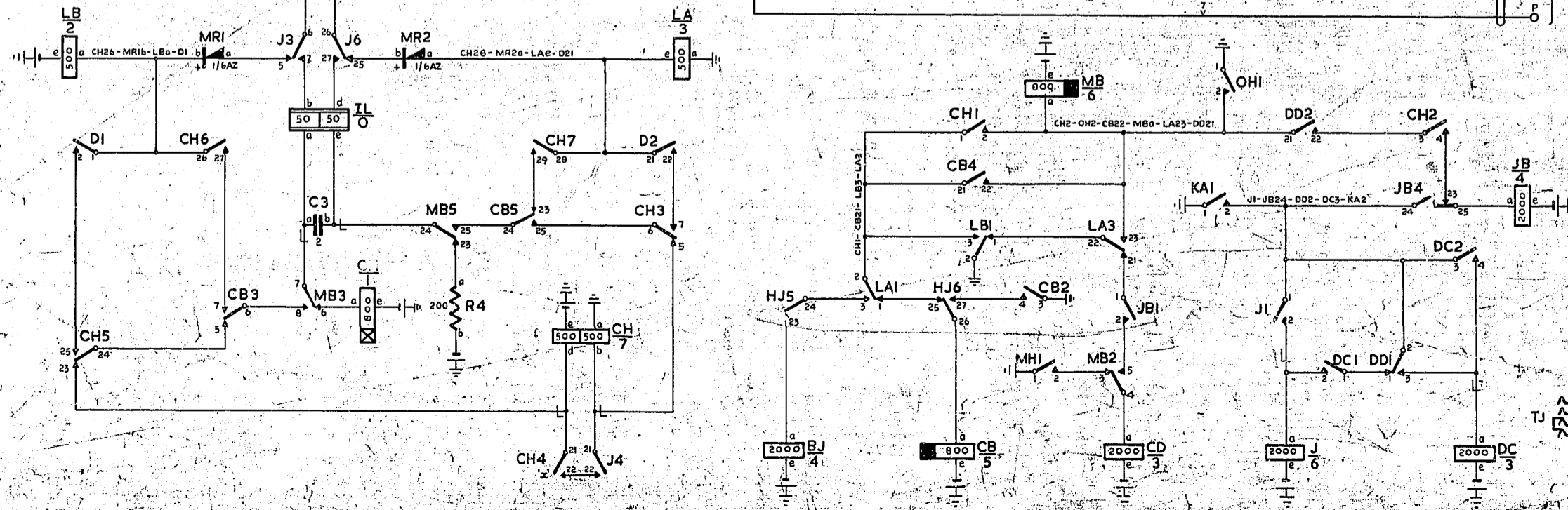
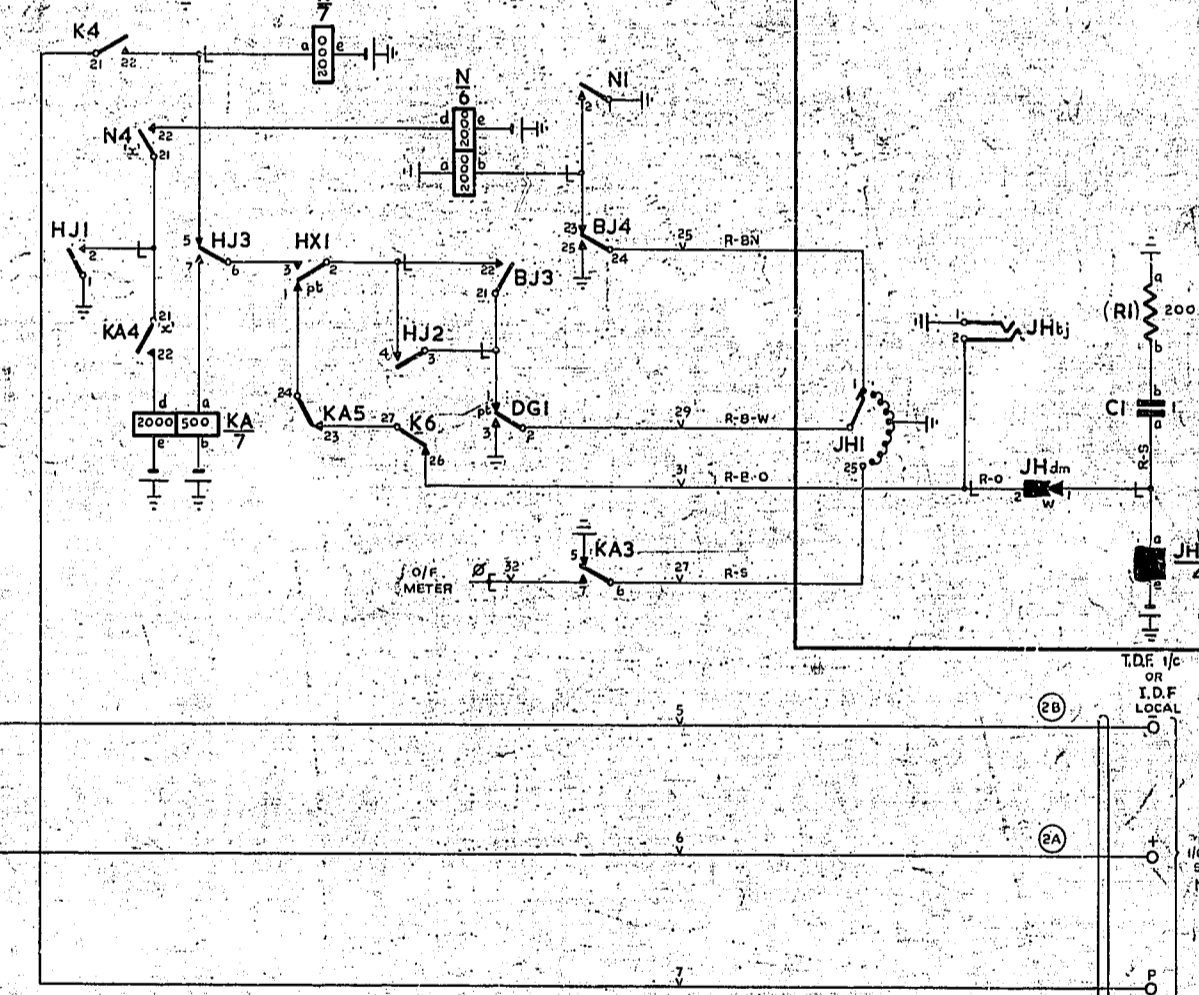


FIG. 2  
JUNCTION HUNTER

BATT EARTH SEE FIG. 1



NO.	REV.	DESCRIPTION
1	1	ISSUED TO LONDON & I/C DEPT. (GBW 12680)
2	1	ISSUED TO I/C DEPT. (GBW 12680)
3	1	ISSUED TO I/C DEPT. (GBW 12680)
4	1	ISSUED TO I/C DEPT. (GBW 12680)
5	1	ISSUED TO I/C DEPT. (GBW 12680)
6	1	ISSUED TO I/C DEPT. (GBW 12680)
7	1	ISSUED TO I/C DEPT. (GBW 12680)
8	1	ISSUED TO I/C DEPT. (GBW 12680)
9	1	ISSUED TO I/C DEPT. (GBW 12680)
10	1	ISSUED TO I/C DEPT. (GBW 12680)
11	1	ISSUED TO I/C DEPT. (GBW 12680)
12	1	ISSUED TO I/C DEPT. (GBW 12680)
13	1	ISSUED TO I/C DEPT. (GBW 12680)
14	1	ISSUED TO I/C DEPT. (GBW 12680)
15	1	ISSUED TO I/C DEPT. (GBW 12680)
16	1	ISSUED TO I/C DEPT. (GBW 12680)
17	1	ISSUED TO I/C DEPT. (GBW 12680)
18	1	ISSUED TO I/C DEPT. (GBW 12680)
19	1	ISSUED TO I/C DEPT. (GBW 12680)
20	1	ISSUED TO I/C DEPT. (GBW 12680)
21	1	ISSUED TO I/C DEPT. (GBW 12680)
22	1	ISSUED TO I/C DEPT. (GBW 12680)
23	1	ISSUED TO I/C DEPT. (GBW 12680)
24	1	ISSUED TO I/C DEPT. (GBW 12680)
25	1	ISSUED TO I/C DEPT. (GBW 12680)
26	1	ISSUED TO I/C DEPT. (GBW 12680)
27	1	ISSUED TO I/C DEPT. (GBW 12680)
28	1	ISSUED TO I/C DEPT. (GBW 12680)
29	1	ISSUED TO I/C DEPT. (GBW 12680)
30	1	ISSUED TO I/C DEPT. (GBW 12680)
31	1	ISSUED TO I/C DEPT. (GBW 12680)
32	1	ISSUED TO I/C DEPT. (GBW 12680)
33	1	ISSUED TO I/C DEPT. (GBW 12680)
34	1	ISSUED TO I/C DEPT. (GBW 12680)
35	1	ISSUED TO I/C DEPT. (GBW 12680)
36	1	ISSUED TO I/C DEPT. (GBW 12680)
37	1	ISSUED TO I/C DEPT. (GBW 12680)
38	1	ISSUED TO I/C DEPT. (GBW 12680)
39	1	ISSUED TO I/C DEPT. (GBW 12680)
40	1	ISSUED TO I/C DEPT. (GBW 12680)
41	1	ISSUED TO I/C DEPT. (GBW 12680)
42	1	ISSUED TO I/C DEPT. (GBW 12680)
43	1	ISSUED TO I/C DEPT. (GBW 12680)
44	1	ISSUED TO I/C DEPT. (GBW 12680)
45	1	ISSUED TO I/C DEPT. (GBW 12680)
46	1	ISSUED TO I/C DEPT. (GBW 12680)
47	1	ISSUED TO I/C DEPT. (GBW 12680)
48	1	ISSUED TO I/C DEPT. (GBW 12680)
49	1	ISSUED TO I/C DEPT. (GBW 12680)
50	1	ISSUED TO I/C DEPT. (GBW 12680)
51	1	ISSUED TO I/C DEPT. (GBW 12680)
52	1	ISSUED TO I/C DEPT. (GBW 12680)
53	1	ISSUED TO I/C DEPT. (GBW 12680)
54	1	ISSUED TO I/C DEPT. (GBW 12680)
55	1	ISSUED TO I/C DEPT. (GBW 12680)
56	1	ISSUED TO I/C DEPT. (GBW 12680)
57	1	ISSUED TO I/C DEPT. (GBW 12680)
58	1	ISSUED TO I/C DEPT. (GBW 12680)
59	1	ISSUED TO I/C DEPT. (GBW 12680)
60	1	ISSUED TO I/C DEPT. (GBW 12680)

INCORPORATING JUNCTION CIRCUIT (I/C A)  
FROM DEPENDENT, J.A.X. NZ 15  
AUTOMATIC MINOR EXCHANGES  
GBW 12680

PHOTO I/C GROUP SELECTOR NOTE 5

TJ 8