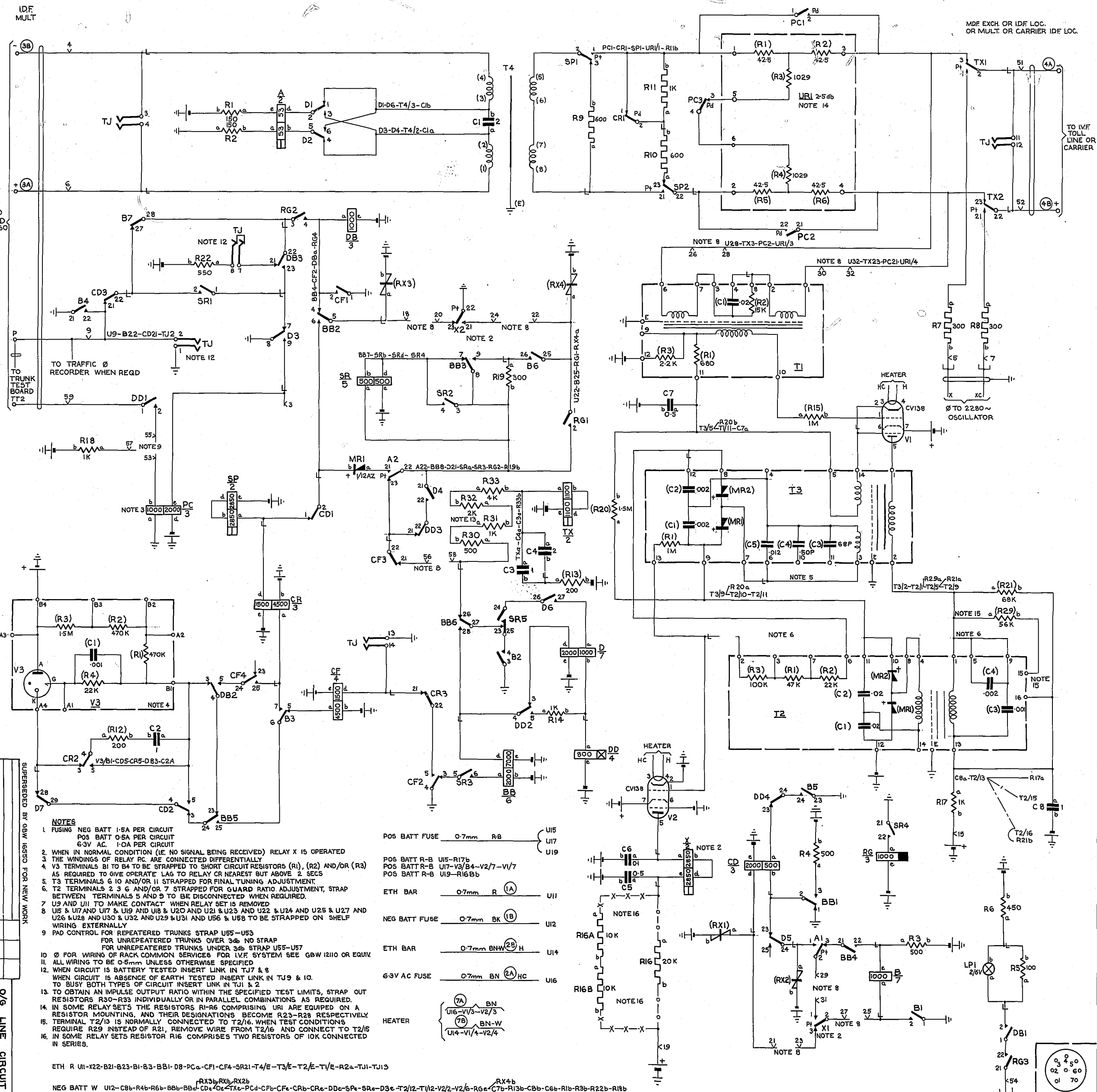


FROM I/C SELR. GBW 11630 OR GBW 14580 OR MANUAL BOARD RELAY SET GBW. 13860 OR EQUIV.



NOTES

- 1 FUSING NEG BATT 1.5A PER CIRCUIT
POS BATT 0.5A PER CIRCUIT
6.3V AC 1.0A PER CIRCUIT
- 2 WHEN IN NORMAL CONDITION (IE. NO SIGNAL BEING RECEIVED) RELAY X IS OPERATED
- 3 THE WINDINGS OF RELAY PC ARE CONNECTED DIFFERENTIALLY
- 4 V3 TERMINALS B1 TO B4 TO BE STRAPPED TO SHORT CIRCUIT RESISTORS (R1), (R2) AND/OR (R3) AS REQUIRED TO GIVE OPERATE LAG TO RELAY CR NEAREST BUT ABOVE 2 SECS
- 5 T3 TERMINALS 6 10 AND/OR 11 STRAPPED FOR FINAL TUNING ADJUSTMENT.
- 6 T2 TERMINALS 2 3 6 AND/OR 7 STRAPPED FOR GUARD RATIO ADJUSTMENT. STRAP BETWEEN TERMINALS 5 AND 9 TO BE DISCONNECTED WHEN REQUIRED.
- 7 U9 AND U11 TO MAKE CONTACT WHEN RELAY SET IS REMOVED
- 8 U5 & U7 AND U17 & U19 AND U18 & U20 AND U21 & U23 AND U22 & U24 AND U25 & U27 AND U26 & U28 AND U30 & U32 AND U29 & U31 AND U56 & U58 TO BE STRAPPED ON SHELF WIRING EXTERNALLY
- 9 PAD CONTROL FOR REPEATERED TRUNKS STRAP U55-U53 FOR UNREPEATERED TRUNKS OVER 3db NO STRAP FOR UNREPEATERED TRUNKS UNDER 3db STRAP U55-U57
- 10 Ø FOR WIRING OF RACK COMMON SERVICES FOR I/VF SYSTEM SEE GBW 12110 OR EQUIV
- 11 ALL WIRING TO BE 0.5mm UNLESS OTHERWISE SPECIFIED
- 12 WHEN CIRCUIT IS BATTERY TESTED INSERT LINK IN TJ7 & 8
WHEN CIRCUIT IS ABSENCE OF EARTH TESTED INSERT LINK IN TJ9 & 10.
TO BUSY BOTH TYPES OF CIRCUIT INSERT LINK IN TJ1 & 2
- 13 TO OBTAIN AN IMPULSE OUTPUT RATIO WITHIN THE SPECIFIED TEST LIMITS, STRAP OUT RESISTORS R30-R33 INDIVIDUALLY OR IN PARALLEL COMBINATIONS AS REQUIRED.
- 14 IN SOME RELAY SETS THE RESISTORS R1-R6 COMPRISING U1 ARE EQUIPPED ON A RESISTOR MOUNTING, AND THEIR DESIGNATIONS BECOME R23-R28 RESPECTIVELY
- 15 TERMINAL T2/13 IS NORMALLY CONNECTED TO T2/16. WHEN TEST CONDITIONS REQUIRE R29 INSTEAD OF R21, REMOVE WIRE FROM T2/16 AND CONNECT TO T2/15 IN SOME RELAY SETS RESISTOR R16 COMPRISES TWO RESISTORS OF 10K CONNECTED IN SERIES.

ETH R U11-U22-B21-B23-B1-B3-BB1-D8-PCa-CF1-CF4-SR21-T4/E-T3/E-T2/E-T1/E-R2a-TJ1-TJ13
 RX3b/RX5b/RX2b
 NEG BATT W U12-C8b-R4b-R6b-BBb-BB1-CDe-TXa-PCd-CFb-CFe-CRb-CRe-DDe-SPe-SRa-D3e-T2/12-T1/2-V2/2-V2/6-RGe-C7b-R13b-CBb-C6b-R1b-R3b-R22b-R18b
 RX4b

RETRACED	(85548)	5	14/07M C/JW
NOTE 16 ADDED NOTE 12 AMEND MINOR ANNOTS	5	20/77 B/SX	
AMENDMENT PARTICULARS	(63531)	1	12/61/2/2/0
ISS. DATE APPROPRIATE	155	DATE APPROPRIATE	
DRAWN CHECKED WIRING CIRCUIT			
GBW	12661	SIZE M	50V/5
NZPO		O/G LINE CIRCUIT	
		NZ SIGNALING SYSTEM.	
		A.C. No 2	

GBW 12661

VALVE HOLDER VIEWED FROM REAR