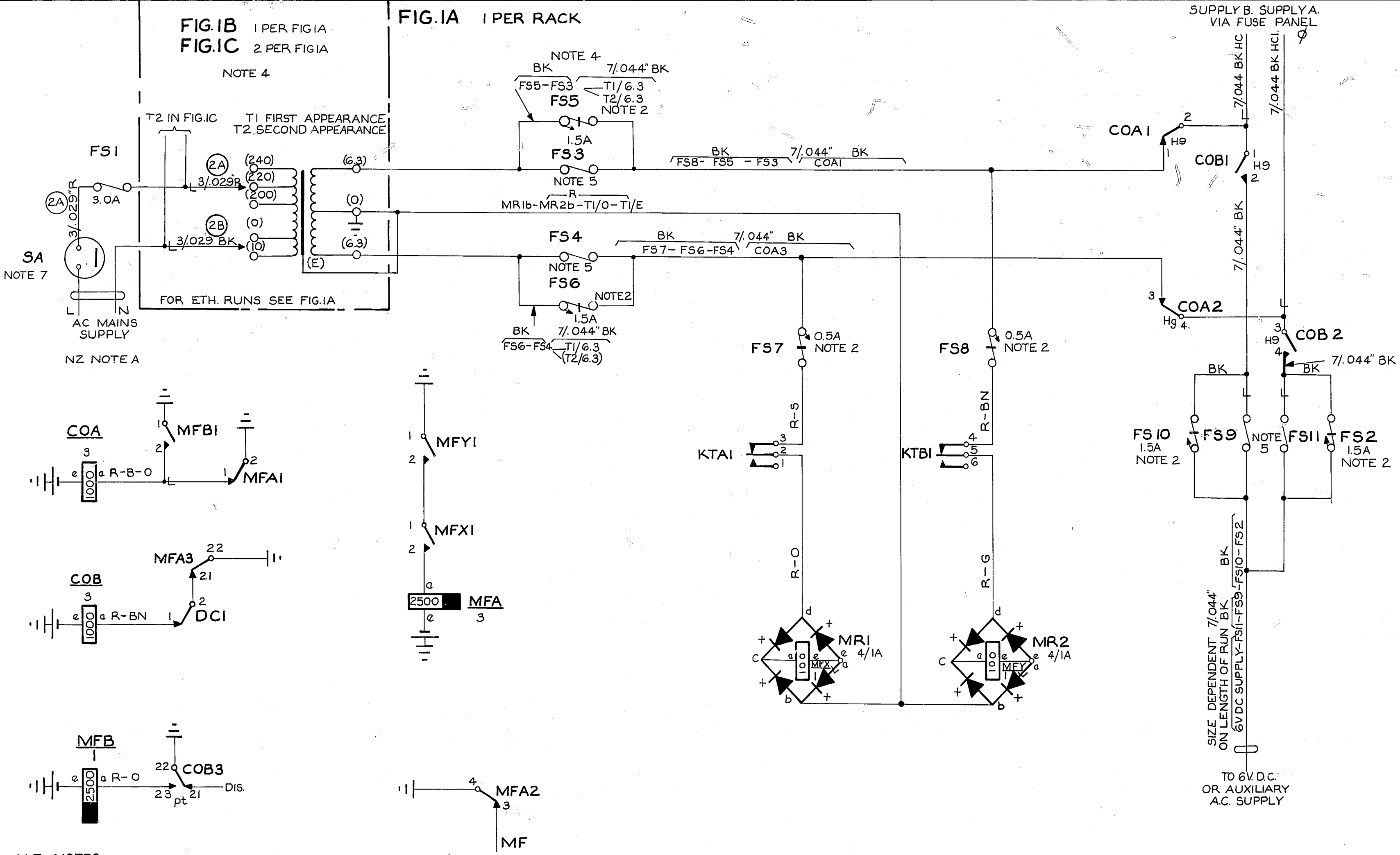


FIG. IB 1 PER FIG. A
FIG. IC 2 PER FIG. A

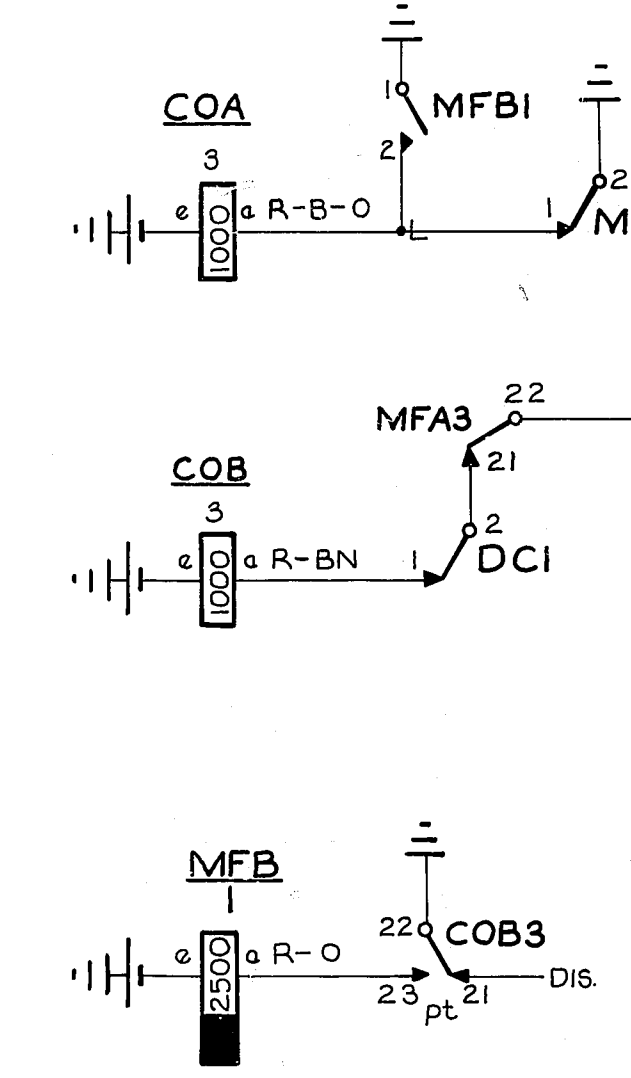
FIG. IA 1 PER RACK

NOTE 4



NOTE 7

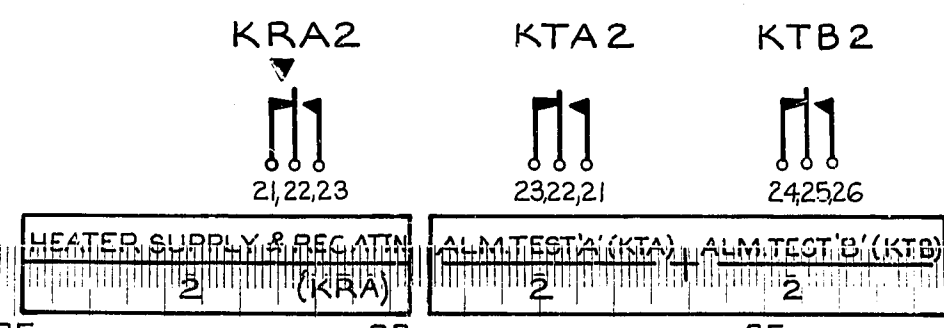
NZ NOTE A



N.Z. NOTES
 A. MAINS CONNECTION TO BE MADE TO ESSENTIAL SUPPLY WHERE THIS IS PROVIDED.

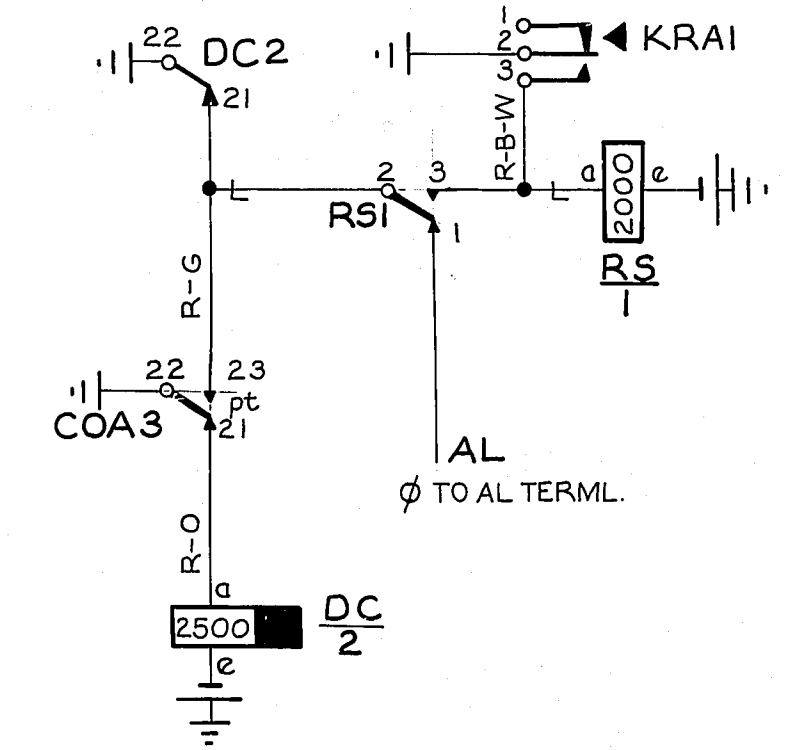
NOTES
 1. FUSING, NEG. BATT. 1.5A PER CIRCUIT.
 2. THE ALARM CONTACTS ON FUSES FS2, FS5, FS6, FS7, FS8 AND FS10 ARE NOT USED.
 3. Ø FOR WIRING OF RACK COMMON SERVICES FOR IVF SYSTEM SEE GBW.12110 OR EQUIV.
 4. WHEN 6.3 VOLT HEATER LOAD DOES NOT EXCEED 10 AMPS. PER FEED (i.e. 32 CCTS PER 2 FEEDS) FIGS. IA & IB ARE USED. WHEN 6.3 VOLT HEATER LOAD EXCEEDS 10 AMPS BUT DOES NOT EXCEED 20 AMPS. PER FEED (i.e. 33-66 CCTS. PER 2 FEEDS) FIG. IA & IC ARE USED, AND THE TWO TRANSFORMERS SUPPLIED FOR FIG. IO ARE CONNECTED IN PARALLEL.
 5. WHEN FIGS. IA & IB ARE PROVIDED FUSES FS3, FS4, FS9 AND FS11 ARE 10A. WHEN FIGS. IA & IC ARE PROVIDED FUSES FS3, FS4, FS9 AND FS11 ARE 20A.
 6. WIRING BEARING A COLOUR TO BE 0.7mm UNLESS OTHERWISE SPECIFIED. LOCAL PLATE WIRING TO BE 0.5mm.
 7. ON EARLY EQUIPMENTS SA WAS DOUBLE POLED.

BATT. BK (B) FUSE-RSe-MFAe-MFBe-DCe-COAE-COBe
 ETH. R (A) ETH. BAR-MFYI-MFA22-MFA2-MFA4-MFBI-DC22-KRA2-COA22-COB22
 7/044" R
 MAIN ETH. BAR-T1/O (FIGS. IB & IC)
 7/044" R
 MAIN ETH BAR-T2/O-T2/E (FIG. IC) WHEN REQUIRED



SUPPLY B. SUPPLY A. VIA FUSE PANEL

SIZE DEPENDENT 7/044" ON LENGTH OF RUN BK 6VDC SUPPLY-FS11-FS9-FS10-FS2 TO 6V.D.C. OR AUXILIARY A.C. SUPPLY



PROOF

RETRACED	(17015)	6C	5/12/79	
6V SUPPLY WAS DC ONLY	(2325)	6B	16/11/72	B.S.H
NZ NOTE A ADDED	(56989)	6A	3/3/67	D.J.B
FIG ID AND NOTE 8 DELETED	(74730)	6	13/8/63	D.B.H
FIG ID AND NOTE 8 ADDED	(66571)	5	21/3/63	D.B.H
KRA WAS LEVER TYPE KEY	(63525)	4	11/6/62	
7/044 CONNS WERE SHOWN 7/029(42381)		3	2/9/61	
NOTE 7 ADDED & FS1 CORRECTED	(35742)	2	10/1/61	
	(34006)	1	16/8/60	
AMENDMENT PARTICULARS		ISSUE	DATE	APD

6.3 VOLT AC HEATER SUPPLY WITH AC/DC CHANGEOVER FACILITY IVF SYSTEM SIZE A2 50V W

N.Z. P.O.	40	DRAWN	CHECKED	WIRING	CIRCUIT	GBW 12651

