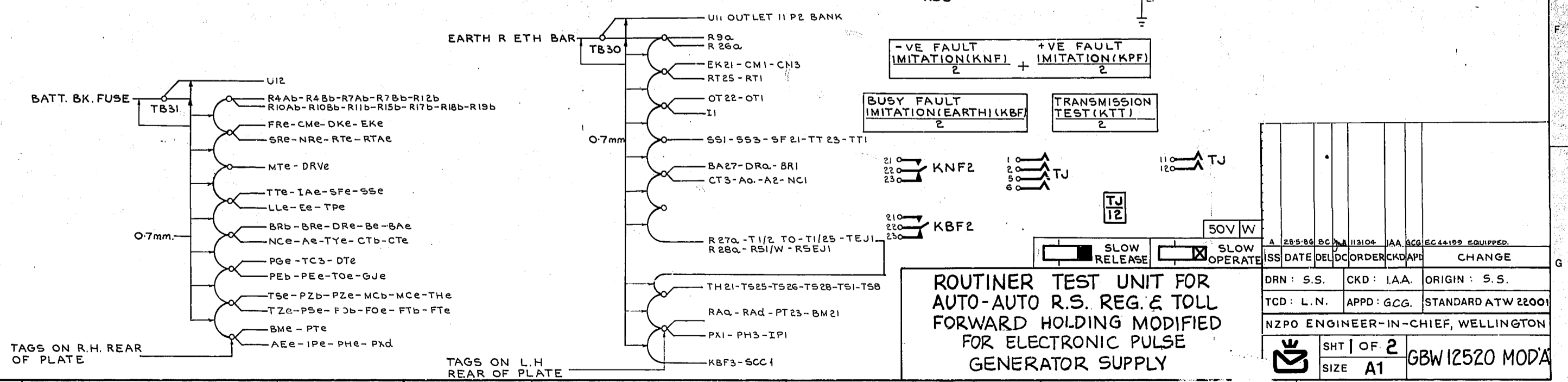


NOTES.

1. RELAY IA TO HAVE RELEASE LAG OF 30 MS APPROX.
2. RELAY TEST RESISTORS R22 & R23 ARE CORRECT FOR 49.5 VOLTS AT THE EQUIPMENT UNDER TEST
3. RELAY 'PE' TO HAVE RELEASE LAG OF 75 MS APPROX.
4. ALL WIRING TO BE 0.5mm UNLESS OTHERWISE SPECIFIED. WIRE COLOURS SHOWN IN BRACKETS THUS (R-B-O) APPLY ONLY WHEN INCLUDED IN LOCAL CABLE FORM. STRAPS ON ADJACENT UNISELECTOR BANK CONTACTS TO BE 0.5mm. B.T.C. AND SLEEVED WHEN NOT INCLUDED IN CABLE FORM.
5. Ø FOR WIRING SEE GBW 11560 OR EQUIV.

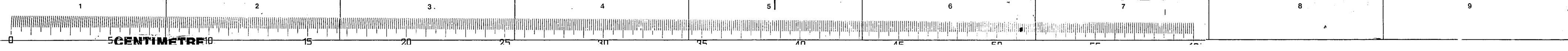
N.Z. NOTES

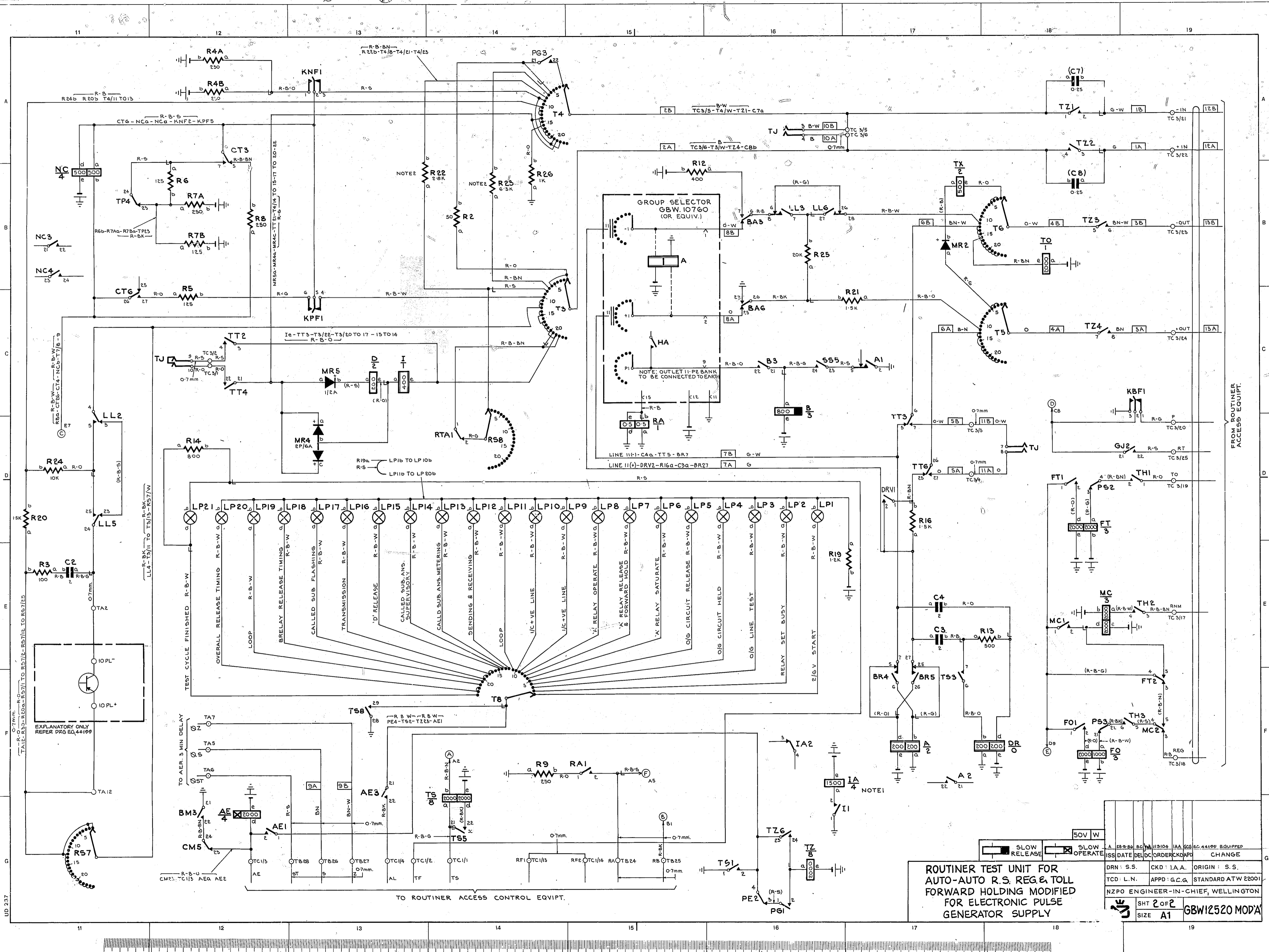
- A. OT-23 LEAD MOVED FROM R55/9 TO R55/10 TO EXTEND TIMING PERIOD OF ROUTINER TO ENSURE LESS CRITICAL TEST OF 'B' RELAY TIMING.



ISS DATE	DEL	ORDER	CHK	APP	CHANGE
DRN : S.S.	CKD : I.A.A.	ORIGIN : S.S.			
TCD : L.N.	APPD : G.C.G.	STANDARD ATW 22001			
NZPO ENGINEER-IN-CHIEF, WELLINGTON					
SHT OF 2		GBW12520 MODA			
SIZE A1					

UD 237





EXPLANATORY ONLY
REFER DRG EQ.44199

**ROUTINER TEST UNIT FOR
AUTO-AUTO R.S. REG & TOLL
FORWARD HOLDING MODIFIED
FOR ELECTRONIC PULSE
GENERATOR SUPPLY**

DRN: S.S.	CKD: I.A.A.	ORIGIN: S.S.
ISS DATE: 11/10/59	APPD: G.C.G.	STANDARD ATW 22001
SIZE: A1	GBW12520 MOD'A	

FROM ROUTINER
ACCESS EQUIPT.

TO ROUTINER ACCESS CONTROL EQUIPT.

UD 237