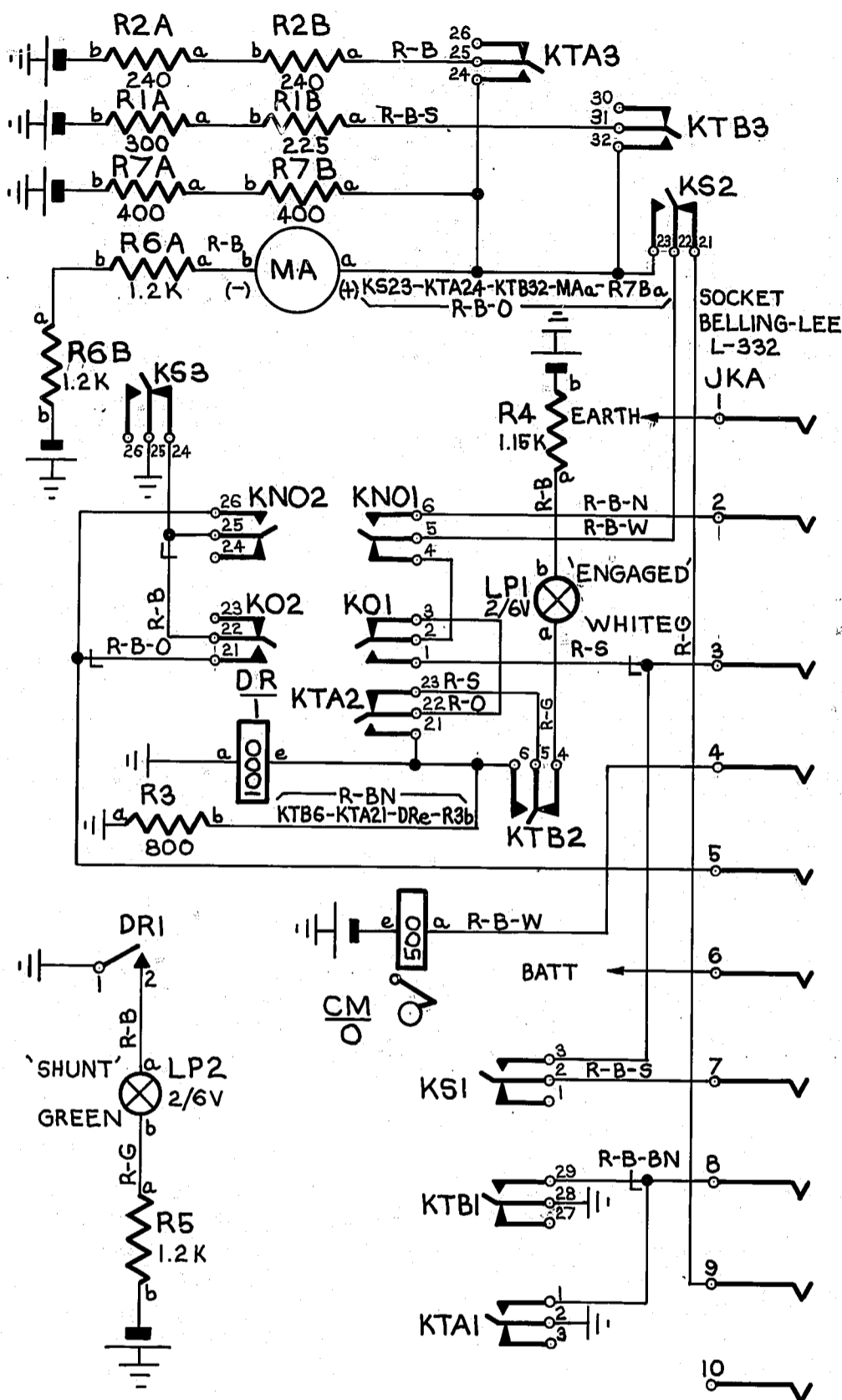


**FIG 1A**

TEST BOX



BATT. BK. JKA6-R1Ab-R5b-R2Ab-R6Bb-R4b-R7Ab-CME  
EARTH. R. JKA1-R3a-DRa-DRI-KS25-KTA2-KTB2B

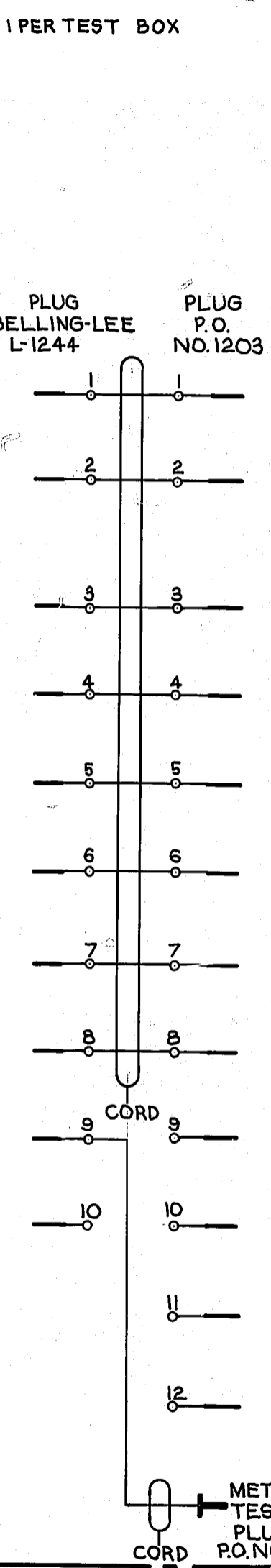
$$\frac{\text{SHUNT TEST 7A(KTA)}}{3} + \frac{\text{SHUNT TEST 7A(KTB)}}{3}$$

$$\frac{\text{OPERATE (KO)}}{2} + \frac{\text{NON-OPERATE (KNO)}}{2} \quad \frac{\text{SET(KS)}}{3}$$

- NOTES:-
1. FUSING FIG2B .5A ON F.P.R. OR A.E.R.
  2. TESTING SPEED APPROX.10 IMPULSES PER 4 SECONDS.
  3. FIG.1 ALL WIRING TO BE 0.6mm .FIG.2 ALL WIRING TO BE 0.9mm UNLESS OTHERWISE SPECIFIED.Plate WIRING TO BE 0.6mm OR 0.5mm
  4. c-11th STEP CONTACTS  
d- ARMATURE CONTACTS
  5. Ø FOR WIRING SEE G.B.W. 10860 OR EQUIV.

**FIG 1B**

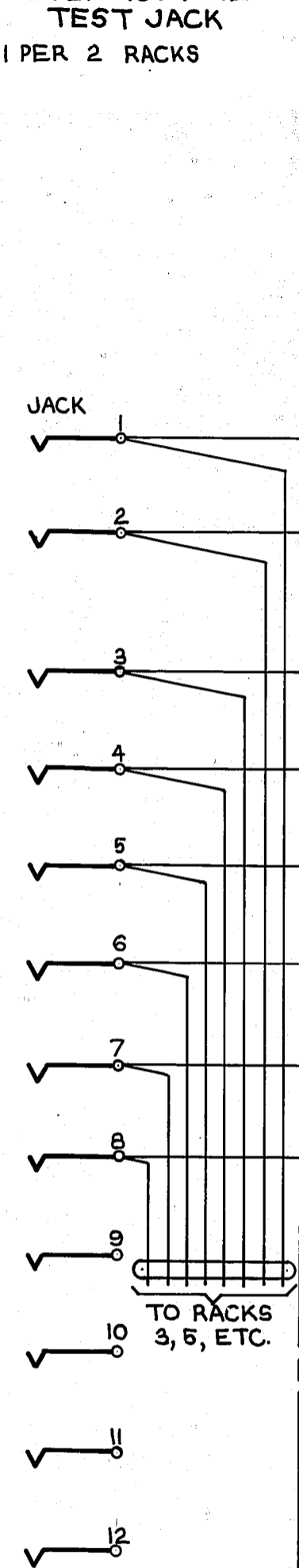
PLUGS AND CORDS



METER TEST PLUG P.O. NO.24

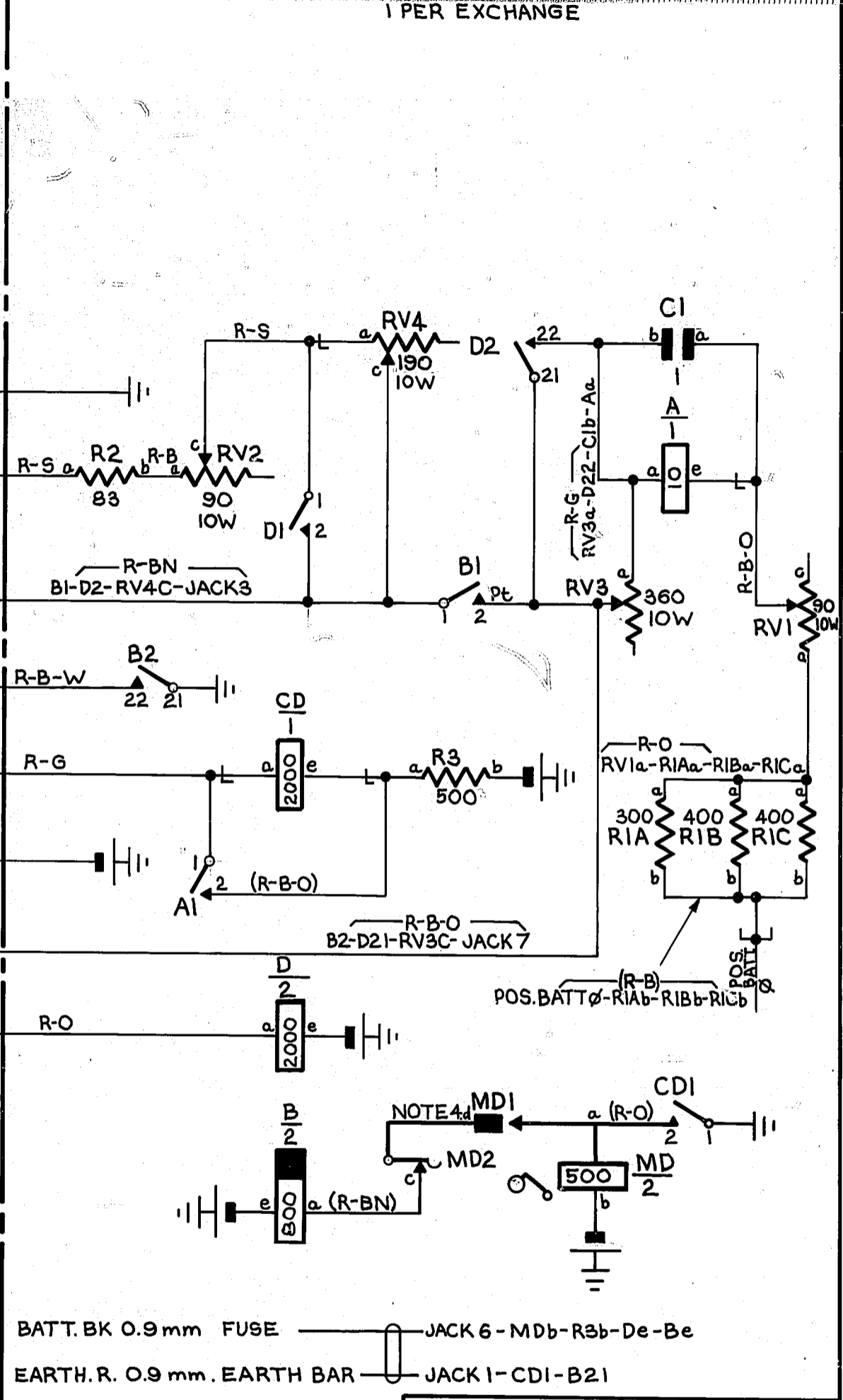
**FIG 2A**

METER ROUTINE TEST JACK



**FIG 2B**

METER ROUTINE TEST CIRCUIT



BATT. BK 0.9mm FUSE  
EARTH. R. 0.9mm. EARTH BAR

**OBSOLETE**



TEST BOX AND ROUTINE TEST CCT. FOR SUBSCRIBERS METERS BOOSTER BATTERY METERING ROTARY TYPE EXCHANGE.

AMENDMENT	PARTICULARS	ISSUE	DATE	APP
	RETRACED	(154596)	3A	15-5-78 RED
	OBSOLESCENCE NOTE ADDED	(50653)	3	14-12-62 D-B-H
	BELLINGLEE PLUG AND SOCKET TAGS 11&12 DELETED	(67434)	2	28-6-56 AWH
			1	

SIZE **S** 50V W

**GBW 12500**

N.Z.P.O. DRAWN GB CHECKED RHH WIRING CIRCUIT L.A.L.