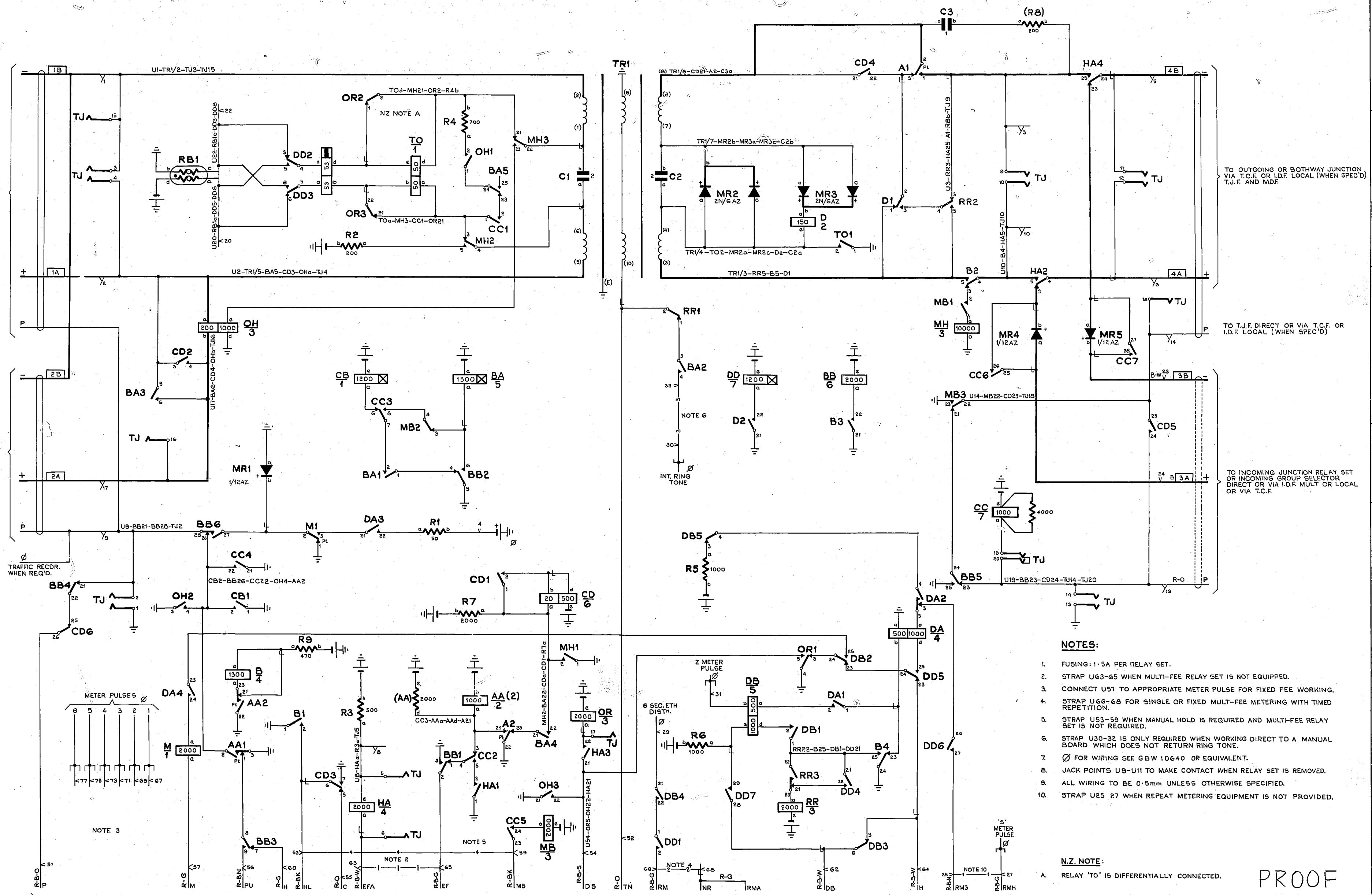


FROM REGULAR GROUP SELECTOR LEVEL DIRECT OR VIA T.D.F. O/G OR T.C.F. OR I.D.F. MULT. OR LOCAL

FROM INCOMING OR TOLL GROUP SELR. LEVEL DIRECT OR VIA T.D.F. O/G OR T.C.F. OR I.D.F. MULT. OR LOCAL



TO OUTGOING OR BOTHWAY JUNCTION VIA T.C.F. OR I.D.F. LOCAL (WHEN SPEC'D) T.J.F. AND M.D.F.

TO T.J.F. DIRECT OR VIA T.C.F. OR I.D.F. LOCAL (WHEN SPEC'D)

TO INCOMING JUNCTION RELAY SET DIRECT OR VIA I.D.F. MULT. OR LOCAL OR VIA T.C.F.

NOTES:

1. FUSING: 1.5A PER RELAY SET.
2. STRAP U63-65 WHEN MULTI-FEE RELAY SET IS NOT EQUIPPED.
3. CONNECT U57 TO APPROPRIATE METER PULSE FOR FIXED FEE WORKING. STRAP U66-68 FOR SINGLE OR FIXED MULTI-FEE METERING WITH TIMED REPETITION.
4. STRAP U53-59 WHEN MANUAL HOLD IS REQUIRED AND MULTI-FEE RELAY SET IS NOT REQUIRED.
5. STRAP U30-32 IS ONLY REQUIRED WHEN WORKING DIRECT TO A MANUAL BOARD WHICH DOES NOT RETURN RING TONE.
6. FOR WIRING SEE GBW 10640 OR EQUIVALENT.
7. JACK POINTS U9-U11 TO MAKE CONTACT WHEN RELAY SET IS REMOVED.
8. ALL WIRING TO BE 0.5mm UNLESS OTHERWISE SPECIFIED.
9. STRAP U25 27 WHEN REPEAT METERING EQUIPMENT IS NOT PROVIDED.

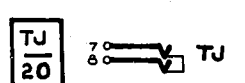
N.Z. NOTE:

- A. RELAY 'TO' IS DIFFERENTIALLY CONNECTED.

PROOF

TO MULTI-FEE RELAY SET GBW 12290 OR EQUIV. WHEN REQ'D. (NOTE 5).

TO REPEAT METERING EQUIP. GBW 12450 OR EQUIV. WHEN REQ'D.



BATT. BK 0.7mm FUSE (5B) U12 EARTH R. 0.7mm EARTH BAR (5B) U16
 BATT. W. U12-CB2-RR2-MB2-R9b-RB1b-BA2-BB2-DD2-CD2-CC2-OR2-AA2-AA(2)-R5b-R6b-R7b-R2b-R3b.
 EARTH. R. U11-TR1/9-TR1E-CB1-M1-TO1-MH1-MH1-B21-B24-B1-DA2-HA1-MB23-MR1a-BB25-BB3-BB5-CD7-CC21-OR4-OH21-OH4-OH3-D21-AA22-AA3-A22-RB1d-TJ1-TJ13
 POS. BATT. R-B. U4-R1b

50V		E	<input type="checkbox"/> SLOW RELEASE	<input checked="" type="checkbox"/> SLOW OPERATE
OUTGOING JUNCTION RELAY SET				
TO AUTO. OR MANUAL EXCHANGE				
(AUTOMATIC MINOR EXCHANGE)				
ISS DATE	DELDC	ORDER	CHKD	APD
DRN: T-EQPT	CKD	ORIGIN: T-EQPT		
TCD: E.U.	APPD	STANDARD: ATW22001		
NZPO ENGINEER-IN-CHIEF, WELLINGTON				
SHT 1 of 1		GBW 12460		
SIZE A1				

NOT TO BE USED FOR NEW WORK.

10423-373	-	89547	-	B3HIN 2	NOTE A ADD.
1016-45	-	8793	-	U11	NOTE 11 5 BAND
17-10-63	-	65353	-	DB1	STRAP U53-59 WAS 59-61 NOTE 2
6-2-63	-	70-660	-	DB1	