

0
5 Centimetres
10
15
20
25
30

FIG. 1 B
1 PER RACK

FIG. 1 60V FUSE ALARM

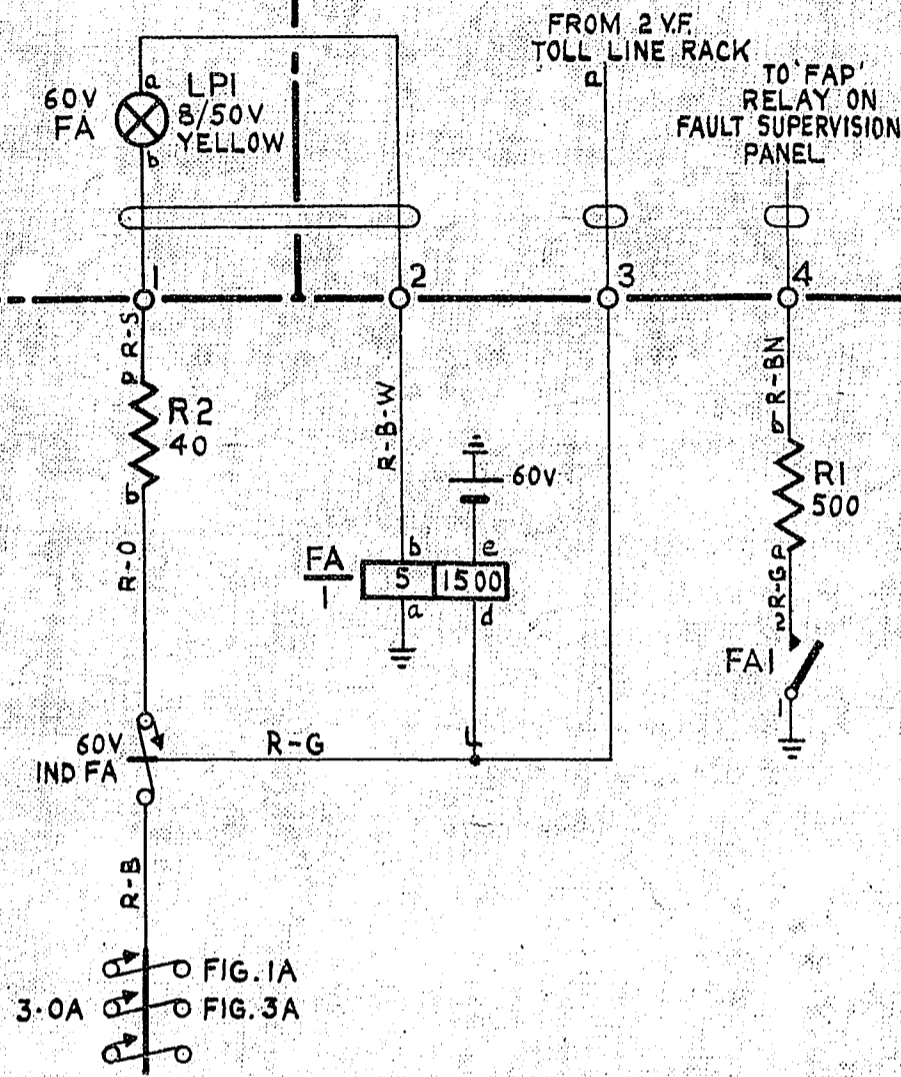


FIG. 2 B
1 PER RACK

FIG. 2 50V FUSE ALARM

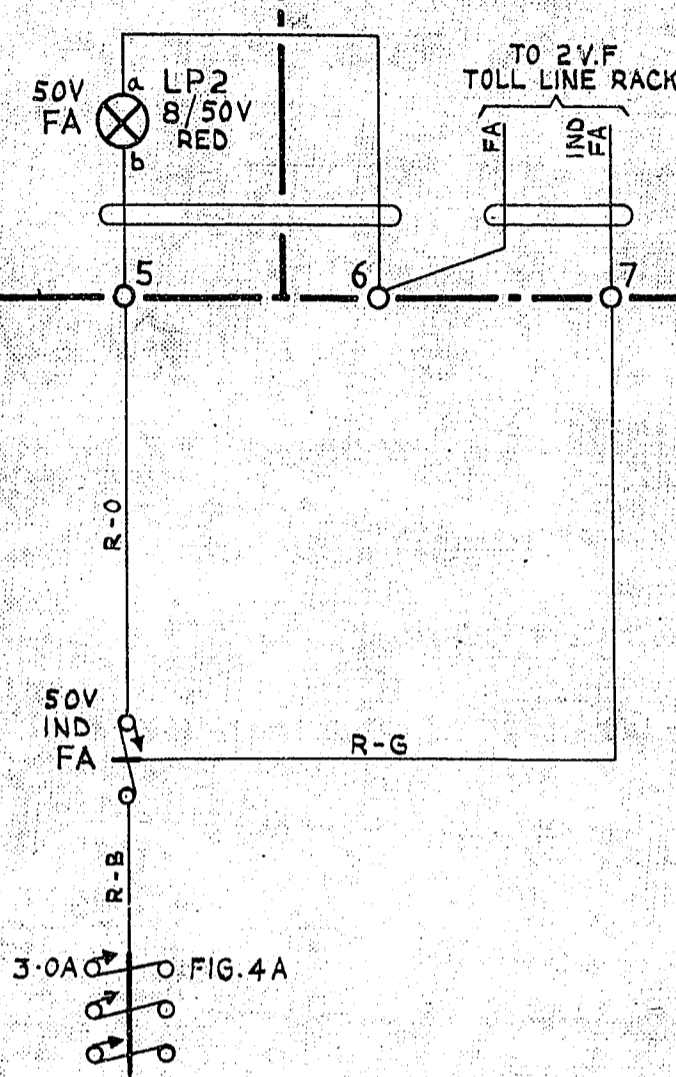


FIG. 3 60V
BATTERY JACKS

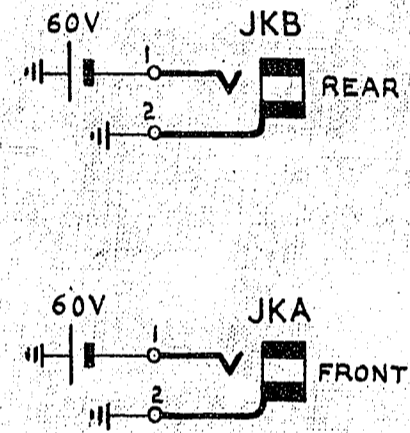


FIG. 4 50V
BATTERY JACKS

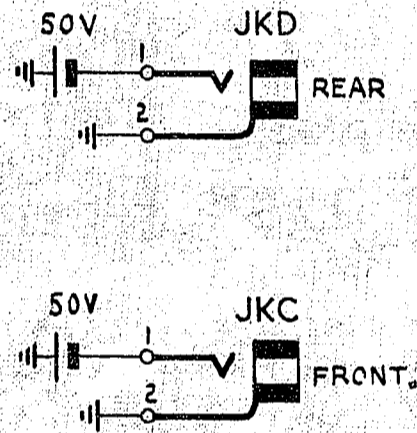


FIG. 1 A
1 PER RACK

BATT. BK. FUSE - FAe
ETH. R. ETH. BAR - FAa-FAI
IA

FIG. 2 A
1 PER RACK

FIG. 3 A
1 PER RACK

BATT. BK. FUSE - JKA1-JKB1
ETH. R. ETH. BAR - JKA2-JKB2
2A

FIG. 4 A
1 PER RACK

BATT. BK. FUSE - JKC1-JKD1
ETH. R. ETH. BAR - JKC2-JKD2
3A

- NOTES: 1. ALL TERMS UNLESS OTHERWISE SPECIFIED ARE ON MISC. STRIP CONN.
2. ALL WIRING NOT OTHERWISE SPECIFIED TO BE 20 SWG.



FUSES NOT OTHERWISE SPECIFIED TO BE 1-5A

FUSES NOT OTHERWISE SPECIFIED TO BE 1-5A

RACK COMMON SERVICES											
MISC. APPARATUS RACK											
(2 V.F. EQUIPMENT)											
SIEMENS NO16 EXCHANGES											
								SIZE S		S	
AMENDMENT PARTICULARS								ISSUE DATE	APPO		
N.Z.P.O.								DRAWN	CHECKED	WIRING	CIRCUIT
								Mo	FJO	WJA	E.A.B

GBW 12420