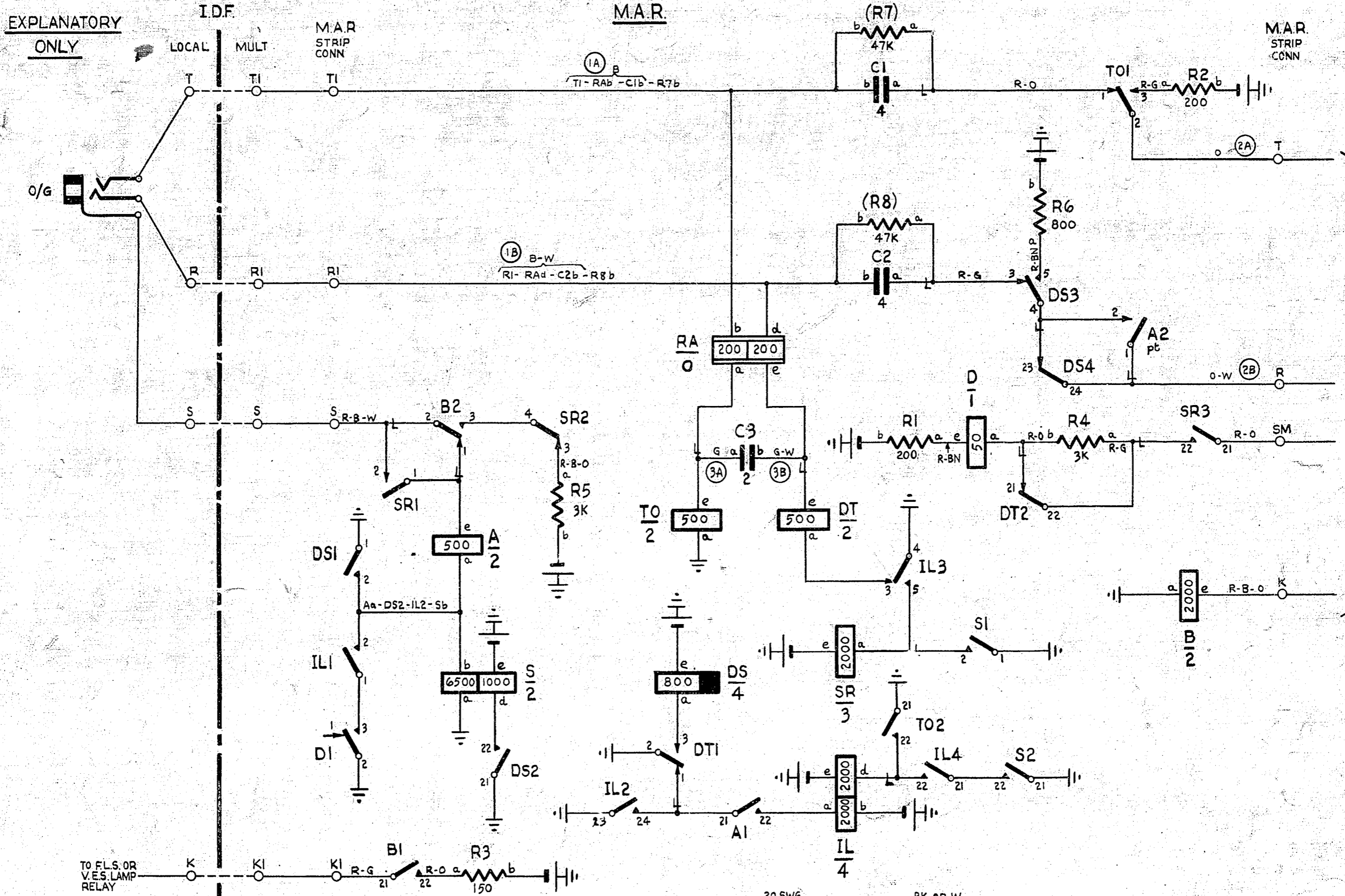


0
5 Centimetres
10
15
20
25
30



NOTES:- 1. FUSING 1.5A PER CIRCUIT.
2. WIRING LOCAL TO PLATE TO BE 23 OR 25 SWG. ALL OTHER WIRING TO BE 23 SWG UNLESS OTHERWISE SPECIFIED.

BATT FUSE - R5b - R6b - R1b - R2b - R3b - DSe - ILb - ILc - Se - SRc
ETH BAR Ba - D2 - DS21 - DS1 - DT2 - IL23 - IL4 - S21 - Sa - S1 - TO21 - TOa
20 SWG. R

RI WAS 450 OHMS	(67139)	2	4.5.56	cut
	(31665)	1	4.5.54	cut
AMENDMENT PARTICULARS		ISSUE	DATE	APPD
N.Z.P.O.		DRAWN P.P.	CHECKED E.J.O.	WIRING CIRCUIT M.A.

SLOW RELEASE SLOW OPERATE
MANUAL BOARD
OUTGOING ADAPTOR CIRCUIT
FOR BOTHWAY 2VF TOLL LINE
FOR
EXCHANGES WITH SLEEVE DIALLING
GBW 12400
 SIZE S 50V S