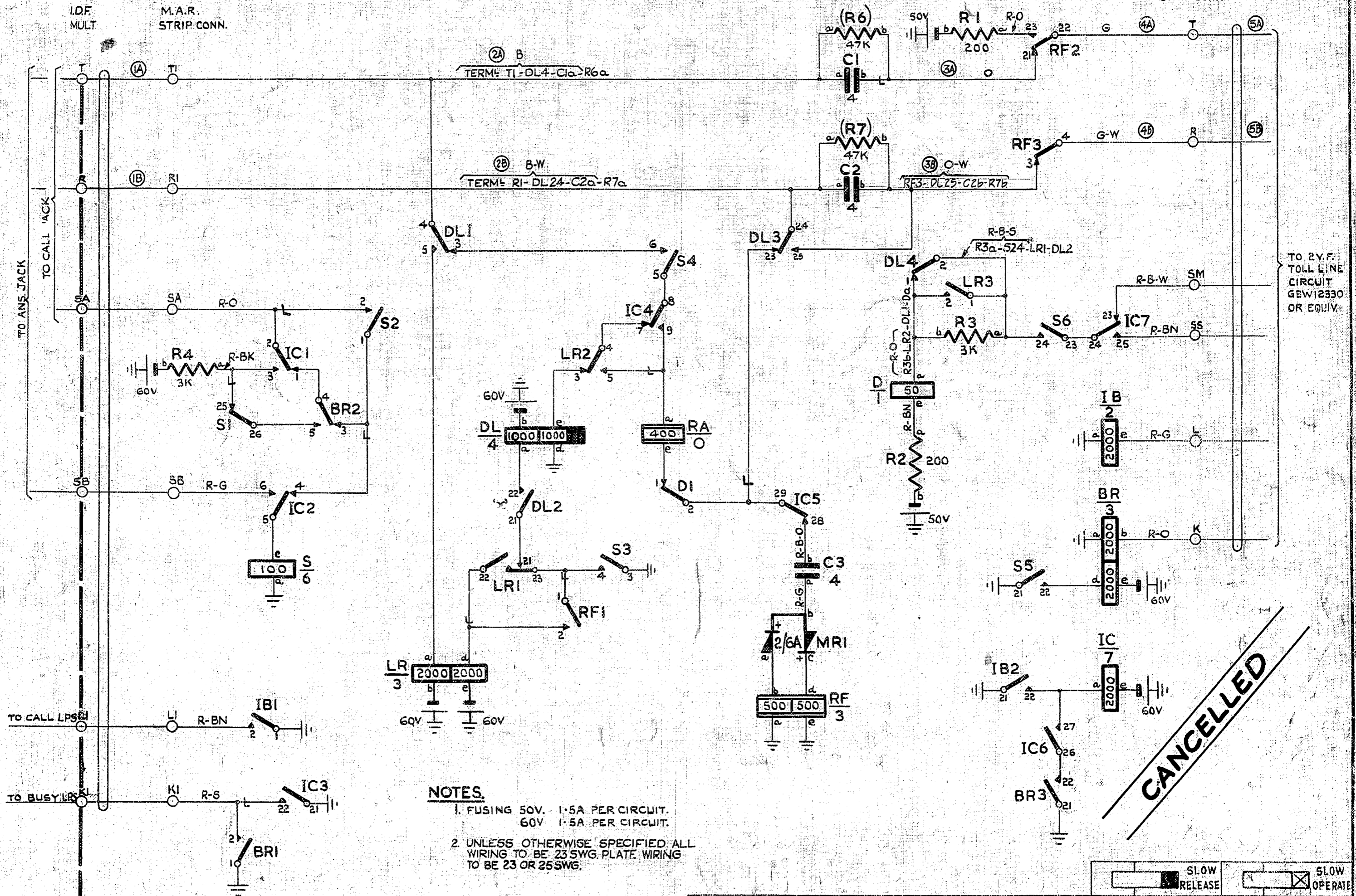


0
5 Centimetres
10
15
20
25
30

M.A.R.

M.A.R. STRIP CONN



TO 2V.F. TOLL LINE CIRCUIT GEW12330 OR EQUIV.

NOTES.

1. FUSING 50V. 1.5A PER CIRCUIT.
60V 1.5A PER CIRCUIT.
2. UNLESS OTHERWISE SPECIFIED ALL WIRING TO BE 23 SWG. PLATE WIRING TO BE 23 OR 25 SWG.

ETH. 20 SWG. R. (A) ETH. BAR - 3Ra-3R21-3R1-DLd-IBa-IB21-IB1-IC21-RFa-RFe-Sa-521-53.
 BATT. 20 SWG BK (B) 60V FUSE - BRc-DLb-ICc-LRe-LRb-R4b.
 BATT. 20 SWG BK 50V FUSE - R1b-R2b.

CANCELLED

SLOW RELEASE SLOW OPERATE

MANUAL BOARD ADAPTOR CIRCUIT FOR BOTHWAY 2V.F. TOLL LINE SIEMENS No 16 EXCHANGES			
DIAGRAM CANCELLED	(53402)	3	22.7.66
R5 DELETED	(66487)	2	6.3.63 DBH
	(31671)	1	4.5.54 CW
AMENDMENT PARTICULARS	ISSUE	DATE	APPD
N.Z.P.O.	DRAWN	CHECKED	WIRING CIRCUIT
			SIZE S 50V & 60V S
			GBW 12390