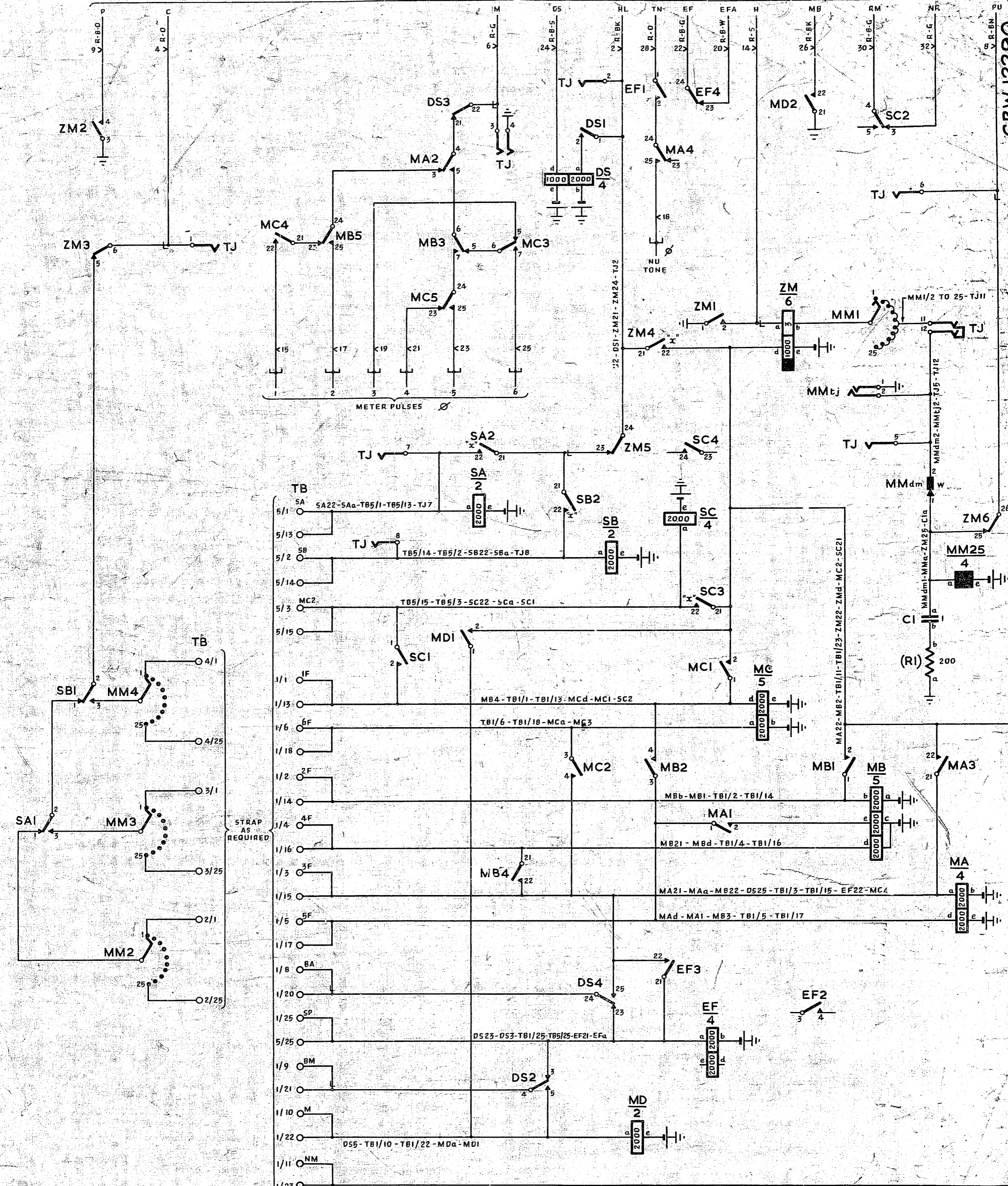


TO OUTGOING JUNCTION RELAY SET GBW12460 OR EQUIV.

GBW 12290

0
5 Centimetres
10
15
20
25
30
35
40
45
50
55
60



BATTERY WHITE U12-5Ae-MAb-MAe-MBa-MBc-DSb-DSe-MMe-MDe-ZMe-EFb-
MCb-MCe-SCe-5Bc
EARTH RED U11-MMej1-MD21-ZM1-ZM3-R1a-TJ4

BATTERY BLACK 20 SWG FUSE (18) U12
EARTH RED 20 SWG ETH BAR (1A) U11

- NOTES**
1. FUSING :- FUSED WITH ASSOCIATED JUNCTION RELAY SET.
 2. ALL WIRING TO BE 23 SWG UNLESS OTHERWISE SPECIFIED. RELAY SET WIRING TO BE 25 SWG.
 3. ∅ FOR WIRING SEE GBW10640 OR EQUIVALENT.
 4. JACK POINTS U9 & U11 TO MAKE CONTACT WHEN RELAY SET IS REMOVED.
 5. THIS CIRCUIT IS SUPERSEDED BY GBW13500.

SLOW RELEASE SLOW OPERATE
MULTI-FEE RELAY SET
 A.M.X.
 NOTE 5.

REDRAWN, SD, K, KR & KK DELETED, SC RE-CONN. (662)	3	18/05/53	W
AMENDMENT PARTICULARS	ISSUE DATE	APPD.	

SIZE M 50V 1E

GBW 12290

NZPO DRAWN CHECKED WIRING CIRCUIT
 TJ 14