

0
5 Centimetres
10
15
20
25
30

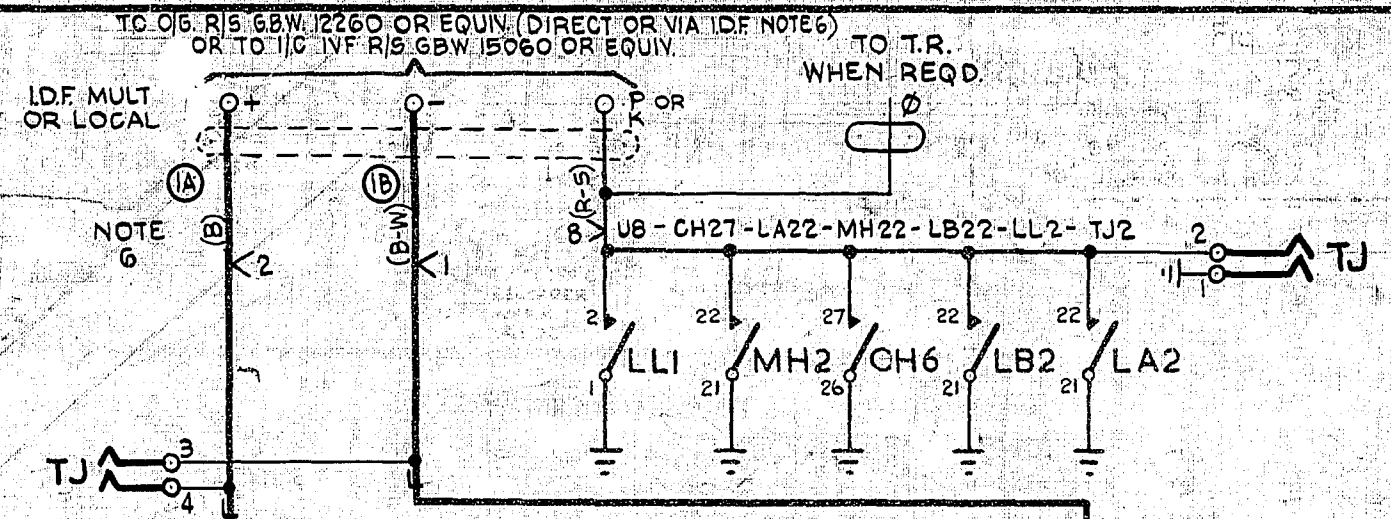


FIG. 1A

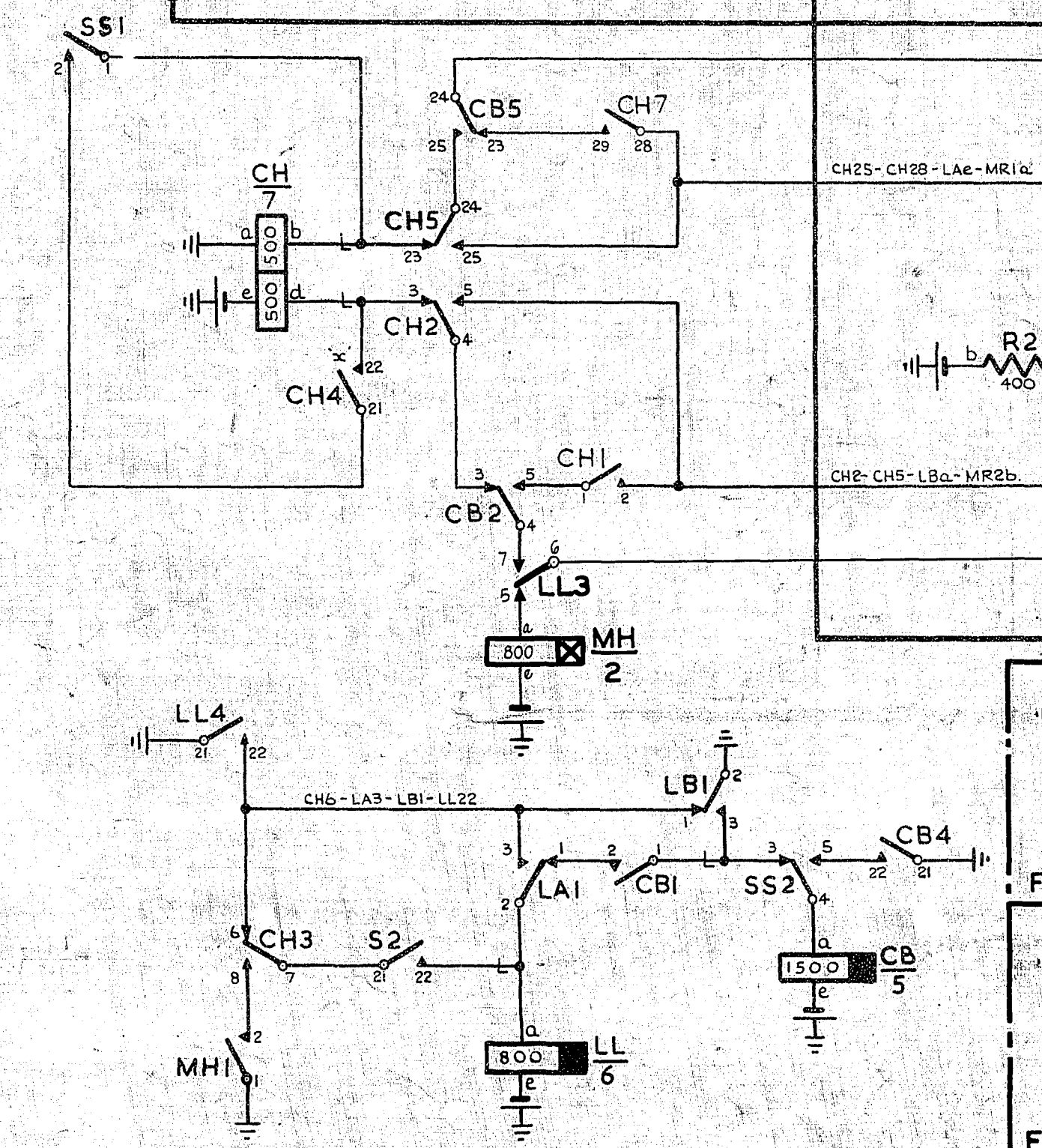
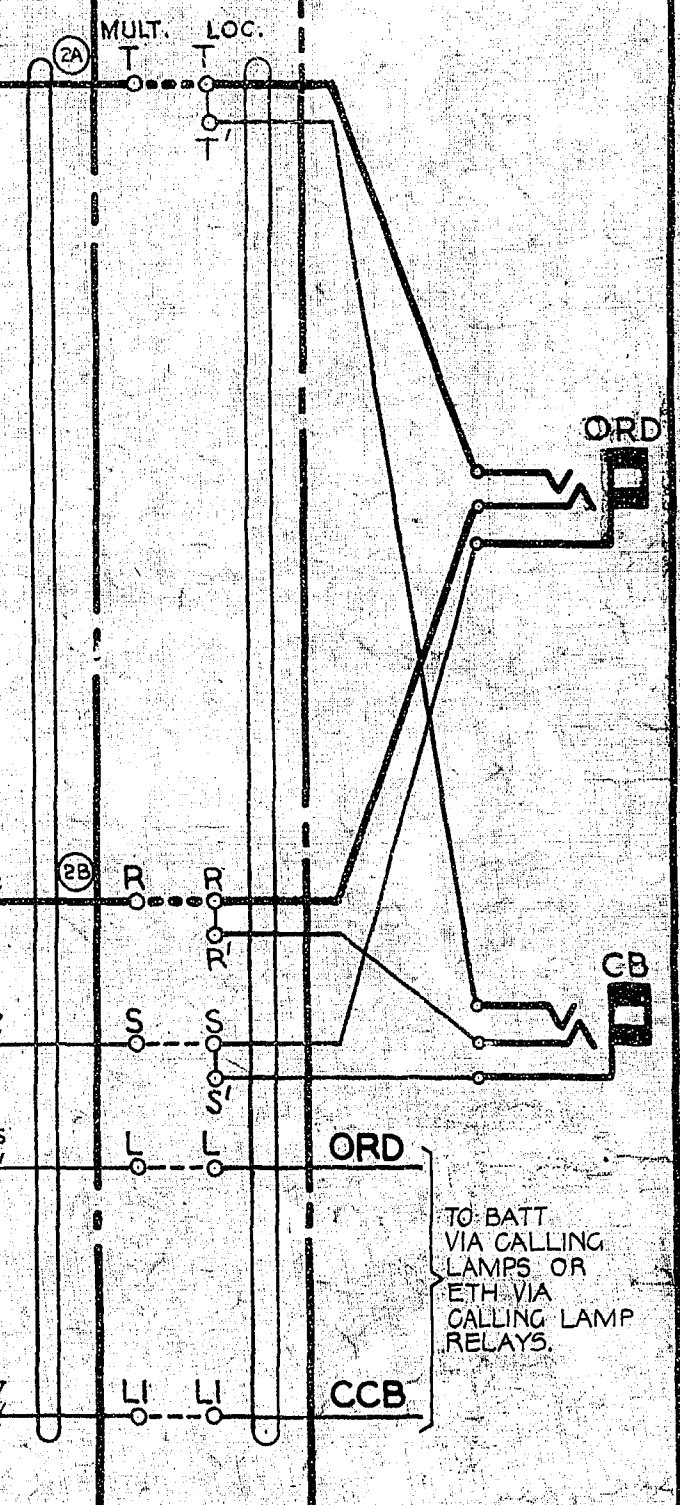


FIG. 1B

FIG. 1C

FIG. 2. I.D.F.

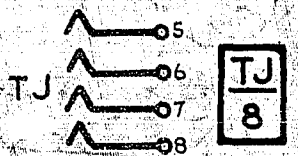
MANUAL BOARD.
(EXPLANATORY ONLY)



NOTES

1. FUSING 1.5A. PER RELAY SET.
2. ALL WIRING TO BE 25 SWG UNLESS OTHERWISE SPECIFIED.
3. Ø FOR WIRING SEE GBW 10640 OR EQUIV.
4. FIG. 3 IS REQD. ONLY WHEN CCT. IS CONND. TO 1-VF EQUIP.
5. WHEN BATT. CONNECTED CALLING LAMPS ARE FITTED SPECIFY FIG. 1A & 1B & CONNECTION -X- WHEN ETH. CONNECTED LAMP RELAYS ARE FITTED SPECIFY FIG. 1A & 1B & CONN -O- COLOURS APPLY WHEN R/S IS DIRECTLY WIRED TO GBW 12660 OR EQUIV.

BATT. BK 22 SWG. FUSE (3A) U12
ETH. R 22 SWG. ETH. BAR (3A) U11 6



FIGS. 1A (BATT. W. - U12-CHe-MHe-CBe-LBe-LLe-R1b-R2b) FIGS. 1B (BATT. W. U12-CHe-55e-MHe-CBe-LBe-LLe-R2b)
& 1C (ETH. R - U11-TRI/E-CH26-CHa-LA21-LAa-Sa-SSa-1A) (ETH. R U11-TRI/E-CH26-CHa-LA21-LAa-Sa-S1-MH21-MH1-CB21-LB21-LB2-LL21-LL23-LL1-TJ1)

TERMINATIONS MODIFIED, FIG. 3 DEL., NOTE 6 ADDED (13225)		4	24-2-70	RW
FIG. 1 SECTIONALIZED & NOTE 5 ADDED (41342)		3	14-4-61	WLB
TREC. LEAD NOTES 3 & 4 & FIG. 3 ADDED (35569)		2	28-11-60	JA
		1	11-11-52	cmw
(11244)				
AMENDMENT PARTICULARS	ISSUE DATE APP.			
N.Z.P.O.	DRN. <i>JA</i> CHK	WIRING	CIRCUIT	

SLOW RELEASE SLOW OPERATE

JUNCTION RELAY SET
I/C TOLL DEMAND FROM A.M.X.
W.E. TYPE TOLL BOARD
2000 TYPE

SIZE S 50V W

GBW 12250