

30

25

20

15

10

Centimetres

0

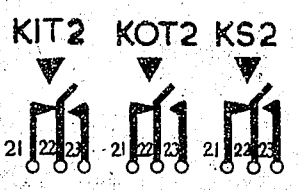
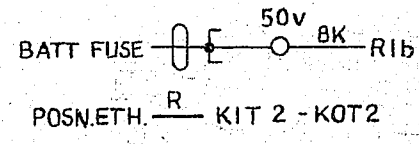
PRINTED IN ENGLAND BY STANDARD TELEPHONES & CABLES LTD. LONDON

N.Z.T.C.	DRAWN	CHECKED	WIRING	CIRCUIT	AMENDMENT PARTICULARS		SE AND SO DESIGNATIONS TRANSPOSED (8099)		
					ISSUE	DATE	APPD		
							(8216)	1	7.4.52
								2	16.6.52

FIG. I A TEST DESK
 1 PER TEST FINAL
 PER POSN.



- NOTES:**
1. FUSING 1.5A PER CIRCUIT PER SUITE
 2. ALL WIRING 23 SWG. UNLESS OTHERWISE SPECIFIED.



STEPPING (KS)	2
IN TESTING (KIT)	2
OUT TESTING (KOT)	2

TEST DESK
 LINES TO TEST FINAL
 SELECTORS (ROTARY)

SLOW RELEASE

SLOW OPERATE

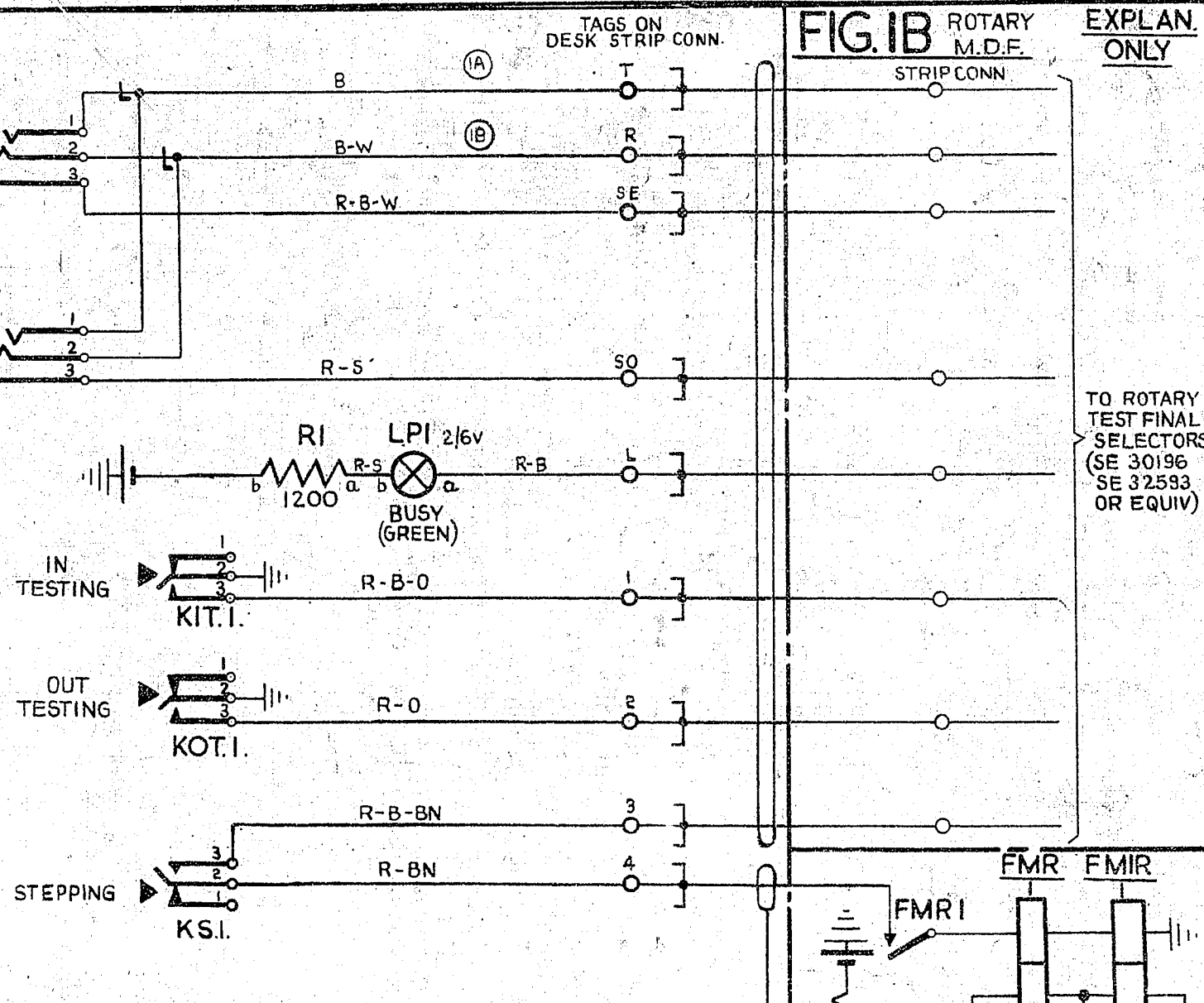
GBW 12220

SIZE F 50v W

V.123

FIG. I B ROTARY M.D.F.

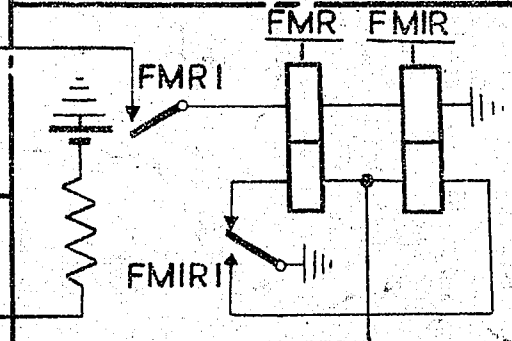
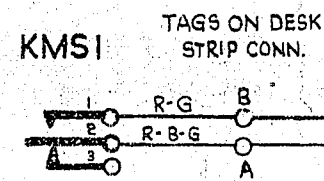
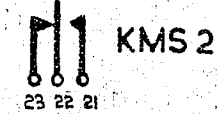
EXPLAN. ONLY



TO ROTARY TEST FINAL SELECTORS (SE 30196 SE 32593 OR EQUIV)

FIG. I D TEST DESK
 1 PER POSN.

MSTR. STEPPING (KMS)	2
----------------------	---



EXPLANATORY SUPPLIED BY N.Z. P.O.

FIG. I C.