

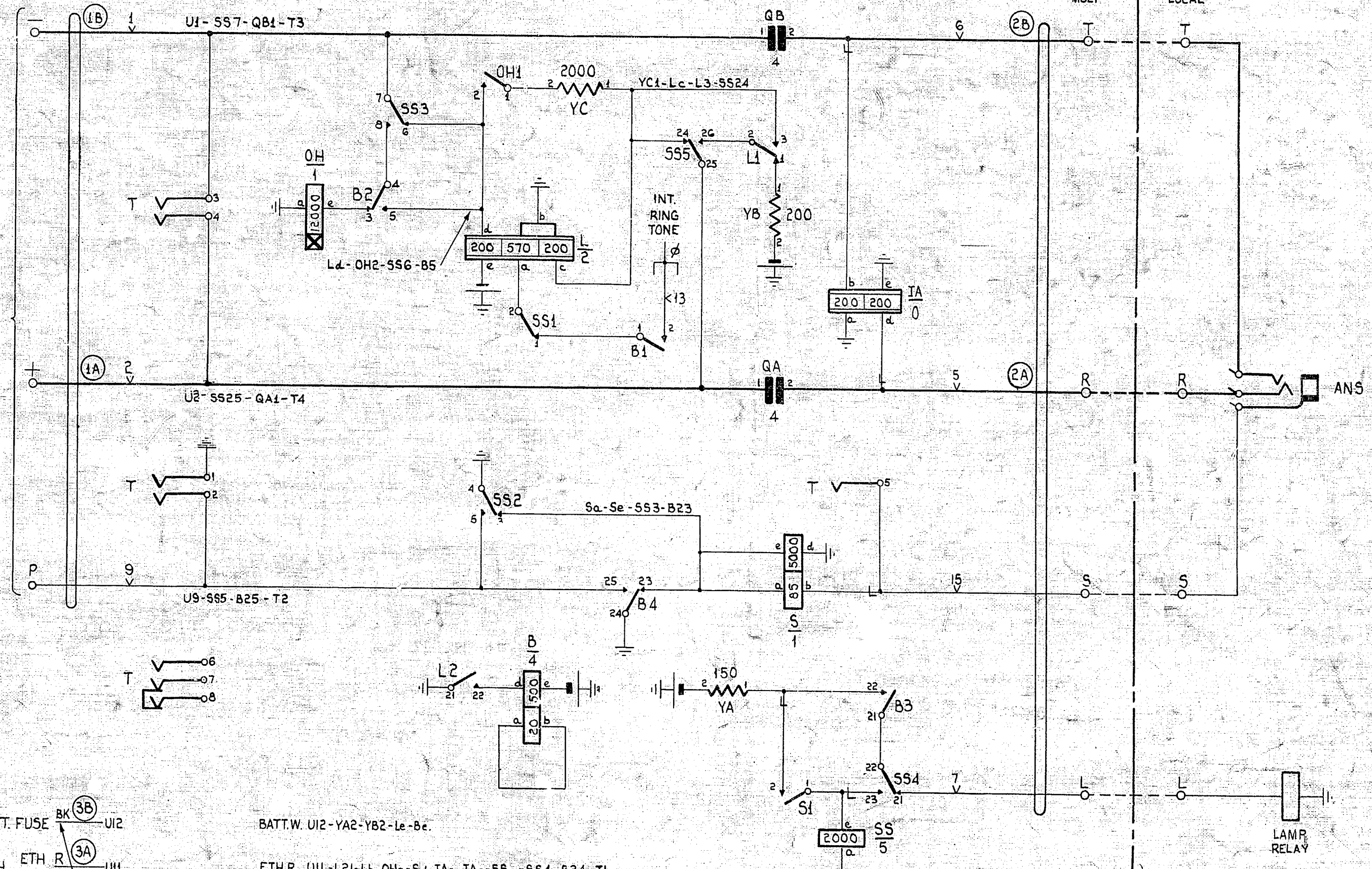
D.F. MULT.
OR
T.D.F. Q/G

MANUAL BOARD
EXPLANATORY ONLY

IDF

MULT

LOCAL



BATT. FUSE BK (3B) U12
ETH. R (3A) U11
20 SWG.

BATT.W. U12-YA2-YB2-Le-Bc.
ETH.R. U11-L21-Lb-OHa-Sd-IAa-IAe-SSa-SS4-B24-T1

NOTE 3 :-

1. FUSING 1.5A PER CIRCUIT.
2. SHELF JACK "U" POINTS 9&11 TO MAKE CONTACT WHEN RELAY SET IS REMOVED.
3. ALL WIRE TO BE 25 SWG. UNLESS OTHERWISE SPECIFIED.
4. \emptyset FOR WIRING SEE G.B.W. 10640 OR EQUIVALENT.

SUPERCEDED BY GBW 14980 FOR NEW WORK.

SUPERCESSION NOTE ADDED (41933)				T	
REDRAWN 'IA&CONN,SS3 TO B23 ADDED 'SICDIL AMENDED (6698U)				8	
AMENDMENT PARTICULARS	ISSUE	DATE	APPD	SIZE	C
				S	50%
<p>SELECTOR LEVEL RELAY SET. LOCAL & INCOMING LEVELS IN MAIN EXCHANGE S.C.S. 2000 TYPE.</p>					
<p>N.Z.P.O.</p>				<p>GBW 12180</p>	