

FIG. 1A SUBSCRIBERS TAPPING RELAY SET.

8 CIRCUITS PER BASE.

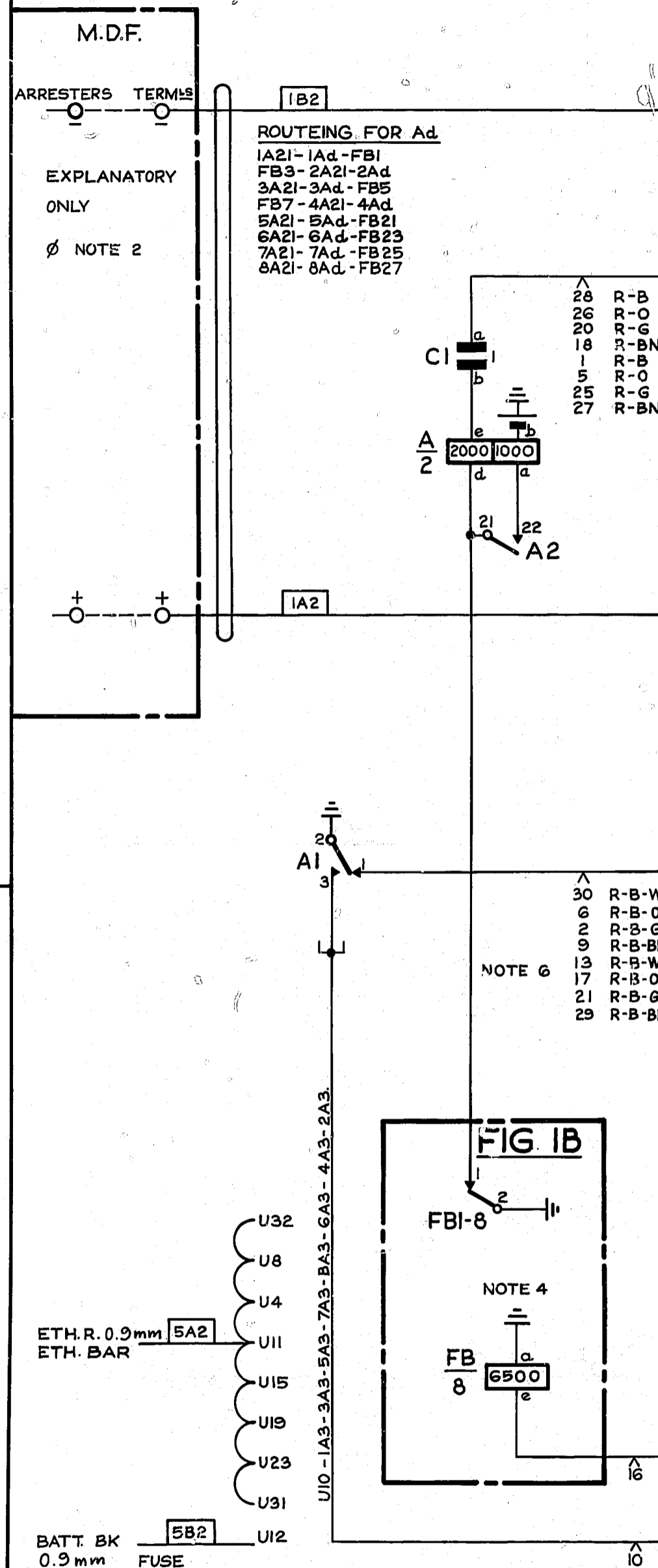


FIG. 2B-50 OUTLETS

FIG. 2E-25 OUTLETS

NOTE 2
ROW NOS OF TAGS ON F.D.R. MULT STRIP CONN F3 OR (F5)

NOTE 7
F3 (F5) F4 (F6)

NOTE 5
F1 OR (F1) (F2) R-G

NOTE 3
F25 OR F50 4/4

NOTE 4
FB 8

NOTE 6
R-B-W, R-B-O, R-B-G, R-B-BN, R-B-O, R-B-G, R-B-BN

NOTE 9
BATT. & ETH. ROUTING SEE FIG. 2A.

NOTE 8
WIRING: BANK WIRING TO BE 0.5 mm OTHER WIRING TO BE 0.6 mm UNLESS OTHERWISE SPECIFIED.

NOTE 9
FIG. 2E-25 OUTLET UNISELECTOR NOT TO BE USED FOR NEW WORK.

NOTE 10
WITHOUT LOCAL MANUAL BOARD TO JUNCTION VIA M.D.F. WITH LOCAL MANUAL BOARD TO MANUAL BOARD R/S GBW 13080 (OR EQUIV) OR GBW 12140 (OR EQUIV) EITHER DIRECT OR VIA I.D.F. (L.S.) OR NC 400 ZH 21CT XC-74895 OR EQUIV.

NOTE 11
XBAR REF ADDED (176660) 2B 13.2.79 RSD

NOTE 12
RETRACED (52321) 2A 22.3.74 BSH

NOTE 13
CLARIFIED FIG. 2A (70491) 2 28.3.63 D.B.H.

NOTE 14
NOTE 9 ADDED DESTINATION OF 0/G LEADS. 1

NOTE 15
AMENDMENT PARTICULARS

NOTE 16
ISSUE DATE

NOTE 17
APPD

NOTE 18
REF

NOTE 19
SIZE A2 50V S

NOTE 20
GBW 12100

NOTE 21
NZPO

NOTE 22
DRAWN T.J.D.

NOTE 23
CHECKED T.J.D.

NOTE 24
WIRING

NOTE 25
CIRCUIT S.W.G. 50

FIG. 2A LINE FINDER RELAY SET

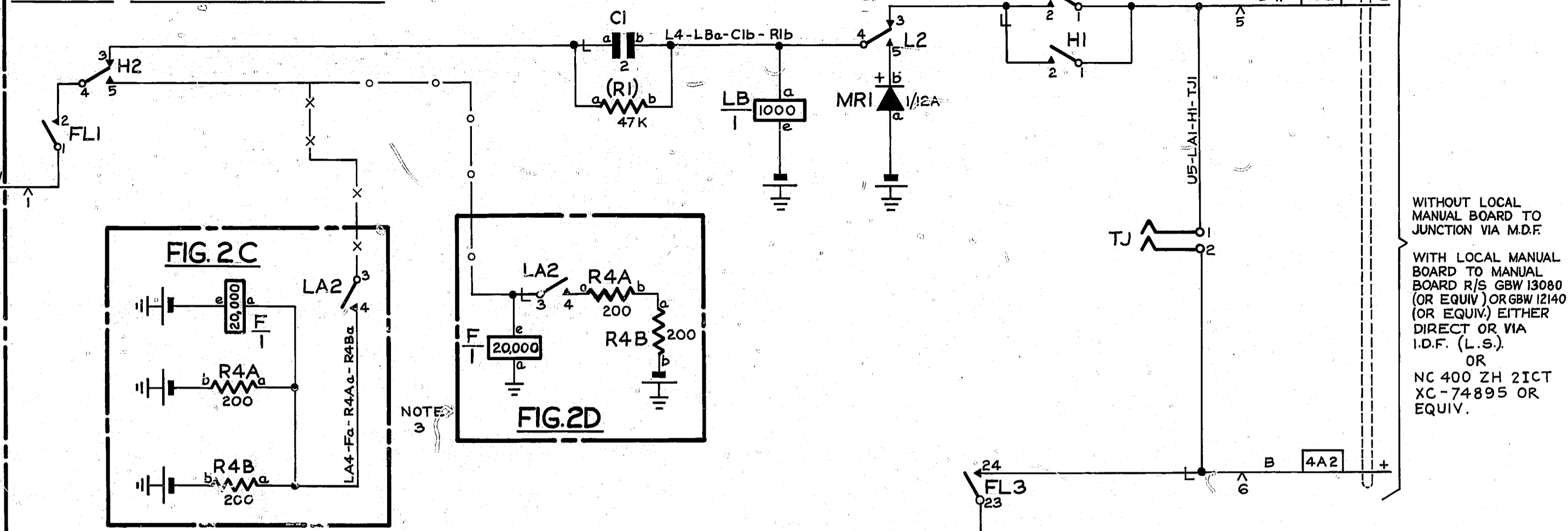


FIG. 2C

FIG. 2D

FIG. 2E

BATT. W. U12-1A2-3A2-5A2-7A2-8A2-6A2-4A2-2A2
ETH. R. U11-1A2-3A2-5A2-7A2-8A2-6A2-4A2-2A2

BATT. FUSE 0.9mm BK 5B2
ETH TAG 0.9mm R 5A2

SLOW RELEASE		SLOW OPERATE	
XBAR REF ADDED (176660)	2B	13.2.79	RSD
RETRACED	(52321)	2A	22.3.74 BSH
CLARIFIED FIG. 2A	(70491)	2	28.3.63 D.B.H.
NOTE 9 ADDED DESTINATION OF 0/G LEADS.	1		
AMENDMENT PARTICULARS	ISSUE DATE	APPD	REF
NZPO		DRAWN T.J.D.	
CHECKED T.J.D.		WIRING	
CIRCUIT S.W.G. 50		SIZE A2 50V S	
GBW 12100			

