

	ULT. EQUIPMENT OF MULT. ANS. & FLS LAMPS PER PANEL	CABLES FROM POSN ETH STRIPS TO NEAREST MAIN ETH. BAR	NO. OF POSNS	
			686mm WIDE	584mm WIDE
ABOVE 250	1-	16mm <sup>2</sup> CABLE PER	3	3
250	1-	" " "	6	7
150	1-	" " "	9	9
100	1-	" " "	12	14
50	1-	" " "	24	28

PART OF FIG. 1B

FIG 2B NOTE 8 LAMP RELAY (1 PER 52 [MAX] LAMP JACK APPEARANCES)

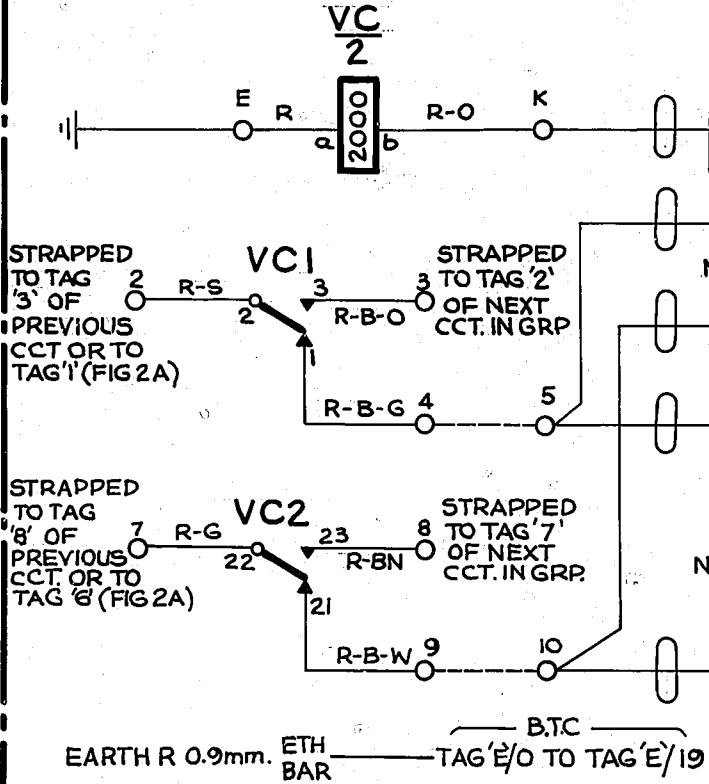


FIG 3.0 RELAY SET RACK BUSYING CIRCUIT FOR JACKED-OUT RELAY SETS

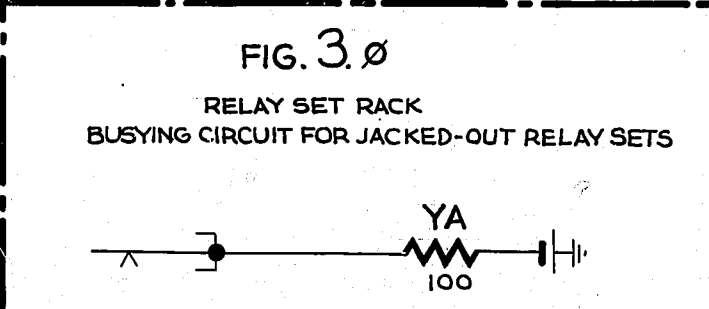


FIG 2A 6V A.C. FEEDS 1 SET PER 20 LAMP RELAYS

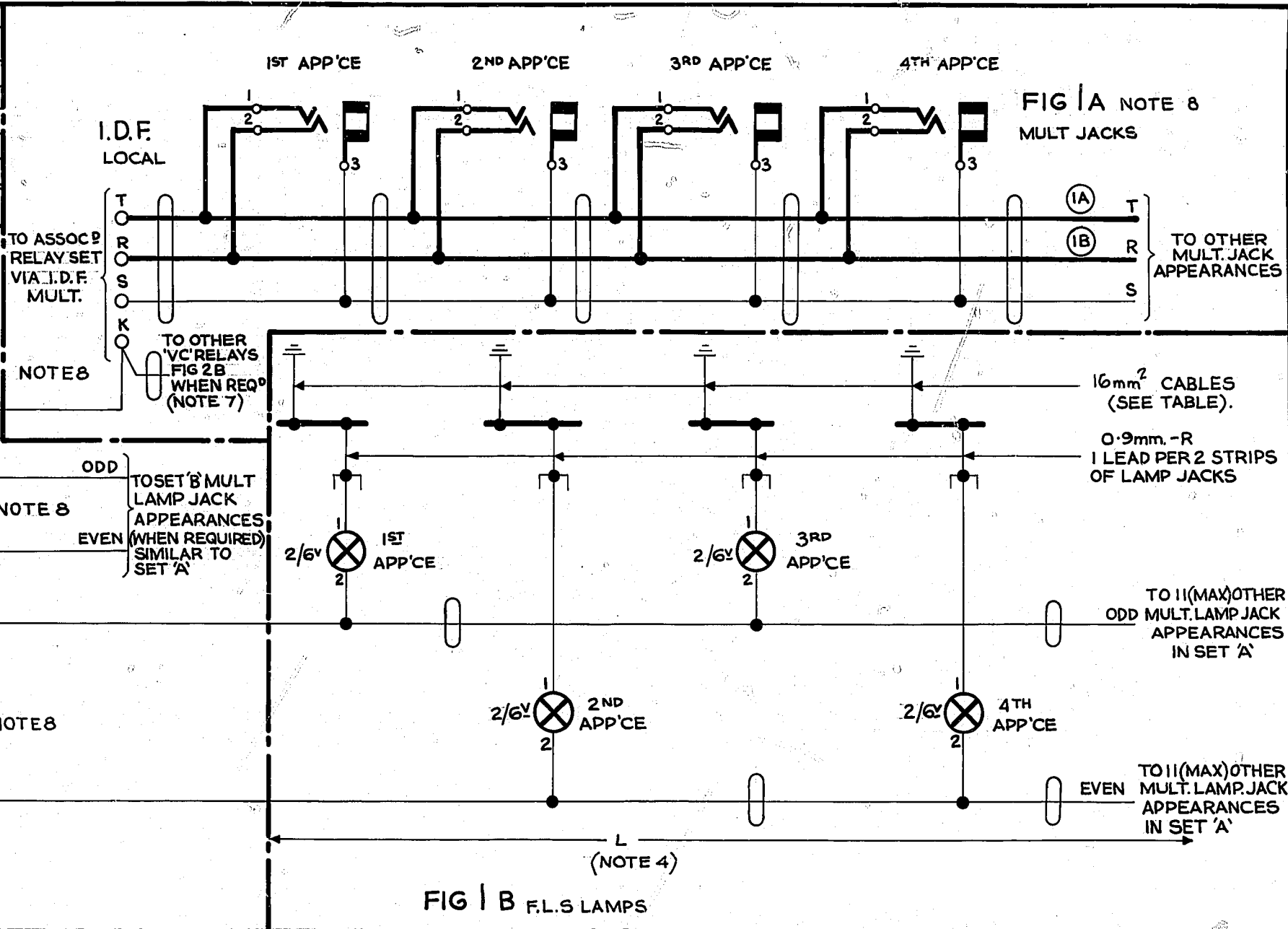


FIG 4. EXPLANATORY STRAPPING OF 'VC' CONTACT TERMS FOR DELAY WORKING (TRUNK CIRCUITS) (NOTE 6)

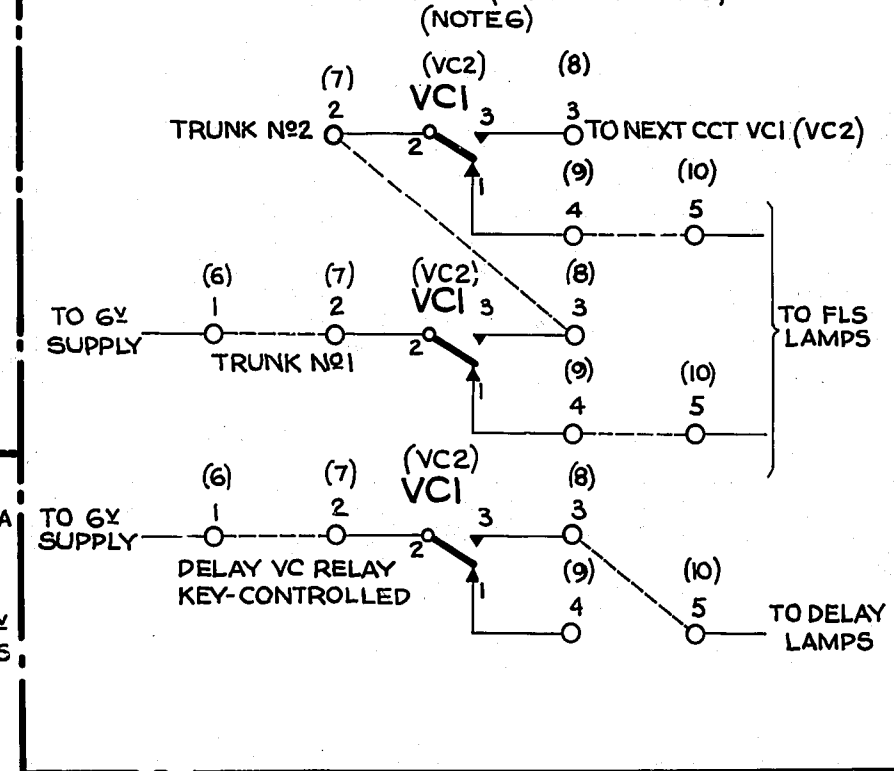
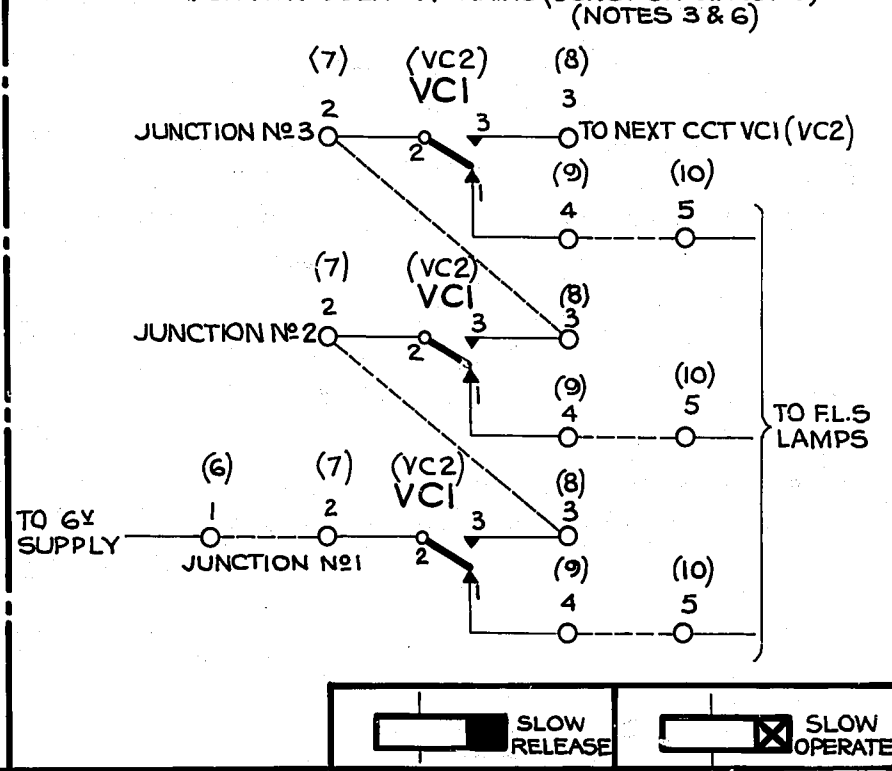


FIG 5. EXPLANATORY STRAPPING OF 'VC' CONTACT TERMS FOR NON-DELAY WORKING (JUNCTION CIRCUITS) (NOTES 3 & 6)



NOTES:-

TERM	BACK NOTCH	CENTRE NOTCH	FRONT NOTCH
1(6)	A.C. FEED	B.T.C. COMMONS TO OTHER TERMS (6) ON SAME STRIP	B.T.C. STRAPS TO TERMS 2(7)
2(7)	WIRING TO 'VC' CONTACTS	---	B.T.C. STRAPS TO TERMS 1(6) OR 3(8)
3(8)	WIRING TO 'VC' CONTACTS	---	B.T.C. STRAPS TO TERMS 2(7) OR B.T.C. STRAPS WITH SLEEVING TO TERMS 5(10)
4(9)	WIRING TO 'VC' CONTACTS	---	B.T.C. STRAPS TO TERMS 5(10)
5(10)	---	CABLING TO FLS LAMPS	B.T.C. STRAPS TO TERMS 4(9)
K	WIRING TO 'VC' RELAYS	CABLING TO FLS LAMPS	---
E	WIRING TO 'VC' RELAYS	EARTH FEED	B.T.C. COMMONS TO OTHER TERMS ON SAME STRIP

- FOR WIRING SEE GBW 10640
- ALLOCATION OF NOTCHES ON TERMINALS
- INITIAL WIRING SHALL BE AS SHOWN IN FIGS 2A & 5. STRAPS WILL BE CUT ON SITE TO MEET TRAFFIC REQUIREMENTS. STRAPS IN FIG 2A SHALL BE CUT SO AS TO DISTRIBUTE AS EVENLY AS POSSIBLE THE LOAD ON THE 6V A.C. FEEDS. NOT MORE THAN 3 JUNC. GROUPS SHALL BE SERVED BY ONE PAIR OF FEEDS, ODD OR EVEN.
- L IS m. OF CABLE BETWEEN FLS RACK & MIDPOINT OF ULTIMATE LAMP APPEARANCE 'L' SHALL NOT EXCEED 1188 m. DIVIDED BY THE ULTIMATE NUMBER OF LAMP JACKS (MAX 26) TO BE SERVED BY SAME PAIR OF LEADS.
- ALL WIRING TO BE 0.5mm UNLESS OTHERWISE SPEC'D.
- TERMINAL NUMBERS SHOWN THUS (7) IN FIGS 4 & 5 ARE ASSOC'D WITH CONTACT UNITS 'VC2'
- ADDITIONAL 'VC' RELAYS TO BE CABLED TO 'K' TAG (FIG. 1A) WHEN MORE THAN 52 LAMP JACK APPEARANCES ARE PROVIDED.
- WHEN A WALL MOUNTED FRAME IS PROVIDED FOR A SEPARATE SWBD. SUITE IT WILL ACCOMMODATE TERMINALS FOR TR & S CONNECTIONS FROM THE I.D.F. TO THE SWBD & ALSO TERMINALS 5 & 10 (SET A) & 5 & 10 (SET B) FOR CONNECTIONS FROM THE FLS LAMP RACK TO THE SWBD.

RETRACED & METRICATED	(157696)	2A	7-8-78	R.E.D
NOTE 8 ADDED	(13453)	2	6-7-70	R.W.
AMENDMENT PARTICULARS	155	DATE	APP	
MULTIPLE JACKS WITH FREE LINE SIGNAL LAMPS 6 VOLT A.C. SUPPLY				
SIZE S 50v S				
GBW 11990				
20 NZPO	25	DRAWN R.P.F.	CHECKED F.J.O.	WIRING CIRCUIT 30 E.W.D.