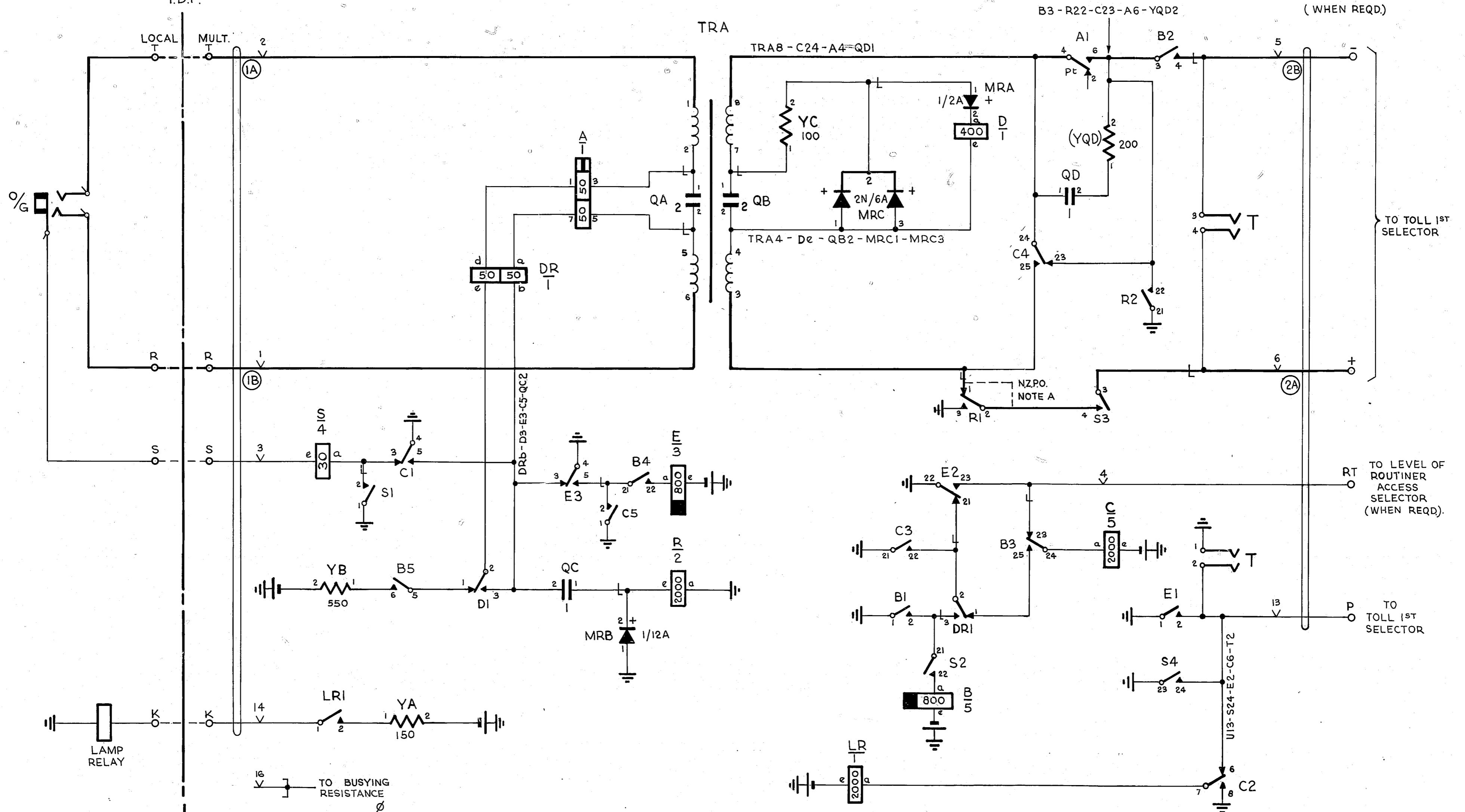


MANUAL BOARD
EXPLANATORY ONLY

BATT. W : U12-B_e-LRe-E_e-C_e-YA2-YB2
EARTH R : U11-B1-R21-R_a-R3-S23-S1-E22-E1-E4-C21-C1-C4-C8-MRB1-T1

I.D.F.
MULT. OR LOCAL
(WHEN REQD)



NOTES

1. FUSING 1.5A PER RELAY SET.
2. IN ADDITION TO U9 & U11, U14 & U16 ALSO MAKE CONTACT WHEN RELAY SET IS REMOVED.
3. Ø FOR WIRING SEE GBW 10640 OR EQUIVALENT.
4. WHEN REQUIRED TO WORK VIA A 2000 OHM JUNCTION THIS CIRCUIT TO BE MODIFIED TO GBW 11951.

N.Z. NOTES:

- A) ADD STRAP _____ TO SECURE TRUNK OFFERING VIA SS AC3 SYSTEMS.

T 8	<input type="checkbox"/> SLOW RELEASE	<input checked="" type="checkbox"/> SLOW OPERATE
TOLL-AUTO RELAY SET (WE TYPE TOLL BOARD) 2000 TYPE		
RETRACED	157675	4-B 20-9-76 RED.
NZ. NOTE A ADDED	49199	4-A 28-3-77 RED.
NOTE 4 ADDED	91491	4 11-12-64 FC.
AMENDMENT PARTICULARS	ORDER	ISS. DATE
		SIZE A2 50V C

