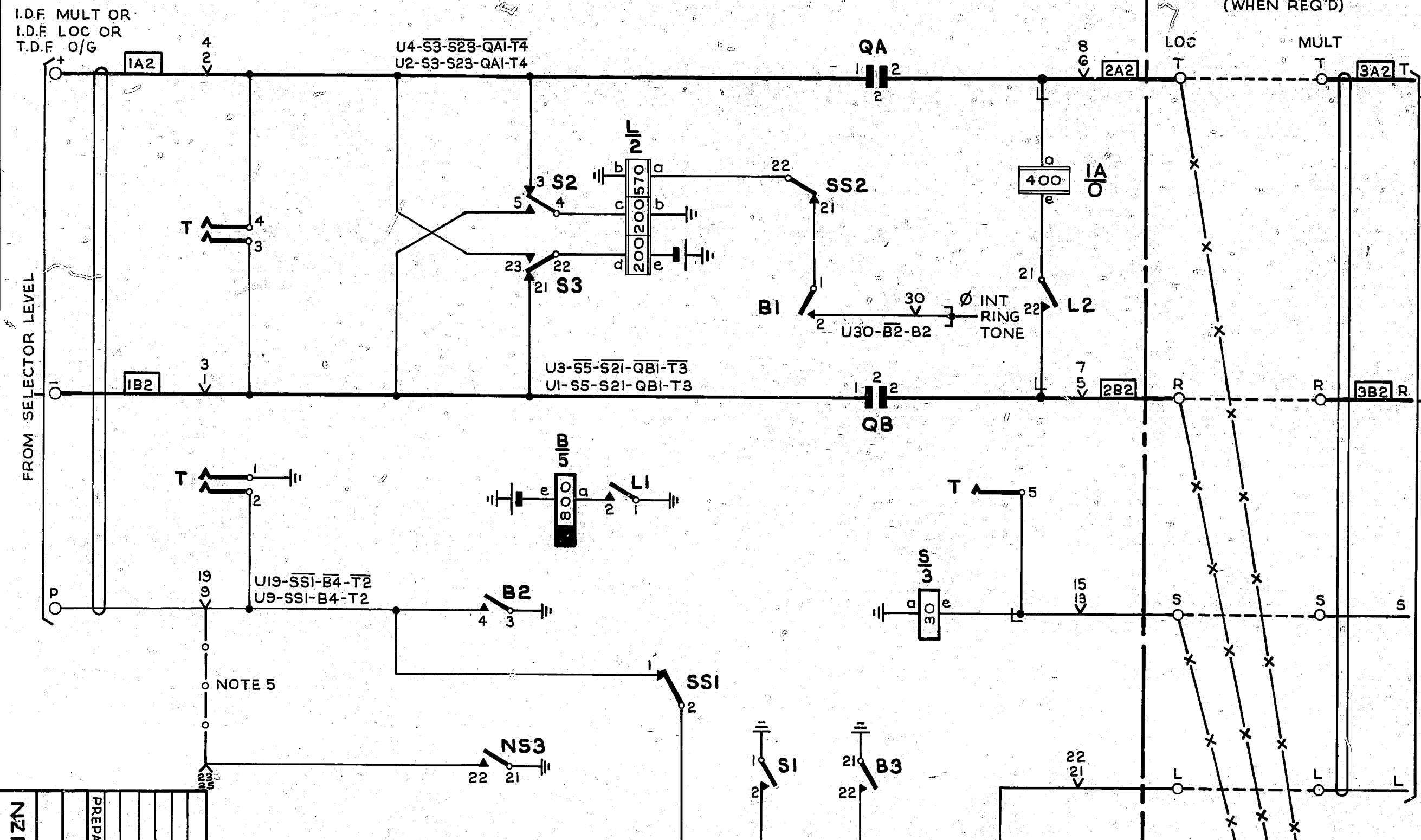


FIG. 4. RELAY SET



NOTES:

1. FUSING - FIG. 2. FUSE RC=1.5A (1 PER 5 CCTS)
- FIG. 4. FUSE RC=1.5A (1 PER BASE, 2 CCTS)
2. ALL WIRING BEARING A COLOUR CODE TO BE 0.5mm UNLESS OTHERWISE SPECIFIED. PLATE WIRING TO BE 0.7mm
3. IN ADDITION TO U9 & U11, U17 & U19 MAKE CONTACT WHEN RELAY SET IS REMOVED.
4. Ø FOR WIRING SEE GBW 10640 OR EQUIVALENT.
5. FOR FAULTS SERVICE LINE WITH NIGHT SWITCHING, USE CONNECTIONS & STRAPS SHOWN -x-x-x- AND -o-o-o-. OMIT STRAP SHOWN -o-o-o-. FOR FAULTS SERVICE LINE WITH NIGHT BUSYING, USE CONNECTIONS AND STRAPS SHOWN -o-o-o- AND -x-x-x-. OMIT STRAP AND CONNECTIONS SHOWN -x-x-x- FOR FAULTS SERVICE LINE WITHOUT NIGHT SWITCHING OR BUSYING AND DIRECTORY SERVICE LINE OMIT ALL CONNECTIONS SHOWN -o-o-o- AND -x-x-x-.

BATT: BK. 0.7mm FUSE 7B2 U12 U17
 EARTH: R. 0.7m ETH BAR 7A2 U11
 BATT: V. U12 - Le - sse - Le - sse - Be - NSe - Be - NSe
 EARTH: R. U11 - Lb - Li - sa - Si - Lb - Li - Sa - Si - B21 - B3 - NS21 - B21 - B3 - NS21 - Ti - Ti.

FIG. 6. IDF (WHEN REQ'D)

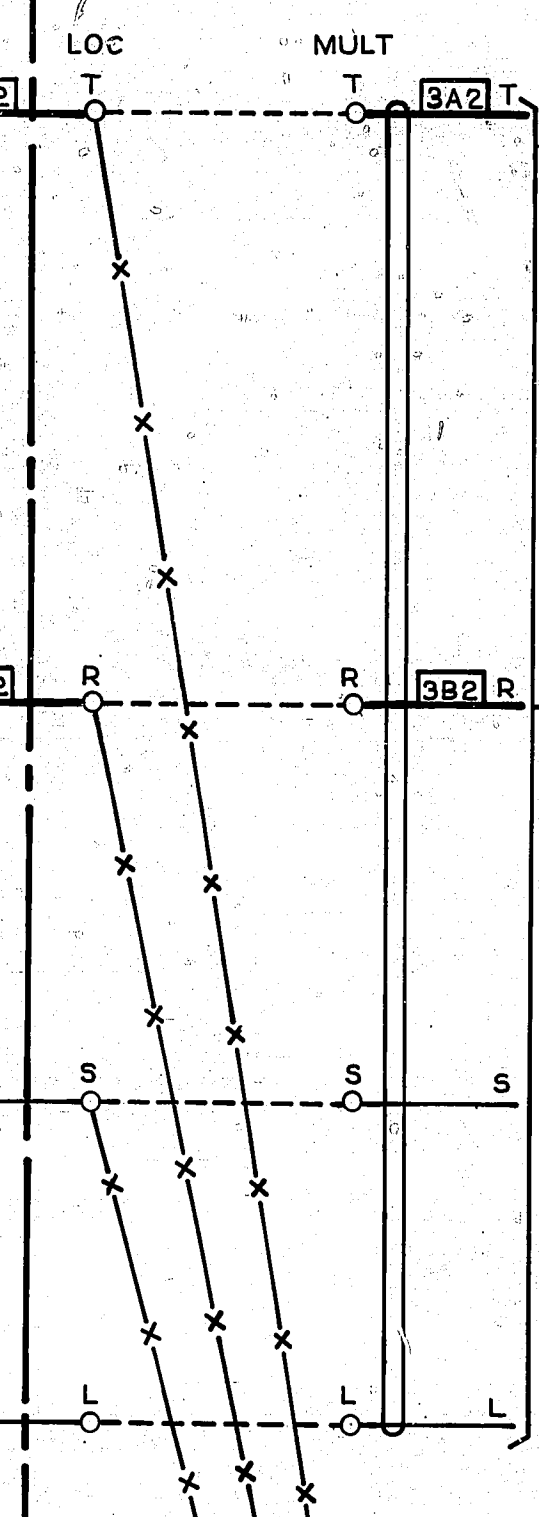


FIG. 1. TEST DESK (EXPLANATORY ONLY)

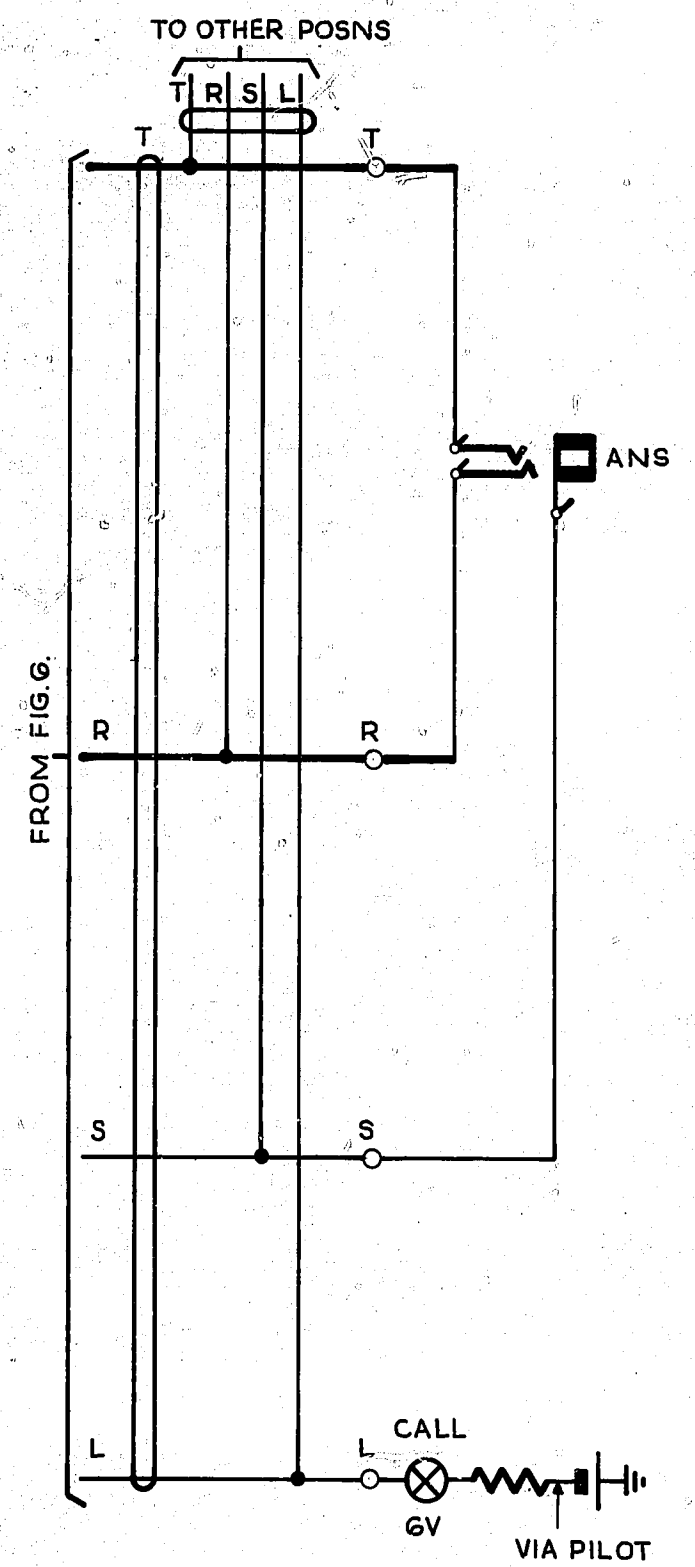


FIG. 2. DIRECTORY SERVICE OR FAULTS SERVICE DESK (EXPLANATORY ONLY)

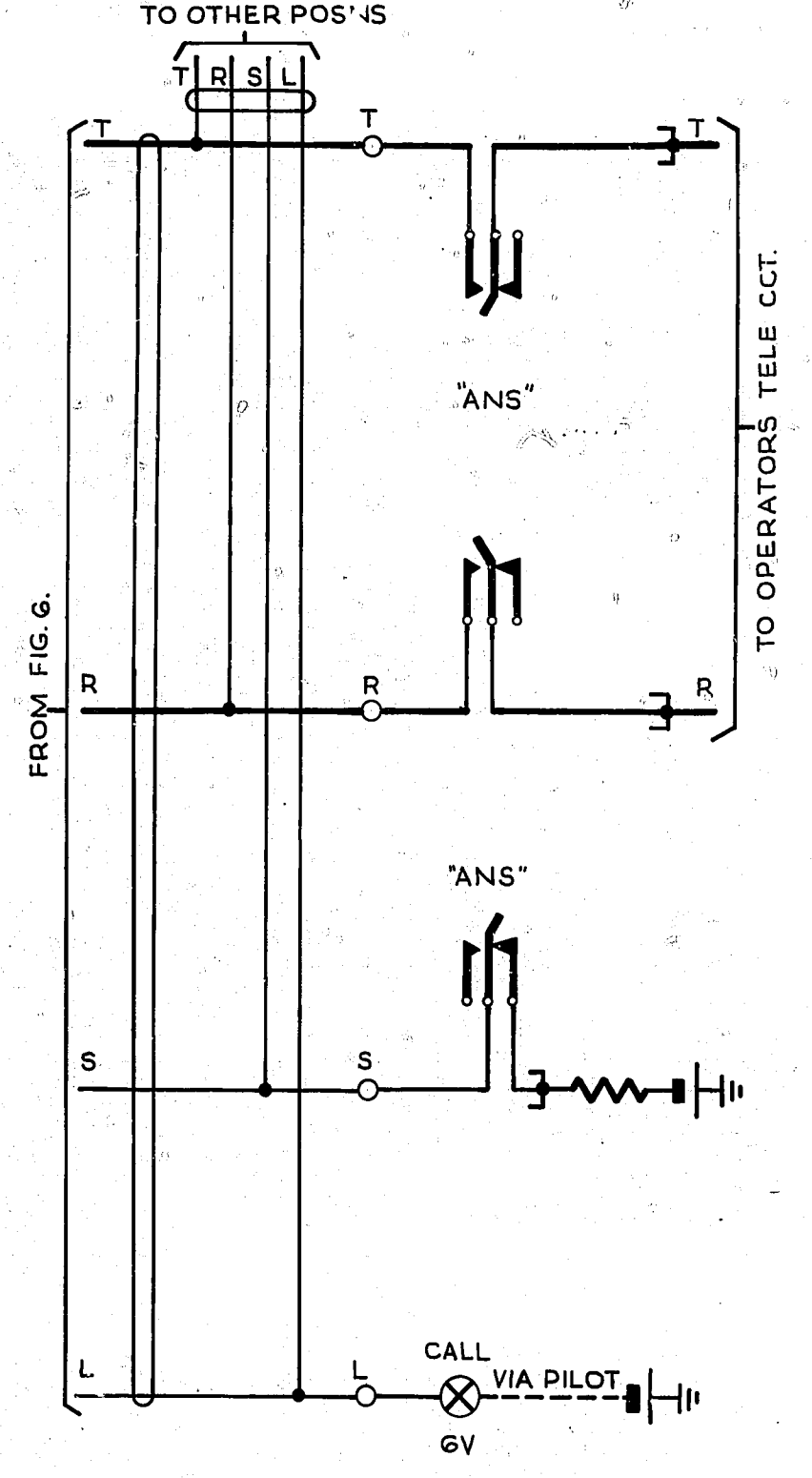


FIG. 3. TOLL BOARD (EXPLANATORY ONLY)

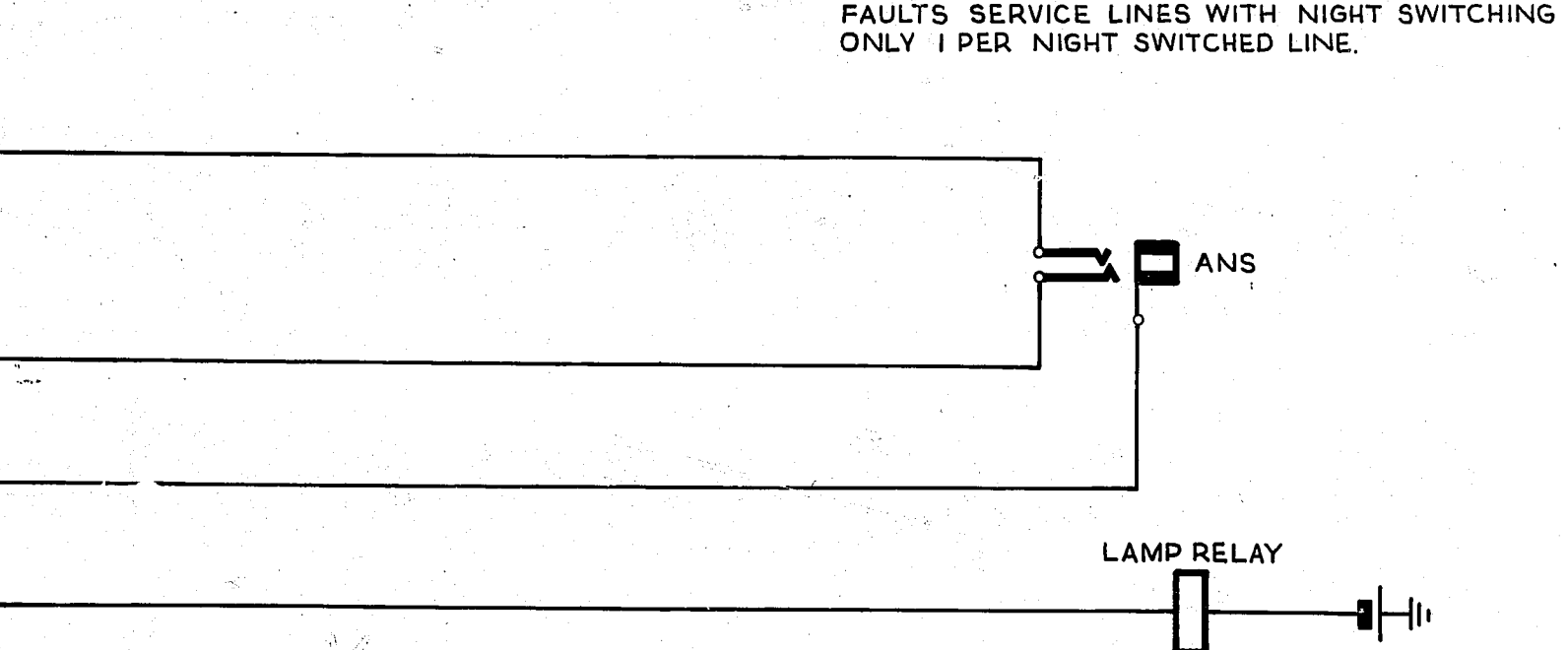
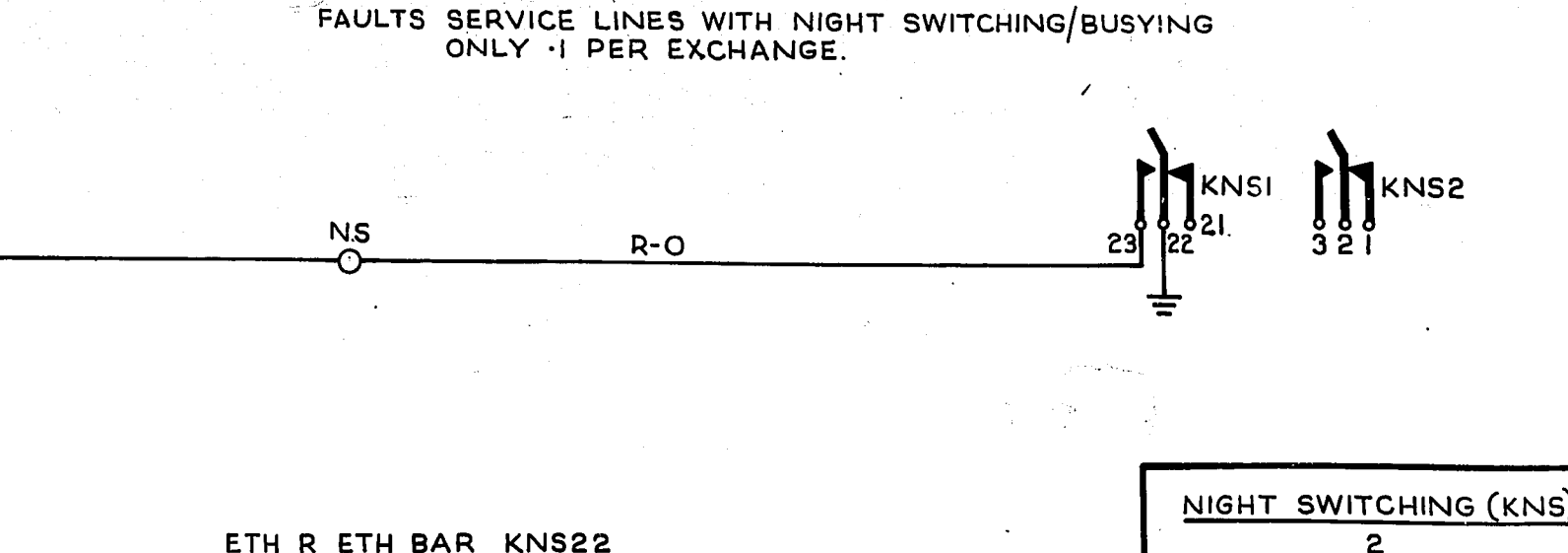


FIG. 5. TEST DESK



GBW 11890 MOD B

PREPARED FROM GBW 11890 ISSB MODA(5647) AMENDMENT PARTICULARS

ISSUE DATE: 10/1/75

APD: JCV

REF: FROM NEC CROSSBAR EXCHANGE.

DIRECTORY SERVICE OR FAULTS SERVICE LINES W/- OR W-OUT NIGHT SWITCHING TO WE TYPE TOLL BOARD.

SIZE: 150V C

SLOW RELEASE

SLOW OPERATE