

T.D.F. OUTGOING
OR
I.D.F. MULT.

FROM
SELECTOR
LEVELS

TO
SPECIAL
SERVICE LINE
VIA M.D.F.
ALSO VIA T.J.F.
WHEN REQD
NOTE 5

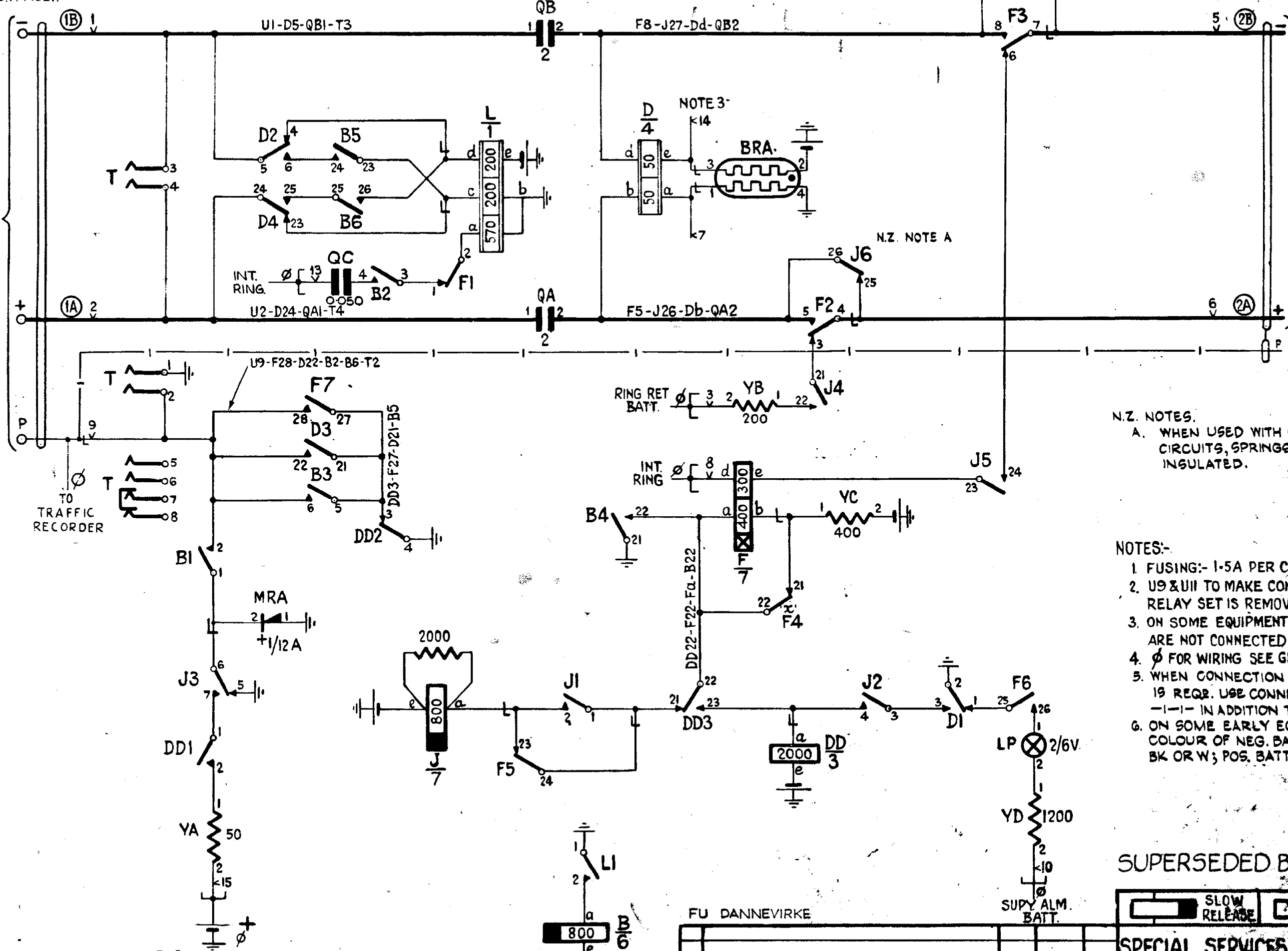
TO T.J.F.
WHEN REQD
NOTE 5

N.Z. NOTES.
A. WHEN USED WITH SOME PHONOGRAM
CIRCUITS, SPRINGS J25 & J26 ARE
INSULATED.

- NOTES:-
1. FUSING:- 1.5A PER CIRCUIT.
 2. U9 & U11 TO MAKE CONTACT WHEN RELAY SET IS REMOVED.
 3. ON SOME EQUIPMENTS BRA3 & BRA1 ARE NOT CONNECTED TO "U" POINTS
 4. ϕ FOR WIRING SEE GBW.10640 OR EQUIV.
 5. WHEN CONNECTION TO LINE VIA T.J.F. IS REQD. USE CONNECTION SHOWN -|-|- IN ADDITION TO + & -.
 6. ON SOME EARLY EQUIPMENT COLOUR OF NEG. BATT. WIRING WAS BK OR W; POS. BATT. WAS R-B.

SUPERSEDED BY GBW16810

| | | | |
|---|--------------|-------------------------------------|--------------|
| <input type="checkbox"/> | SLOW RELEASE | <input checked="" type="checkbox"/> | SLOW OPERATE |
| SPECIAL SERVICES RELAY SET | | | |
| POSITIVE BATTERY METERING | | | |
| 2000 TYPE | | | |
| RING TONE SUPPLIED VIA 0.05 UF CAPACITOR FROM RINGING SUPPLY. (89194) | | ISSUE DATE | APPRO |
| AMENDMENT PARTICULARS | | ISSUE DATE | APPRO |
| N 7 P O. | | APPRO | APPRO |
| GBW 11870 MOD A | | | |



BATT; FUSE V (3B) U12
EARTH: ETH. BAR R (3A) U11
225WG.
BATT. V. U12-Le-DDe-BRA2-Je-Be-YC2
EARTH. R. U11-Lb-L1-DD4-MRA1-J5-D2-B21-BRA4-T1
POS. BATT. Y. U15-YA2.

| | |
|---|------------------|
| FU DANNEVIRKE | |
| RING TONE SUPPLIED VIA 0.05 UF CAPACITOR FROM RINGING SUPPLY. (89194) | |
| AMENDMENT PARTICULARS | ISSUE DATE APPRO |
| N 7 P O. | APPRO APPRO |

T
C/P