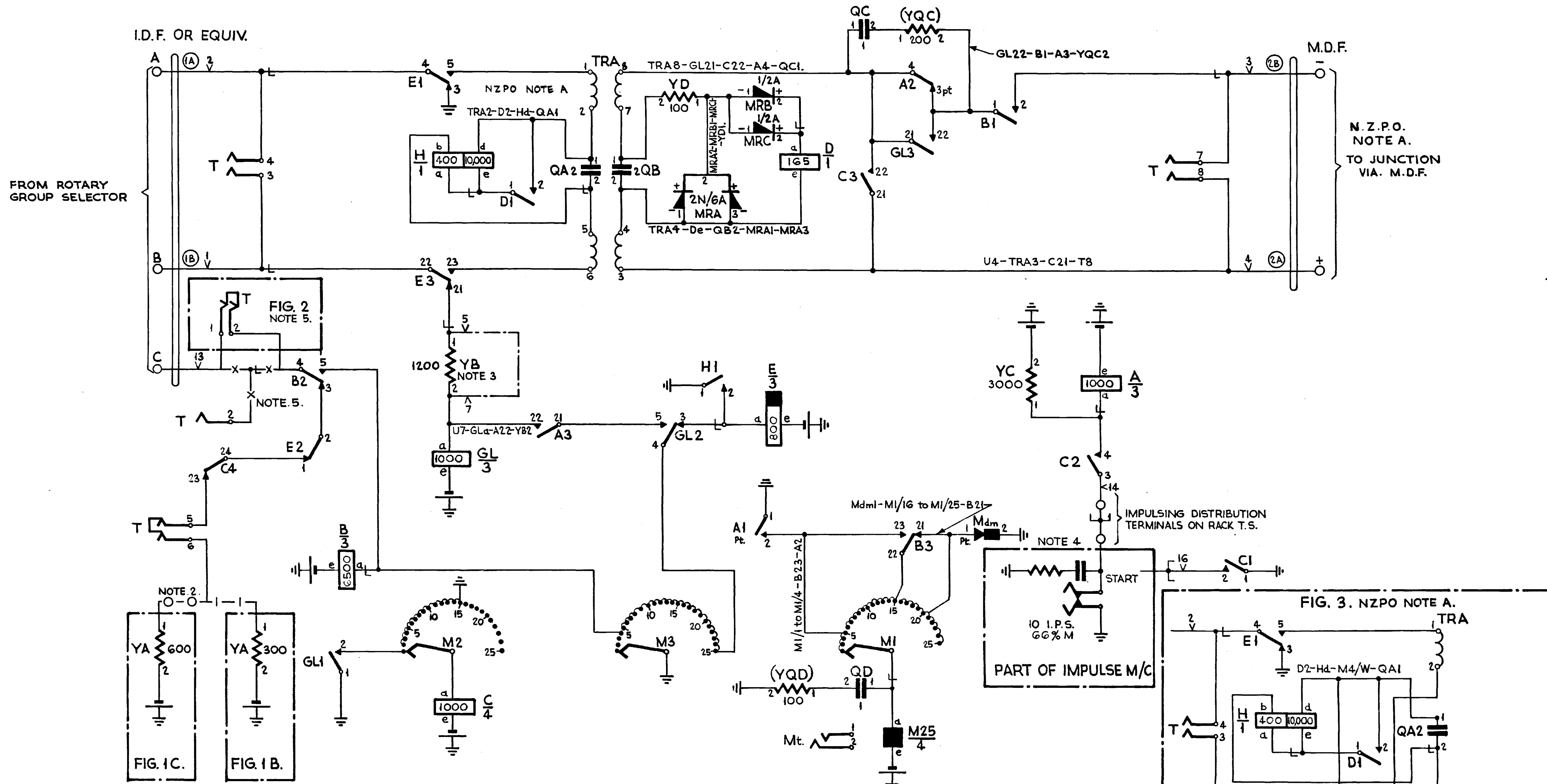


FIG. 1.A.

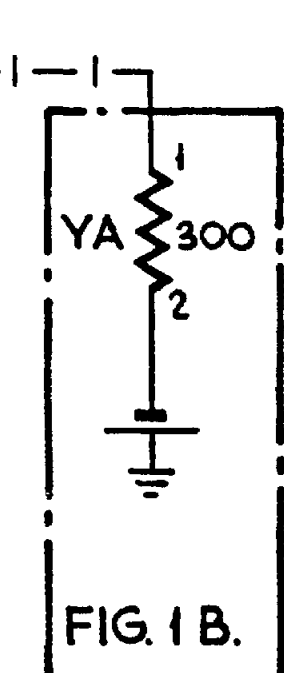
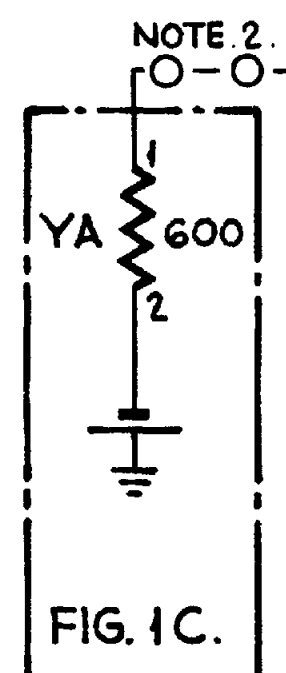


FROM ROTARY GROUP SELECTOR

I.D.F. OR EQUIV.

M.D.F.

N.Z.P.O. NOTE A. TO JUNCTION VIA. M.D.F.

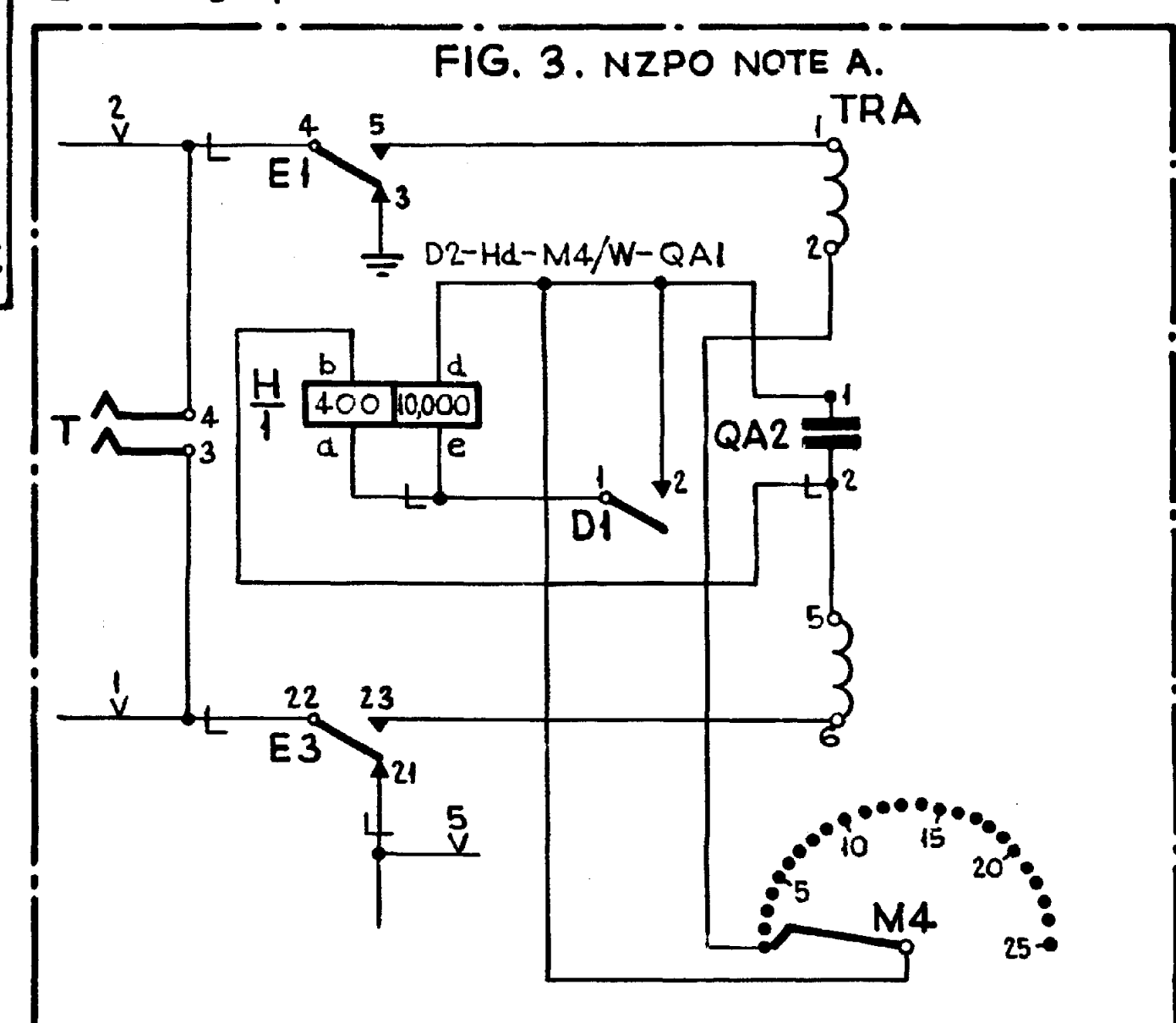


NOTES

1. FUSING 1.5 A PER CIRCUIT.
2. PROVIDE FIG. 1A & 1C ONLY WHEN USED AT THE DEVONPORT 7A 2 EXCHANGE OR OFF LEVELS OF THE 7A 2 HE TOLL 1ST GROUP SELECTOR AT AUCKLAND CENTRAL.
3. WHEN ROTARY EXCHANGE IS EQUIPPED WITH OTHER THAN 7A 2 TYPE REGISTERS STRAP OUT THIS RESISTANCE.
4. ONE INTERRUPTER SPRINGSET OR CAM COMMON TO NOT MORE THAN 10 'A' RELAYS.
5. WHEN BUSYING FACILITY IS REQUIRED DELETE WIRING—X— & ADD FIG. 2.

NZPO NOTE A

WHEN A R.S.M. IS UNDER 7A 2 REGISTER CONTROL AND HAS ACCESS TO AN AUTO-AUTO RELAY SET WITHIN THE SAME EXCHANGE OR AT A DISTANT EXCHANGE, VIA A CIRCUIT OF LESS THAN 500 OHM. LOOP RESISTANCE, THEN WIRE AS SHOWN IN FIG. 3.



BATT. WH U12-GLc-Ee-Ce-Me-Be-Ae-YA2-YC2.
EARTH R U11-HI-GL1-E3-C1-M2/15 to M2/2-M3/W-Mdm 2-A1-YQD2.

SUPERSEDED FOR NEW WORK BY G.B.W. 15690.

AMENDMENT PARTICULARS	ISSUE	DATE	APP.
MINOR CORRECTIONS.	(8253)	3B	5-4-71 D.B.H.
NZ P.O. NOTE A ADDED.	(13784)	3A	29-10-70 R.W.
FIG. 2, NOTE 5 & SUPERSESSION NOTE ADDED	(20801)	3	14-12-62 D.B.H.
RESISTOR YD ADDED.	(7337)	2	31-12-53 C.W.H.
		1	28-1-52 C.W.H.

SLOW RELEASE SLOW OPERATE
INTERWORKING RELAY SET
TYPE RSM
ROTARY TO STEP BY STEP
 50 V. W
GBW 11810.

