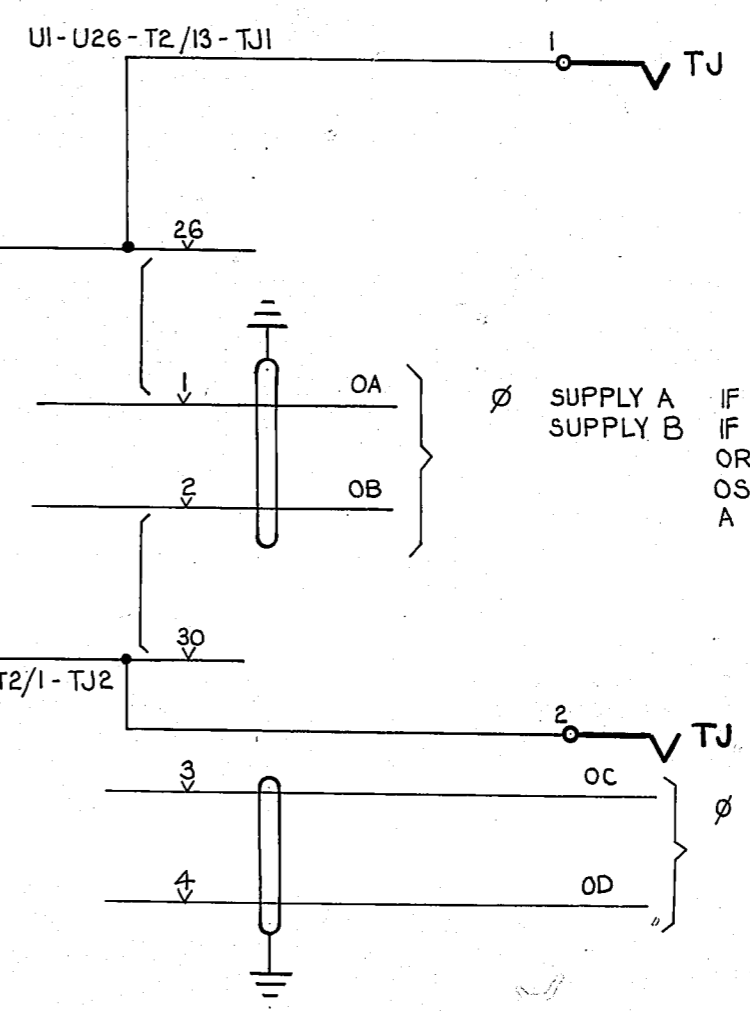
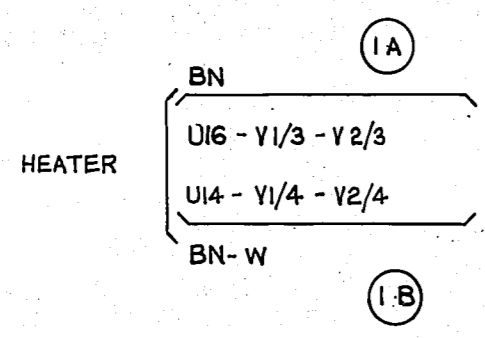


NOTES

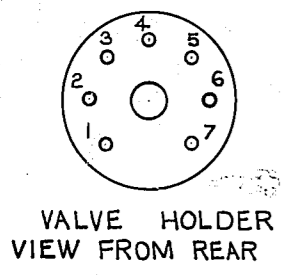
1. FUSING : 1.5A FOR NEG BATT
0.5A FOR POS BATT
1.0A FOR 6.3 VOLT A.C. SUPPLY
2. STRAP TAG 2 TO 3,4,5 &/OR 6 TO OBTAIN OUTPUT FREQUENCY OF 2280 C.P.S.
3. STRAP TAG 5 TO 10, 11, OR 12 TO GIVE OUTPUT VOLTAGE ON TAGS 1-4 AS NEAR AS POSSIBLE TO .774 VOLTS R.M.S
4. NOMINAL LEVEL ON LINE 13 AS FOLLOWS
STRAP TAG 13 TO 2-12 dbm
STRAP TAG 13 TO 3-9 dbm
STRAP TAG 13 TO 4-6 dbm
5. U15 AND U17 ALSO U17 AND U18 TO BE STRAPPED ON SHELF WIRING EXTERNALLY.
6. U1 AND U3 ALSO U2 AND U4 TO MAKE ON SHELF WHEN RELAY SET IS REMOVED.
7. ALL WIRING TO BE 0.5mm UNLESS OTHERWISE SPECIFIED
8. Ø FOR WIRING, SEE R.C.S FOR I-VF SYSTEM GBW 12110 OR EQUIV

- POS. BATT. FUSE 7.0mm R-B U13
 NEG. BATT. FUSE 7.0mm BK (3B) U12
 ETH. BAR 7.0mm R (3A) U11
- BATT. W. U12 - R6b
 ETH. R U11 - T1/E - T2/E - C8a
 POS. BATT R-B U13 - R5a
- 6.3V A.C. FUSE 7.0mm BN (2A) .HC U16
 ETH. BAR 7.0mm BN-W (2B) H U14



Ø SUPPLY A IF 1ST OSCILLATOR
 SUPPLY B IF 2ND OSCILLATOR,
 OR IF SINGLE OSCILLATOR, SUPPLIES
 A & B.

Ø FROM PRECEDING RACK IF
 1ST OSCILLATOR
 OR FROM 1ST OSCILLATOR IF
 2ND OSCILLATOR
 OR TO SUBSEQUENT RACK
 IF SINGLE OSCILLATOR.



VALVE HOLDER
VIEW FROM REAR

TJ
2

SUPERSEDED BY GBW 16480 FOR NEW WORK.

				2280 CYCLES/SECOND OSCILLATOR I.V.F. SYSTEM	
REDRAWN AND METRICATED (157693)	2A	21.8.78	R.E.D.		
SUPERSESSION NOTE ADDED (47288)	2	19-2-65	CK		
AMENDMENT PARTICULARS			ISSUE DATE	APPD	SIZE. A2 50V S
DRAWN G.A.			CHECKED F.J.D.	WIRING	CIRCUIT F.J.D.
GBW				11690	