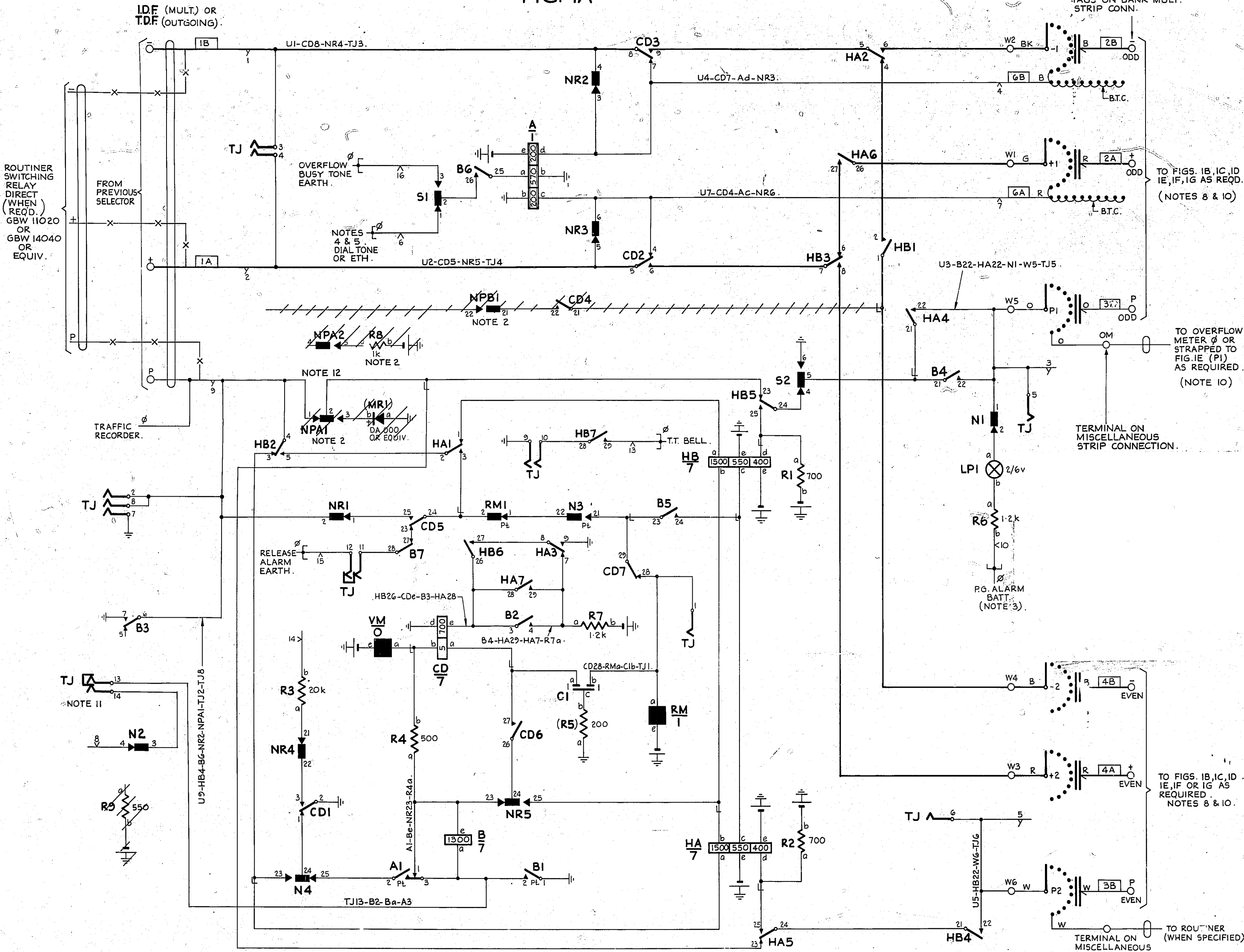


FIG. 1A



- NOTES :-
- FUSE: 1.5A PER CIRCUIT.
 - REMOVE ALL CAMS ASSOCIATED WITH NPA & NPB SPRINGSETS.
 - P.G. ALARM BATTERY TO BE PROVIDED ON INCOMING & FIRST SELECTORS ONLY.
 - Ø FOR WIRING SEE G.B.W. 11770.
 - DIAL TONE IS ONLY PROVIDED ON SUBSCRIBERS FIRST SELECTOR.
 - SHELF JACK POINTS U9 & U11 TO MAKE CONTACT WHEN SWITCH IS REMOVED.
 - ALL WIRING NOT OTHERWISE SPECIFIED TO BE 0.5mm.
 - FOR ACTUAL CONNECTIONS SEE RELEVANT GRADING CHARTS.
 - BANK MULTIPLE CONNECTIONS TO THESE TERMINALS ARE AS SHOWN IN FIG. 1A.

- WHEN THIS DIAGRAM IS USED ON EXTENSIONS WHERE T.D.F. CAPACITY EXISTS, THE BANK MULTIPLE & OVERFLOW METER CONNECTIONS SHALL BE CABLED TO T.D.F.
- WHEN USED AS SUBSCRIBER FIRST SELECTOR IN UNI-SELECTOR EXCHANGES OR WHEN PRECEDED BY GBW 12680 STRAP U8 TO U9.
- NPA1 & NPA2 STRAPPED.

BATT. FUSE BK 0.7mm 5B U12
 ETH. ETH BAR 5A U11
 BATT. W-U12-HBe-R1b-R2b-Ae-HAe-VMe-RMe-R7b-R8b-R9b.
 ETH R-U11-CDd-CD2-Ab-B1-B7-HA9-56-R5a-TJ7-TJ9.
 MRIa

FIG. 1B
O/G 3 WIRE CIRCUITS.

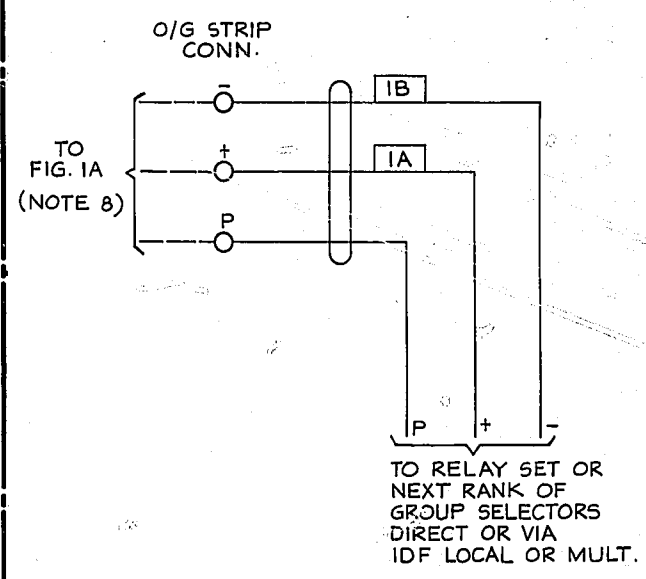


FIG. 1C
TIE CCTS. BETWEEN RACKS.

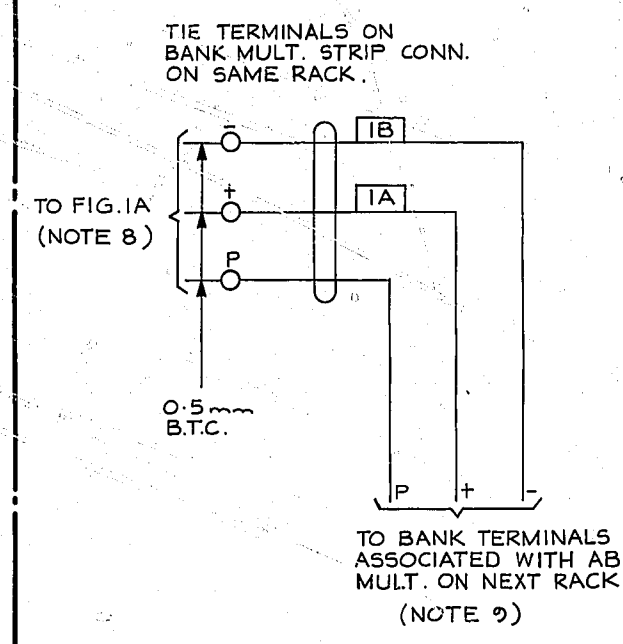


FIG. 1D
O/G 3 WIRE CIRCUITS.
(WITH FULL AVAILABILITY)

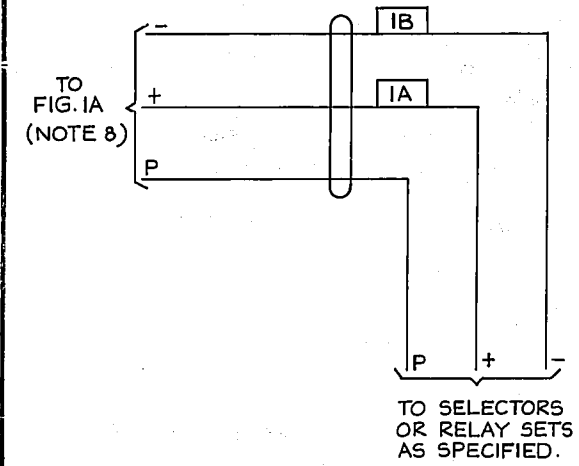


FIG. 1E
11TH STEP TIE CCTS. BETWEEN RKS.

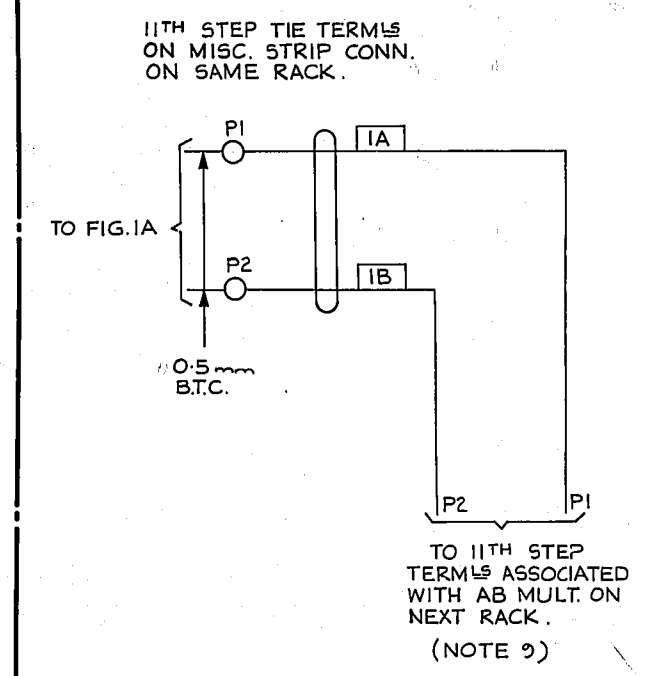


FIG. 1F
O/G 5 WIRE CIRCUIT.

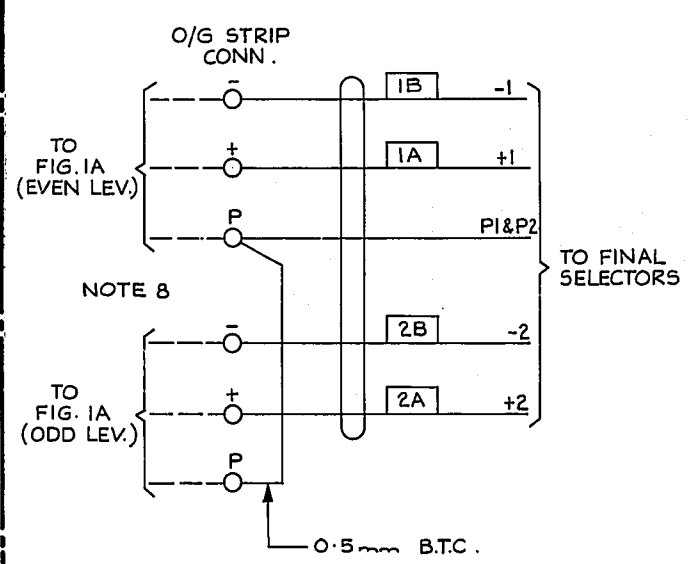
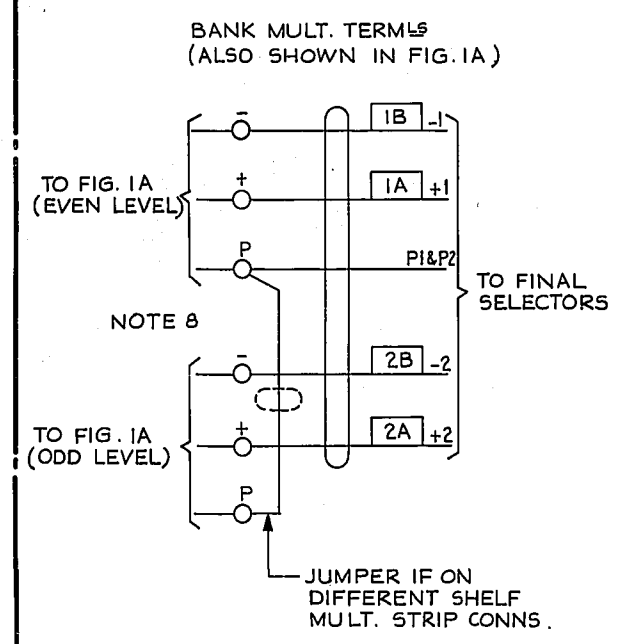


FIG. 1G
O/G 5 WIRE CIRCUIT.
(WITH FULL AVAILABILITY)



NPA	N	NR	S	TJ
2	4	5	2	14

SELECTION 200 OUTLET 2000 TYPE

PREPARED FROM GBW 11620 155 G OF 10-2-47 (17609) 7 30

AMENDMENT PARTICULARS 155 1 APD REF: GBW 11620 155 G SIZE A11 50V S

NZPO DRAWN CHECKED WIRING CIRCUIT

GBW 11620 MOD A

