

FIG. 1 TESTER

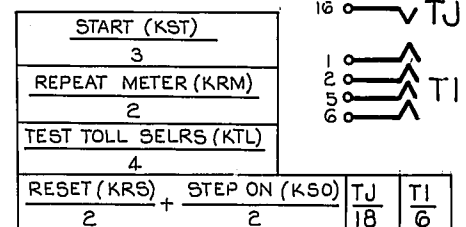
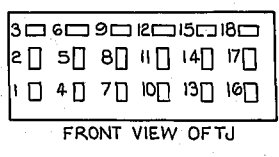
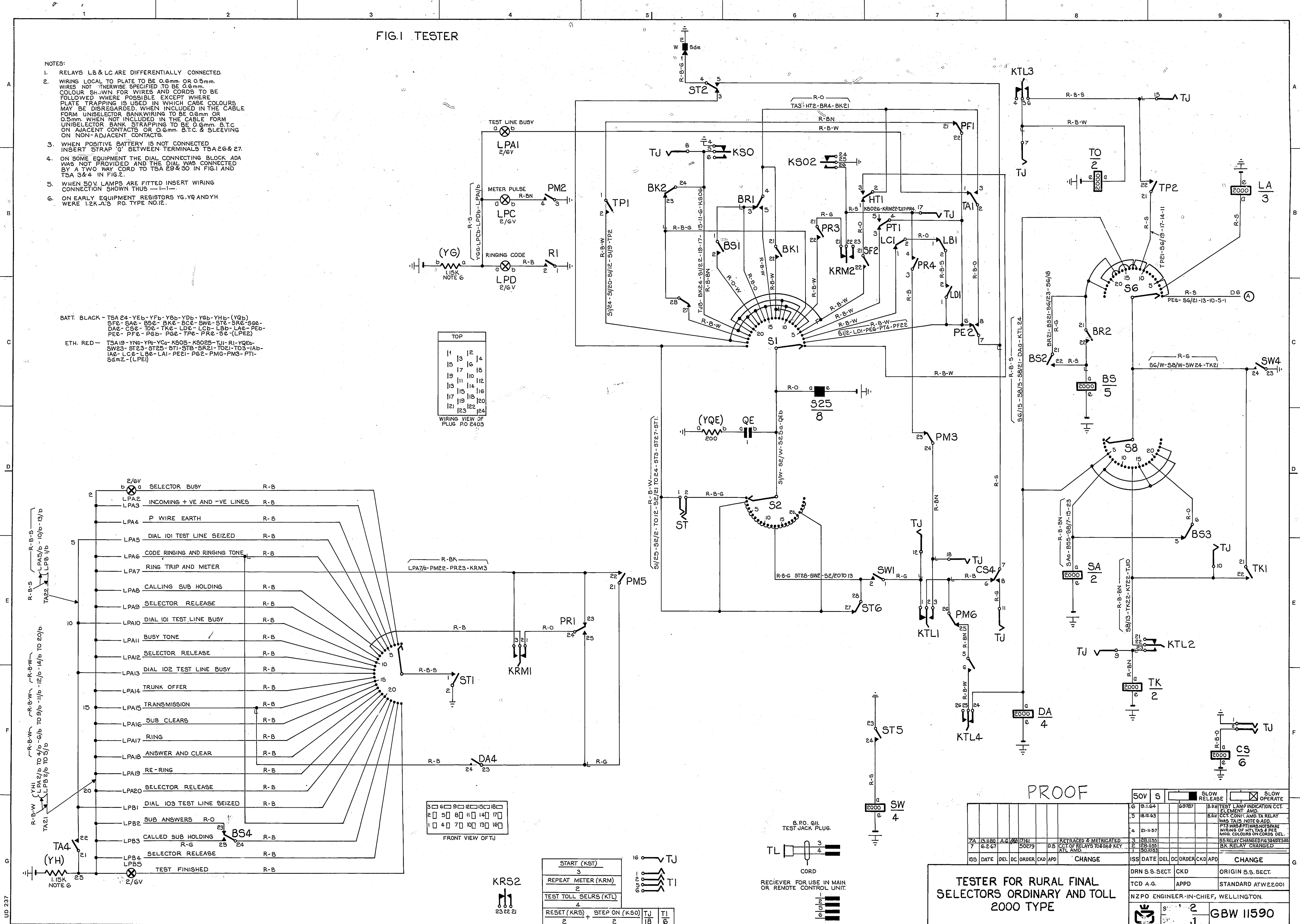
- NOTES:
- RELAYS LB & LC ARE DIFFERENTIALLY CONNECTED.
 - WIRINGS LOCAL TO PLATE TO BE 0.6mm. OR 0.5mm. WIRES NOT OTHERWISE SPECIFIED TO BE 0.6mm. COLOUR SHOWN FOR WIRES AND CORDS TO BE FOLLOWED WHERE POSSIBLE EXCEPT WHERE PLATE TRAPPING IS USED IN WHICH CASE COLOURS MAY BE DISREGARDED. WHEN INCLUDED IN THE CABLE FORM UNISELECTOR BANK WIRING TO BE 0.6mm OR 0.5mm. WHEN NOT INCLUDED IN THE CABLE FORM UNISELECTOR BANK STRAPPING TO BE 0.6mm. B.T.C. ON ADJACENT CONTACTS OR 0.6mm. B.T.C. & SLEEVING ON NON-ADJACENT CONTACTS.
 - WHEN POSITIVE BATTERY IS NOT CONNECTED INSERT STRAP 'Q' BETWEEN TERMINALS TSA26 & 27.
 - ON SOME EQUIPMENT THE DIAL CONNECTING BLOCK ADA WAS NOT PROVIDED AND THE DIAL WAS CONNECTED BY A TWO WAY CORD TO TSA29 & 30 IN FIG.1 AND TSA34 IN FIG.2.
 - WHEN SOV LAMPS ARE FITTED INSERT WIRING CONNECTION SHOWN THUS —|—|—
 - ON EARLY EQUIPMENT RESISTORS YG, YQ AND YH WERE 1.2K-Ω SO. TYPE NO.12.

BATT. BLACK - TSA24-YEb-YFb-YGb-YDb-YHb-(YQb)
 ST2-SAG-BSG-BKb-BCb-SWb-STb-SRb-Sge-
 DAg-CSe-TOc-TKc-LDc-LCb-LAb-LAc-PeD-
 PEd-PFb-PGb-PGc-TPc-PRc-PRc-(LPE2)
 ETH. RED - TSA19-YNg-YPb-YCb-KSOb-KSOb-TJb-Rb-YQb-
 SW23-ST23-ST25-ST1-STB-SAZ1-TO21-TOS-
 IAb-LC2-LB2-LAI-PE21-PG2-FMG-FMS-PT-
 SdmZ-(LPE1)

TOP

11	12	14
15	17	18
19	11	11
113	115	116
117	119	120
121	123	124

WIRING VIEW OF PLUS PO 2403



PROOF

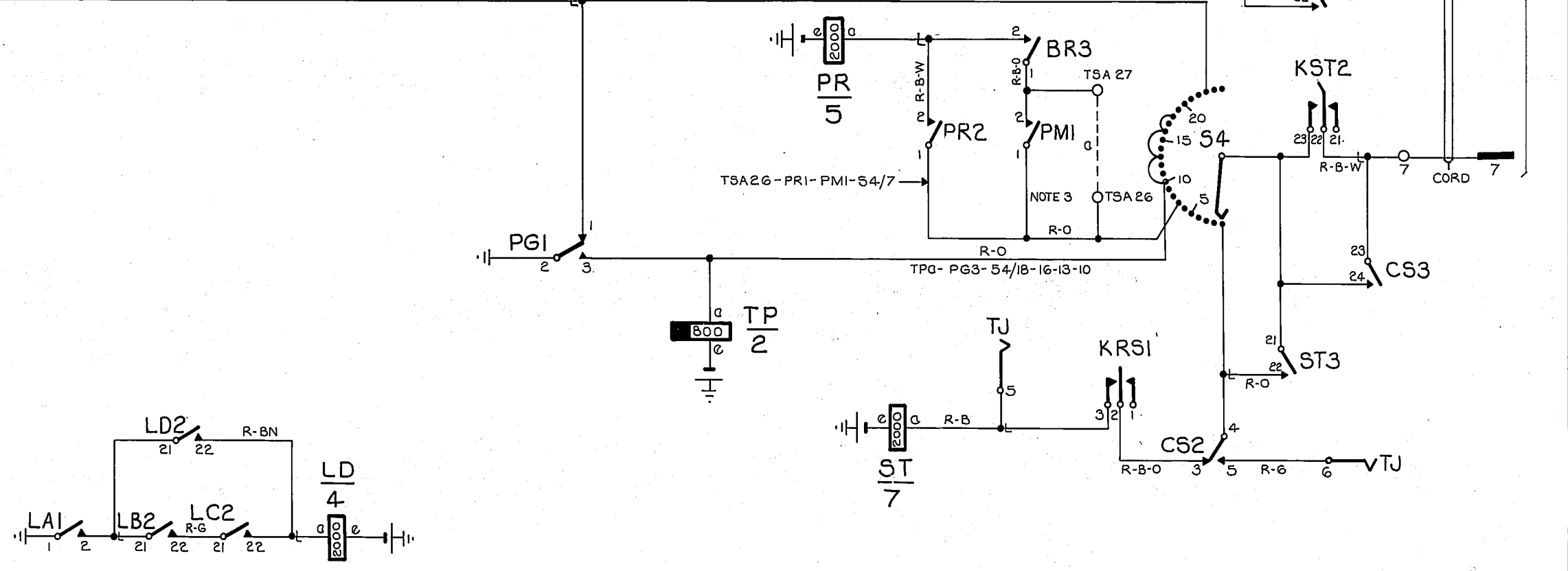
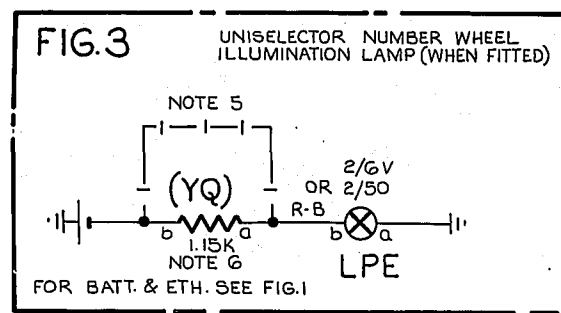
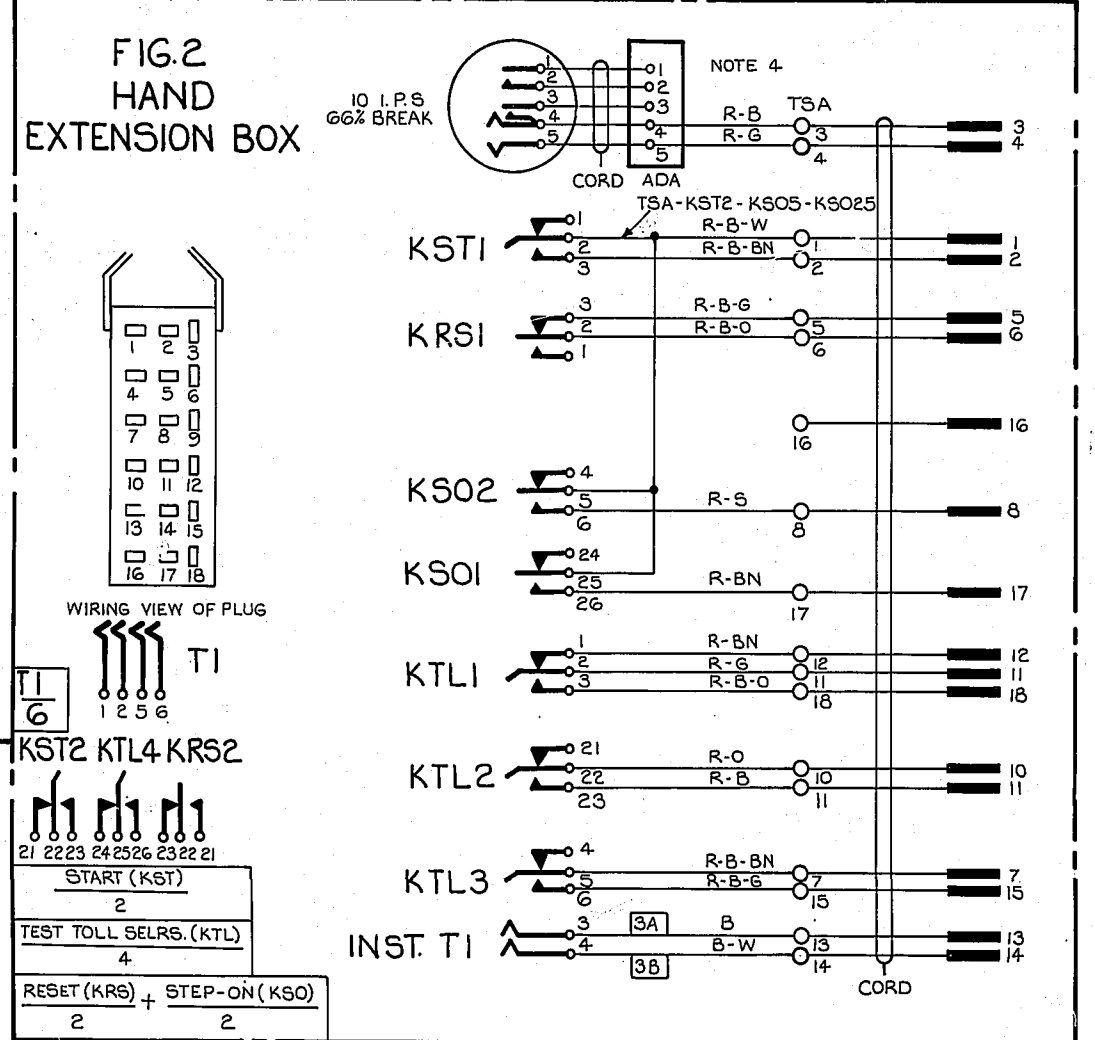
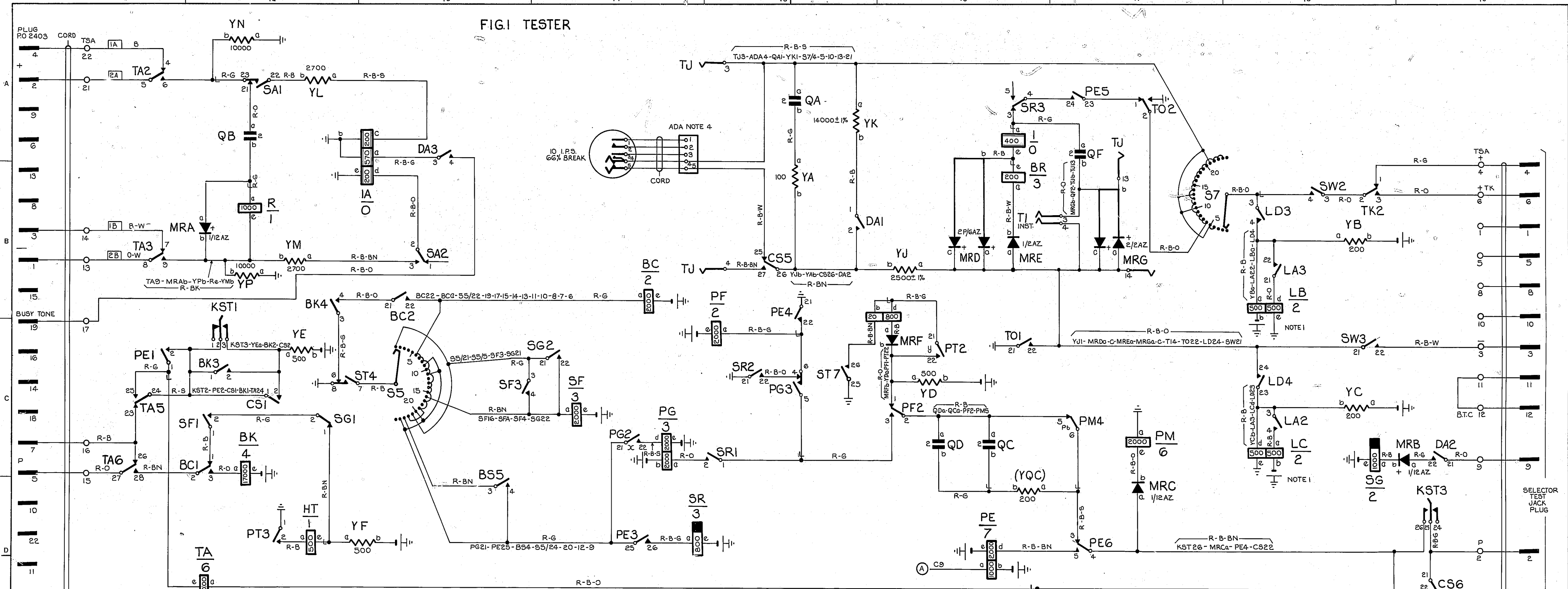
ISS	DATE	DEL	DC	ORDER	CKD	APP	CHANGE	ISS	DATE	DEL	DC	ORDER	CKD	APP	CHANGE
6	9.1.64							6	9.1.64						
5	18.2.63							5	18.2.63						
4	21.11.57							4	21.11.57						
3	28.11.55							3	28.11.55						
2	28.11.55							2	28.11.55						
1	30.10.53							1	30.10.53						

TESTER FOR RURAL FINAL SELECTORS ORDINARY AND TOLL 2000 TYPE

GBW 11590



FIG.1 TESTER



PROOF

50v	S	<input type="checkbox"/> SLOW RELEASE	<input checked="" type="checkbox"/> SLOW OPERATE
NEW SHEET ADDED			
ISS DATE	DEL	DC ORDER	CKO/APPD CHANGE
DRN S.S. SECT	CKD	ORIGIN	S.S. SECT.
TCD A.G.	APPD	STANDARD AT W22001	
NZPO ENGINEER-IN-CHIEF, WELLINGTON.			
		E2	GBW 11590
		A1	

TESTER FOR RURAL FINAL SELECTORS ORDINARY AND TOLL 2000 TYPE

UD 237

