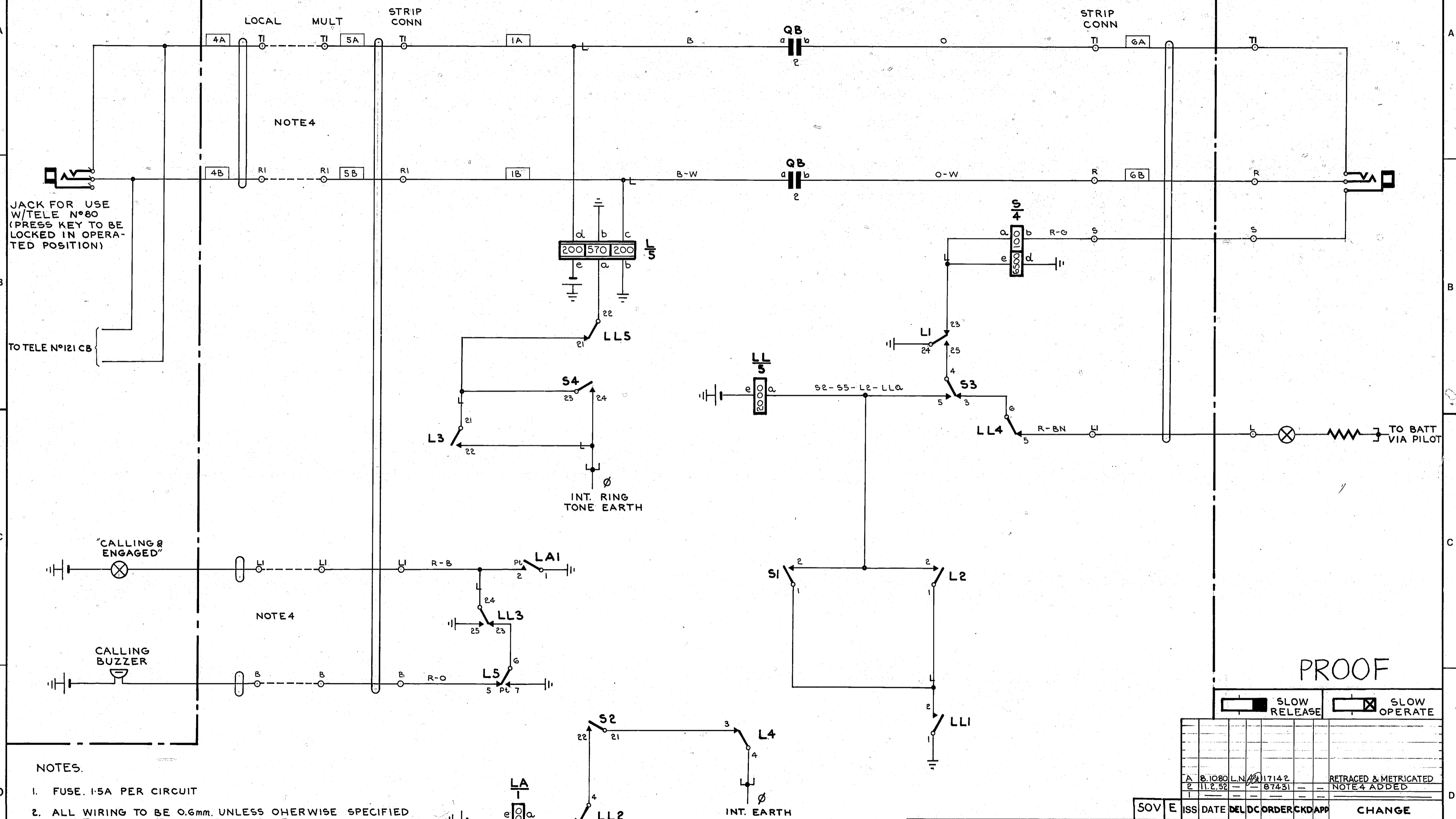


M. D. F.
(EXPLANATORY ONLY)

M. A. R.

TEST DESK
(EXPLANATORY ONLY)



NOTE 4

NOTE 4

- NOTES.
1. FUSE. 1.5A PER CIRCUIT
 2. ALL WIRING TO BE 0.6mm. UNLESS OTHERWISE SPECIFIED. PLATE WIRING TO BE 0.6mm OR 0.5mm
 3. Ø FOR WIRING SEE GBW. 10870 (MDF) OR GBW 10690 (MAR) OR EQUIVALENTS
 4. WHEN IDF IS NOT PROVIDED CONNECTIONS TO BE CABLED DIRECT FROM MAR. TERMINALS TO M. D. F.

BATT. BK 0.9mm. FUSE 3B Le-LLe-LAe
EARTH R 0.9mm. ETH. BAR 3A L24-Lb-L7-sd-LA1-LL25-LL1

PROOF

 SLOW RELEASE SLOW OPERATE

A	B.1080	L.N.	17142	RETRACED & METRICATED
2	11.2.52		87431	NOTE 4 ADDED
1				

ISS DATE DEL DC ORDER CKD APP CHANGE

DRN T-EQPT CKD ORIGIN T-EQPT
TCD L.N. APPD STANDARDATW 22001
NZPO ENGINEER-IN-CHIEF, WELLINGTON

TEST DESK
SPEAKER CIRCUIT
TO LOCAL M.D.F.

SHT. OF 1
SIZE A2 GBW 11570

UD 236