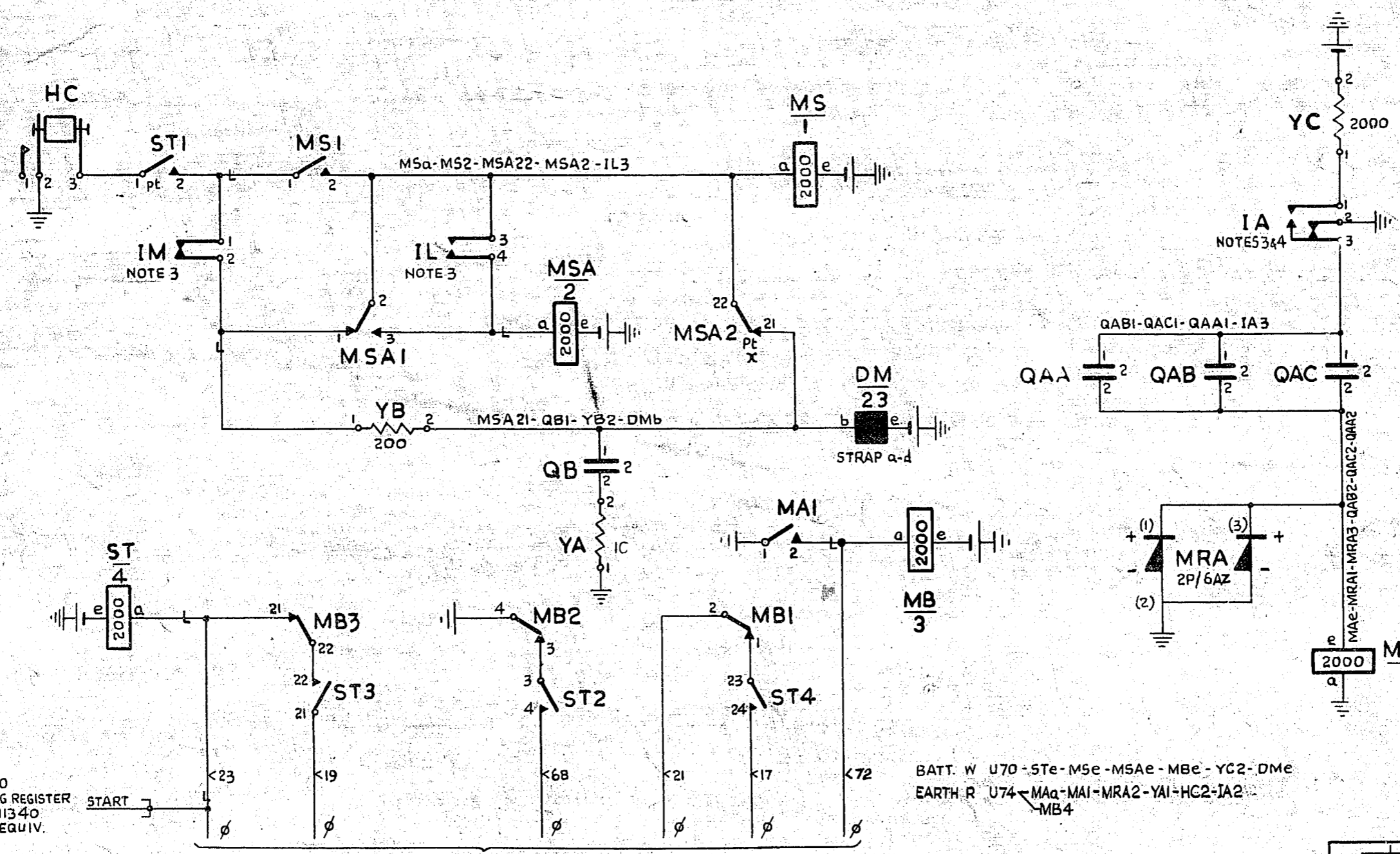


NOTES
2 & 3



TO INTERWORKING REGISTER
GBW 11340
OR EQUIV.

TO IMPULSE MACHINE CONTROL & ALARM CIRCUIT

BATT. W U70-STe-M5e-MSAe-MBe-YC2-DMe
EARTH R U74-MAq-MAI-MRA2-YAI-HC2-IA2-MB4

NOTES

1. FUSING: 3-0A PER CIRCUIT
2. MECHANICAL BAR WITH IMPULSING & ALARM SPRING SETS SHOWN IN NORMAL POSN AS SEEN FROM FRONT.
3. L = LINE SPRING SETS WITH 33% MAKE. IM = IMPULSE M/C MAGNET SPRINGSET WITH 66% MAKE. IL = IMPULSE MACHINE LINE SPRING SET WITH 33% MAKE. IA = IMPULSE M/C ALARM SPRING SET.
4. SPRING IA2 AND SPRING 2 OF ALL LINE SPRING SETS OPERATE BY THE OVERTHROW OF THE BAR ON EACH RELEASE.
5. ∅ FOR WIRING SEE GBW 11450 OR EQUIV.

AMENDMENT PARTICULARS		ISSUE	DATE	APPD.
CONNECTION U72-MA2 ADDED.		(82778)	2	24.7.64
		1	10.11.50	

IMPULSE MACHINE (10 IPS) FOR TYPE RS4 INTERWORKING REGISTERS.				
CONTROL CIRCUIT				
REF. STC DRG. LX2067 GRP 3	50V	E		
GBW 11520		SIZE S		
N.Z.P.O.	DRAWN	CHECKED	WIRED	ENGIN