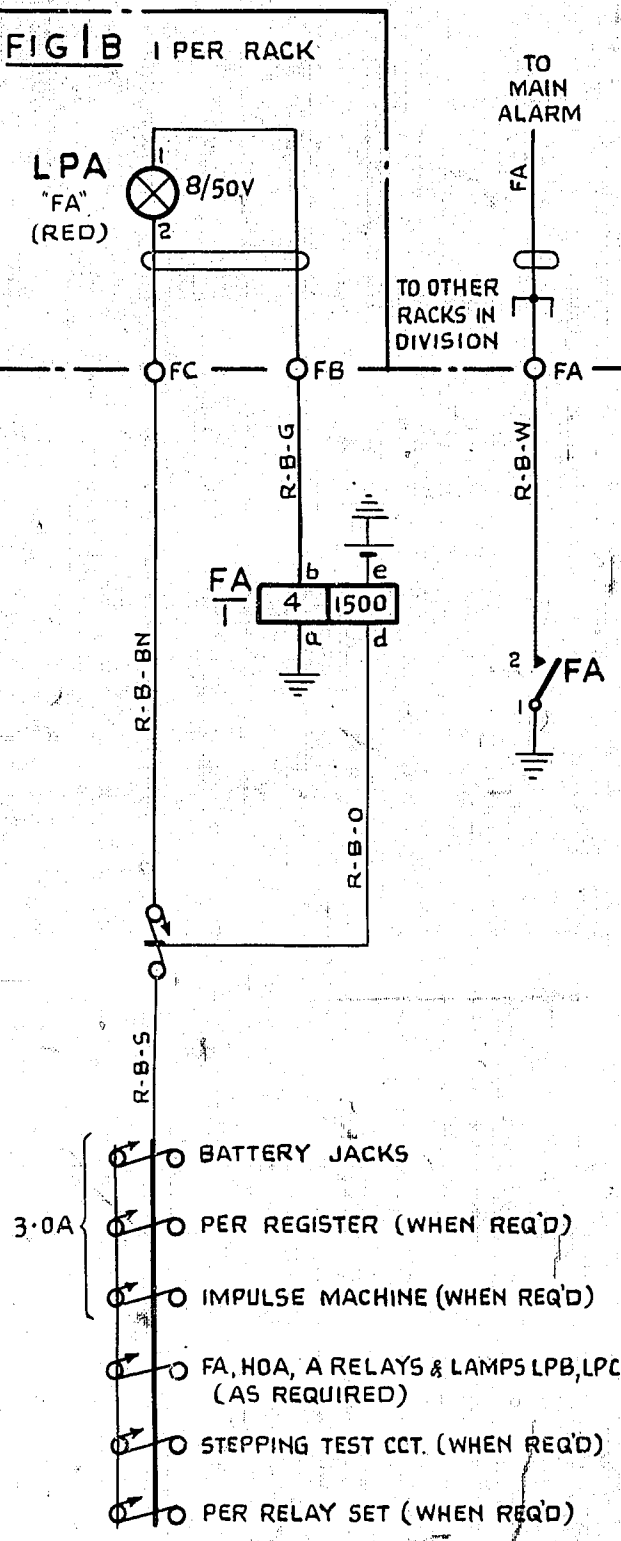


FIG 1 FUSE ALARM



ALL FUSES NOT OTHERWISE SPECIFIED TO BE 1-5A

FIG 1A
1 PER RACK

BATT EARTH SEE FIG. 3A

FIG. 2 BATTERY JACKS

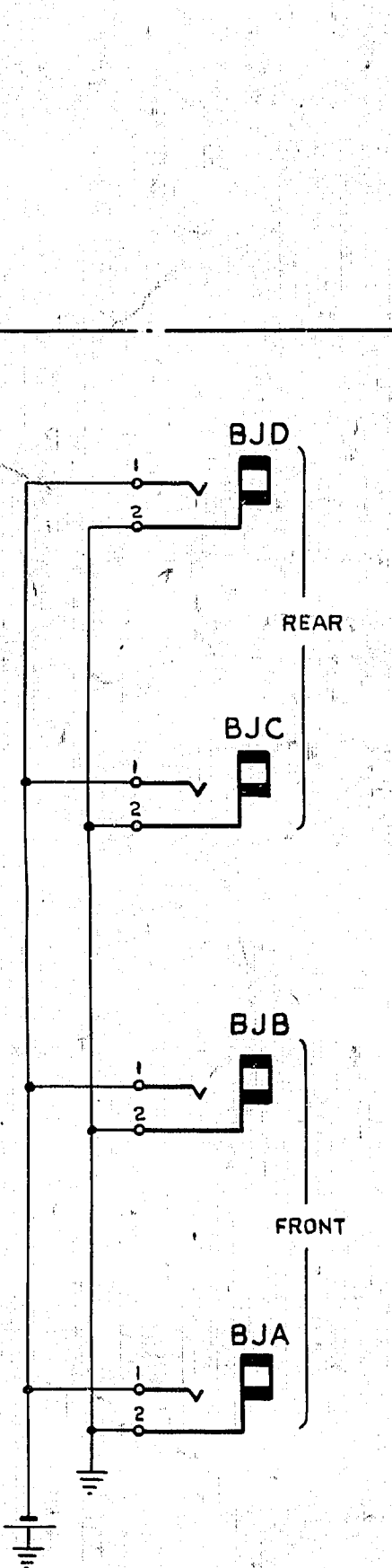


FIG 2A
1 PER RACK

BATT. BK FUSE (1B) BJC1-BJD1
BJA1-BJB1
EARTH R ETH BAR (1A) BJC2-BJD2
BJA2-BJB2

FIG. 3 HOLD-OVER ALARM

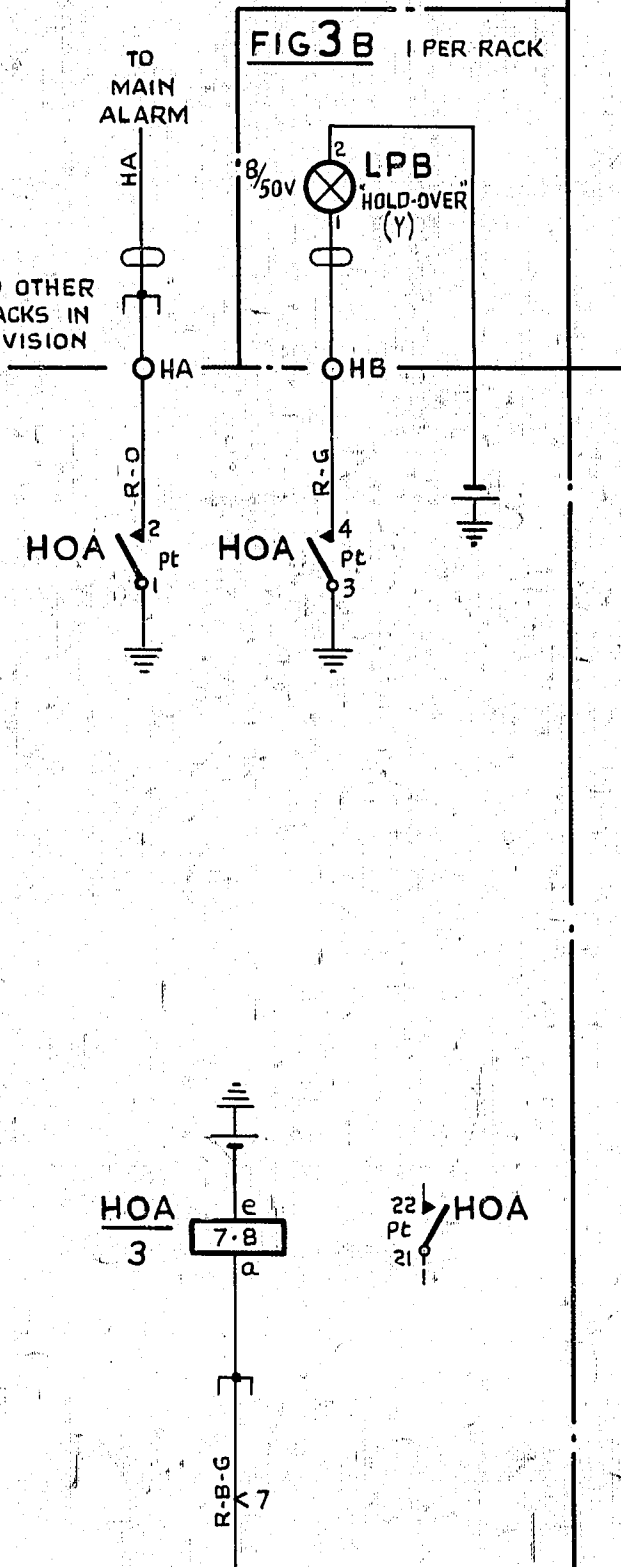


FIG 3A
1 PER REGISTER RACK

BATT. BK. FUSE (LPB2-LPC2)
FAe-(HOAe-Ae-YA2)
EARTH R ETH BAR FAa-FAI-(HOA1-HOA3-A21-AI-A3)
(KR2-KR22-KCR5-KCR25)

FIG 4 IMPULSE MACHINE CONTROL AND ALARM CIRCUIT

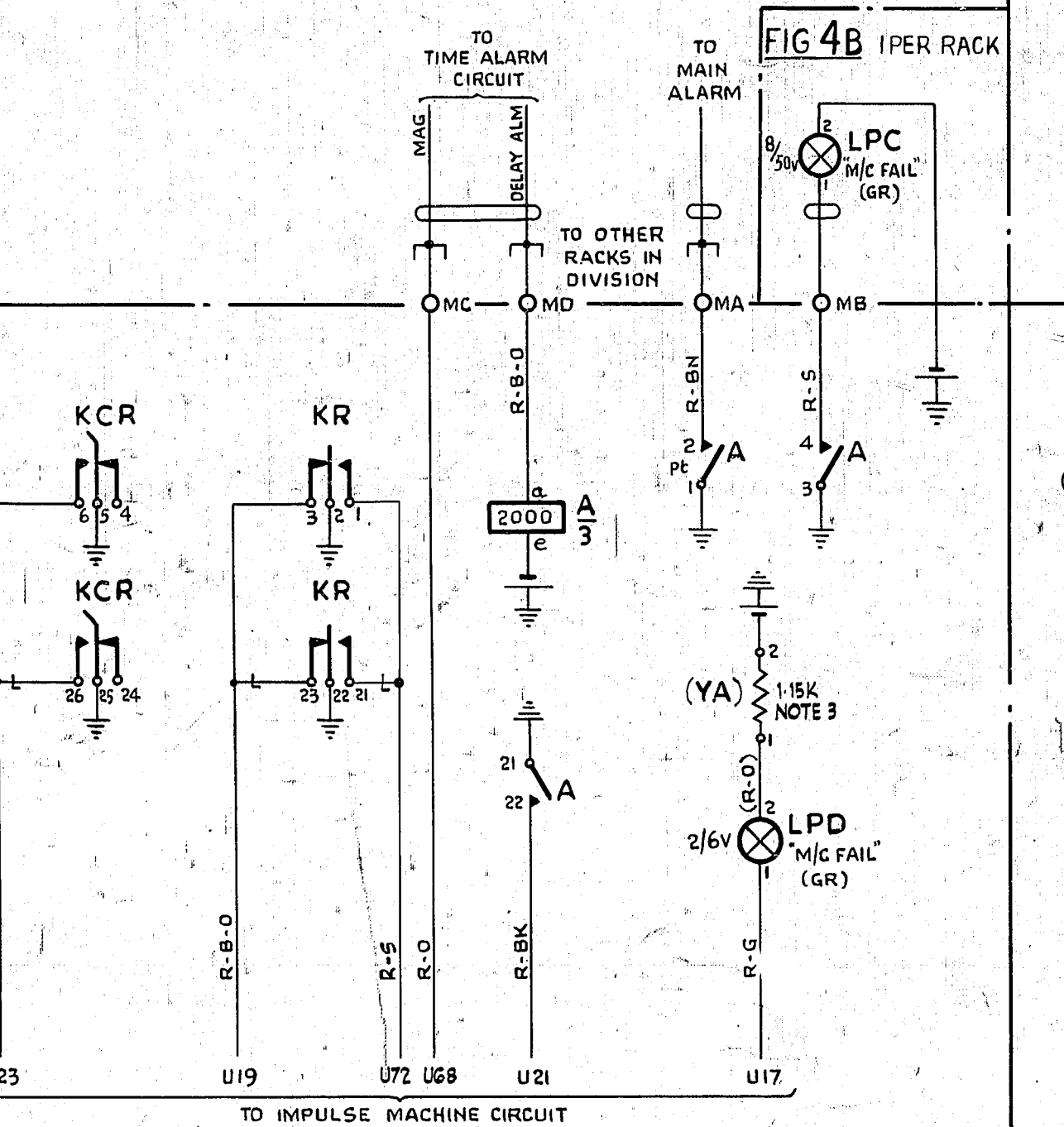


FIG 4A
1 PER REGISTER RACK

CONT. RUN (KCR) 2 + RESET (KR) 2

FIG 5 BUSY TONE EARTH DISTRIBUTION

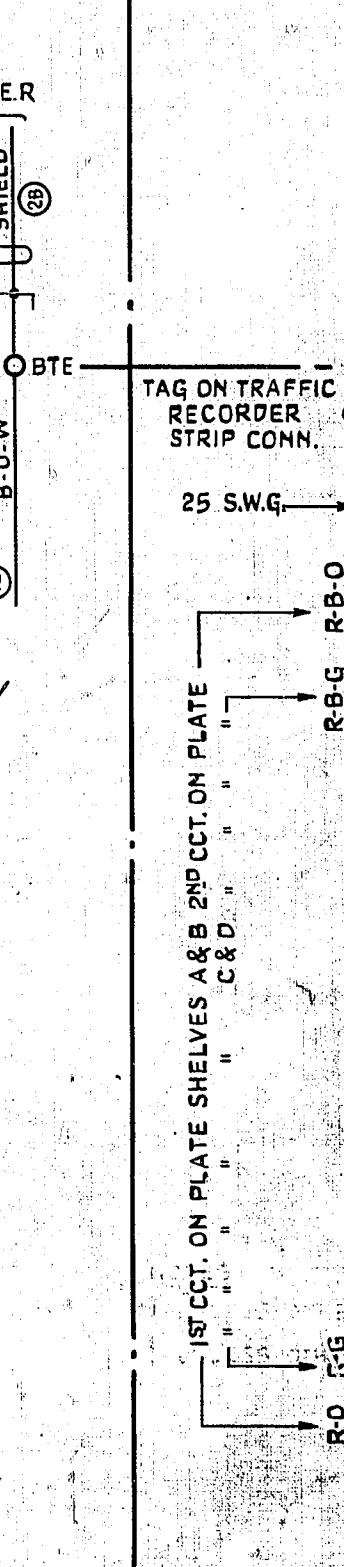


FIG 5A
1 PER REGISTER RACK

FIG. 6 TRAFFIC RECORDER

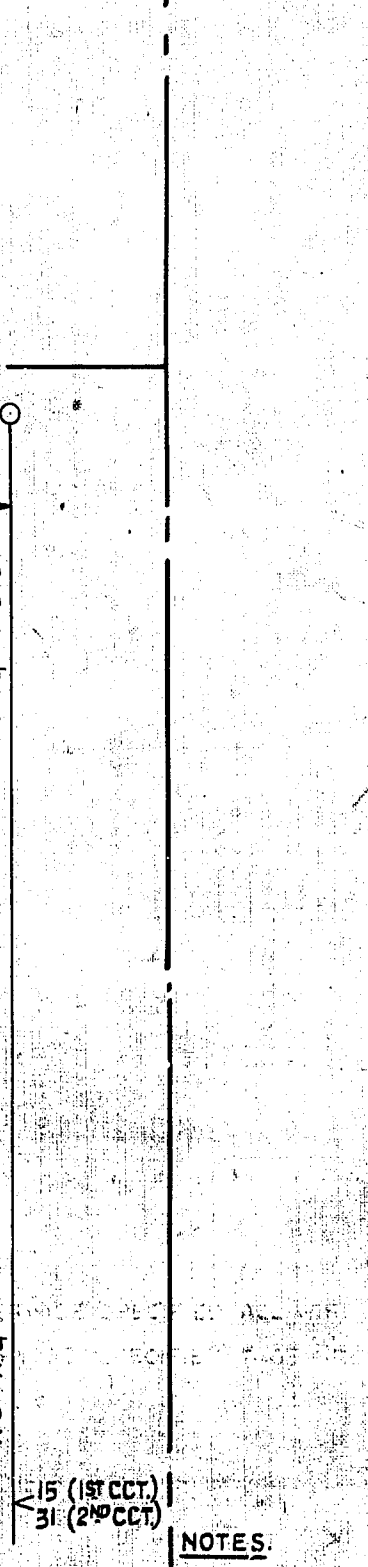


FIG. 6A
2 PER RELAY SET.

- NOTES:
1. UNLESS OTHERWISE SPECIFIED ALL WIRING TO BE 22 S.W.G.
 2. UNLESS OTHERWISE SPECIFIED TAGS ARE ON RACK MISC. STRIP CONN.
 3. ON SOME EARLY EQUIPMENT YA IS 12K TYPE N2 12



COMMON SERVICES RACK WIRING INTERWORKING RELAY SET RACK & REGISTER RACK (7A ROTARY TO STEP BY STEP)			
AMENDMENT PARTICULARS	ISSUE	DATE	APPP
NOTE 3 & FIG 4A CONNECTION TO U72 ADDED (82777)	3	24.7.64	DBK
FIGS. 6 & 6A ADDED. (1340) (72613)	2	31.1.58	DBK
REF. ST & C DRGS. L96142 & L16116	50V	E	
SIZE M			
GBW 11450			
N.Z.P.O.	DRAWN	CHECKED	WIRING ENGINEER