

FIG1 UP TO 5 LAMP APPEARANCES. DIRECTLY CONNECTED

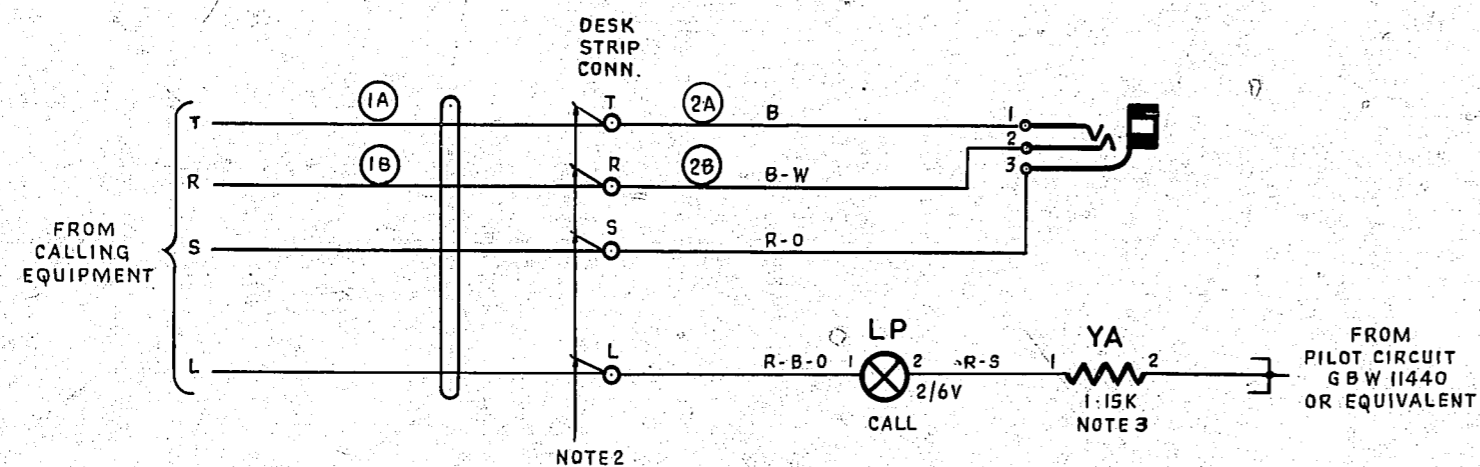


FIG3 UP TO 5 LAMP APPEARANCES. CONNECTED VIA I.D.F.

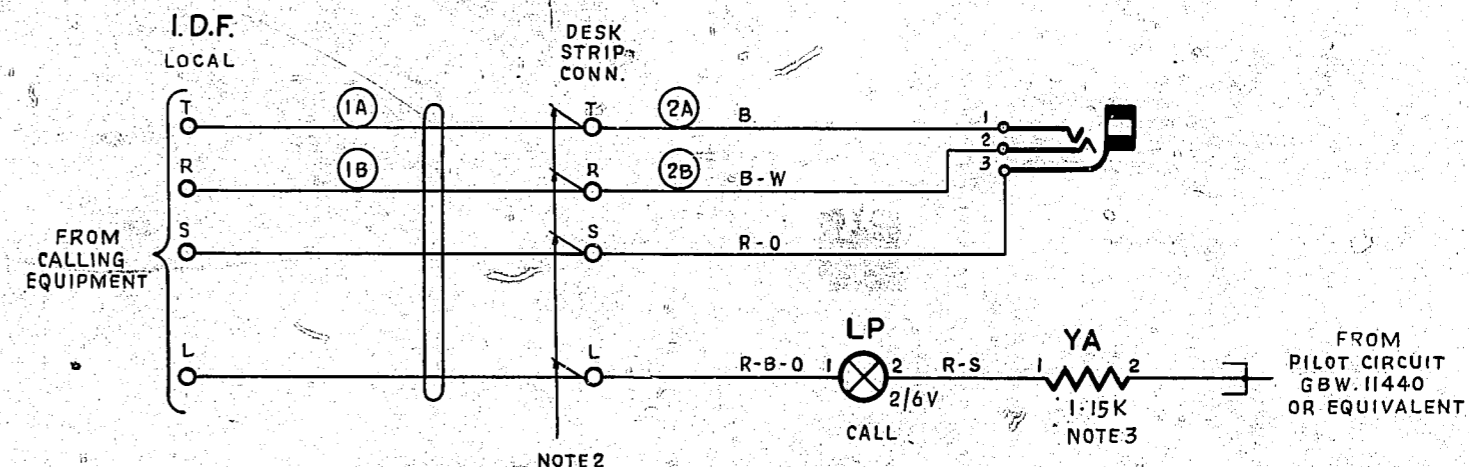


FIG2 OVER 5 LAMP APPEARANCES. DIRECTLY CONNECTED

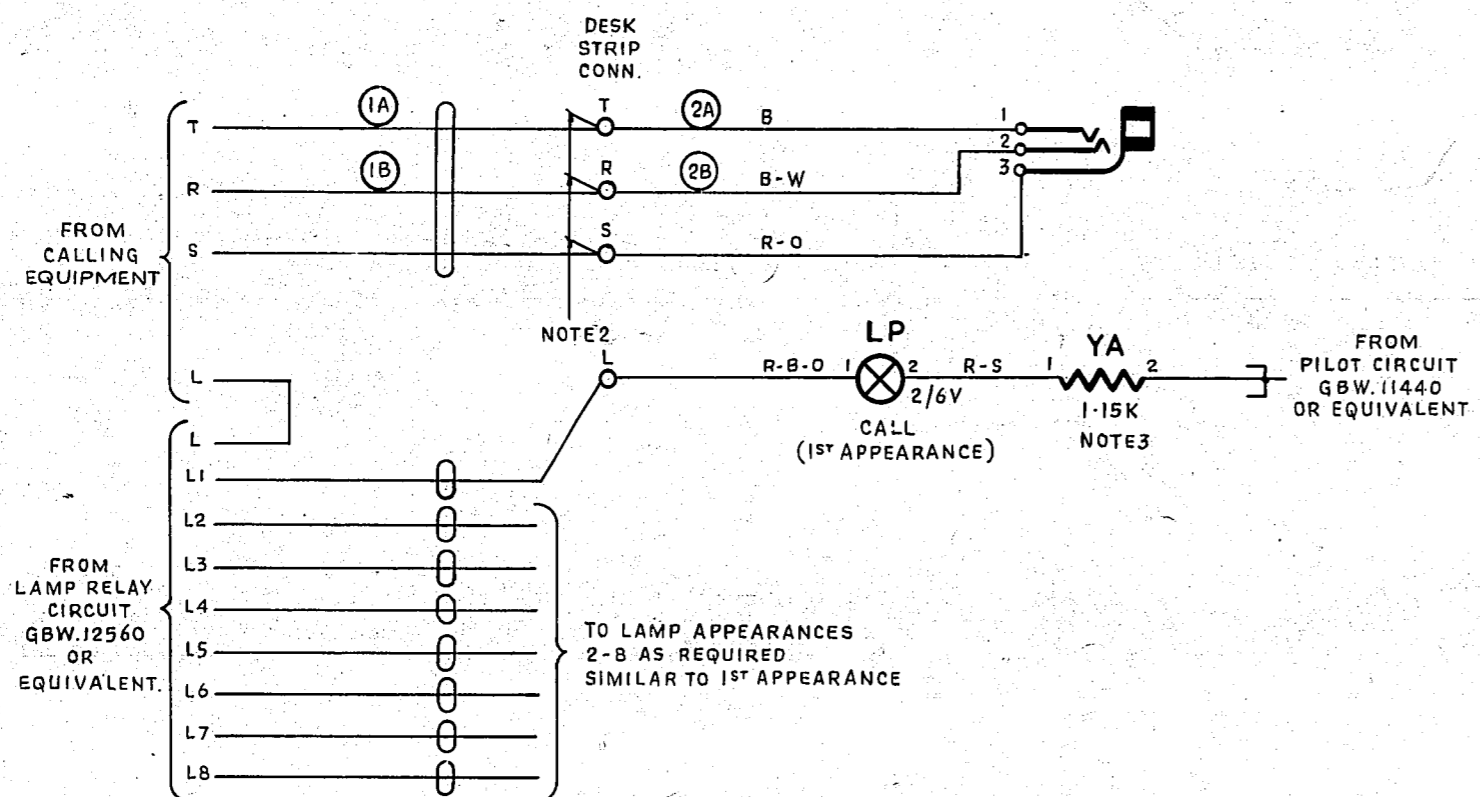
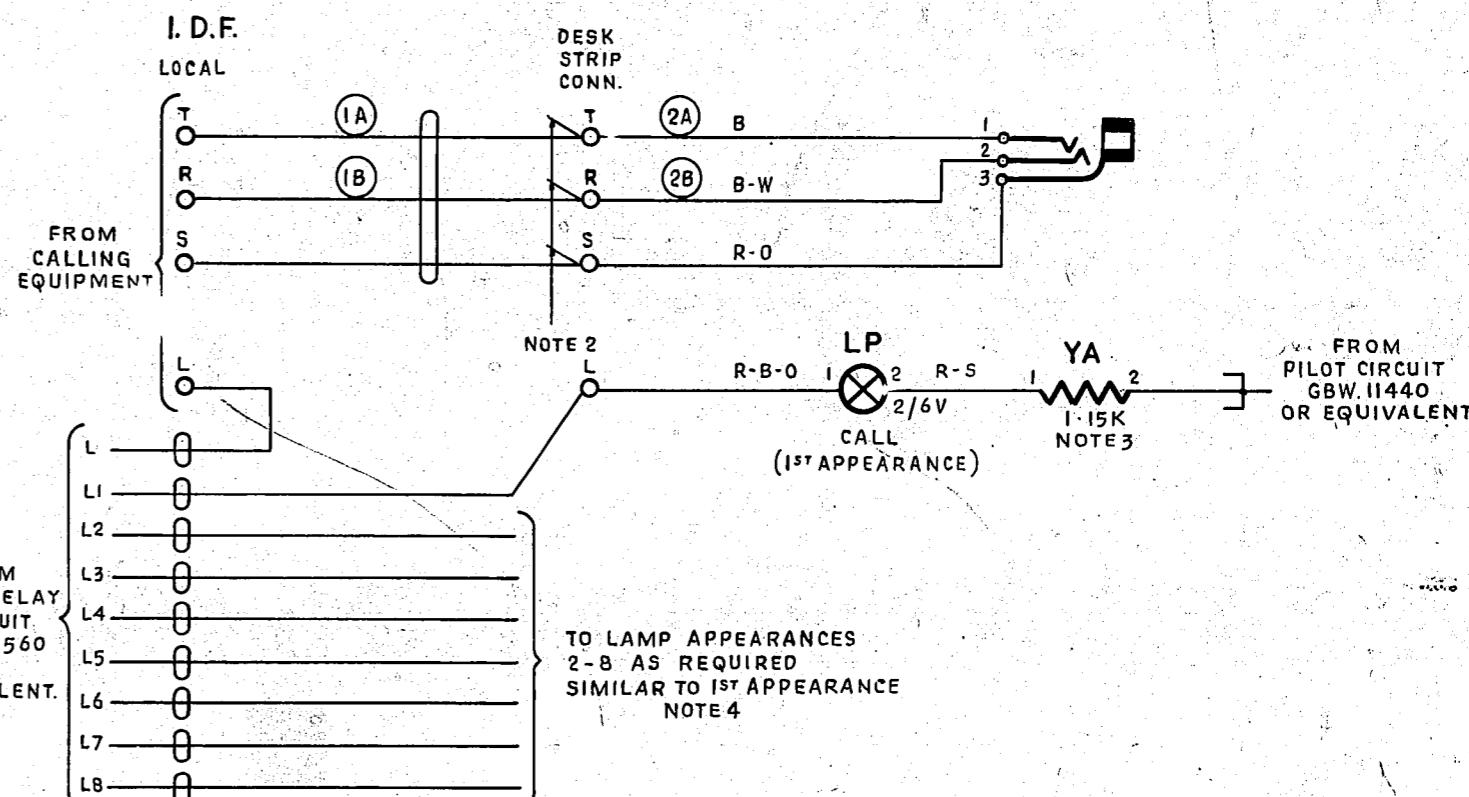


FIG4 OVER 5 LAMP APPEARANCES. CONNECTED VIA I.D.F.



NOTES

1. ALL WIRING TO BE 25 SWG. UNLESS OTHERWISE SPECIFIED.
2. THESE CONNECTIONS REQUIRED ONLY WHEN MULTIPLIED JACK APPEARANCES ARE SPECIFIED.
3. AT SOME EARLY EXCHANGES THESE LAMP RESISTORS WERE 1.2K OHMS.
4. WHEN CALLING LAMP APPEARANCES ARE REQUIRED ON TURRETS IN ADDITION TO THOSE ON THE TEST DESK, THE APPROPRIATE NUMBER OF LAMP LEADS ARE TO BE CABLED TO GBW.12510 FIG1B OR EQUIV.

				TEST DESK ANSWERING JACK EQUIPMENT			
REDRAWN. ALTERNATIVE CONDITIONS ADD(32402)				3	15.6.59	J.W.	
AMENDMENT PARTICULARS				ISSUE	DATE	APPD	
N.Z.P.O.				DRAWN M.D.G.	CHECKED	WIRING	CIRCUIT
				GBW 11420			

