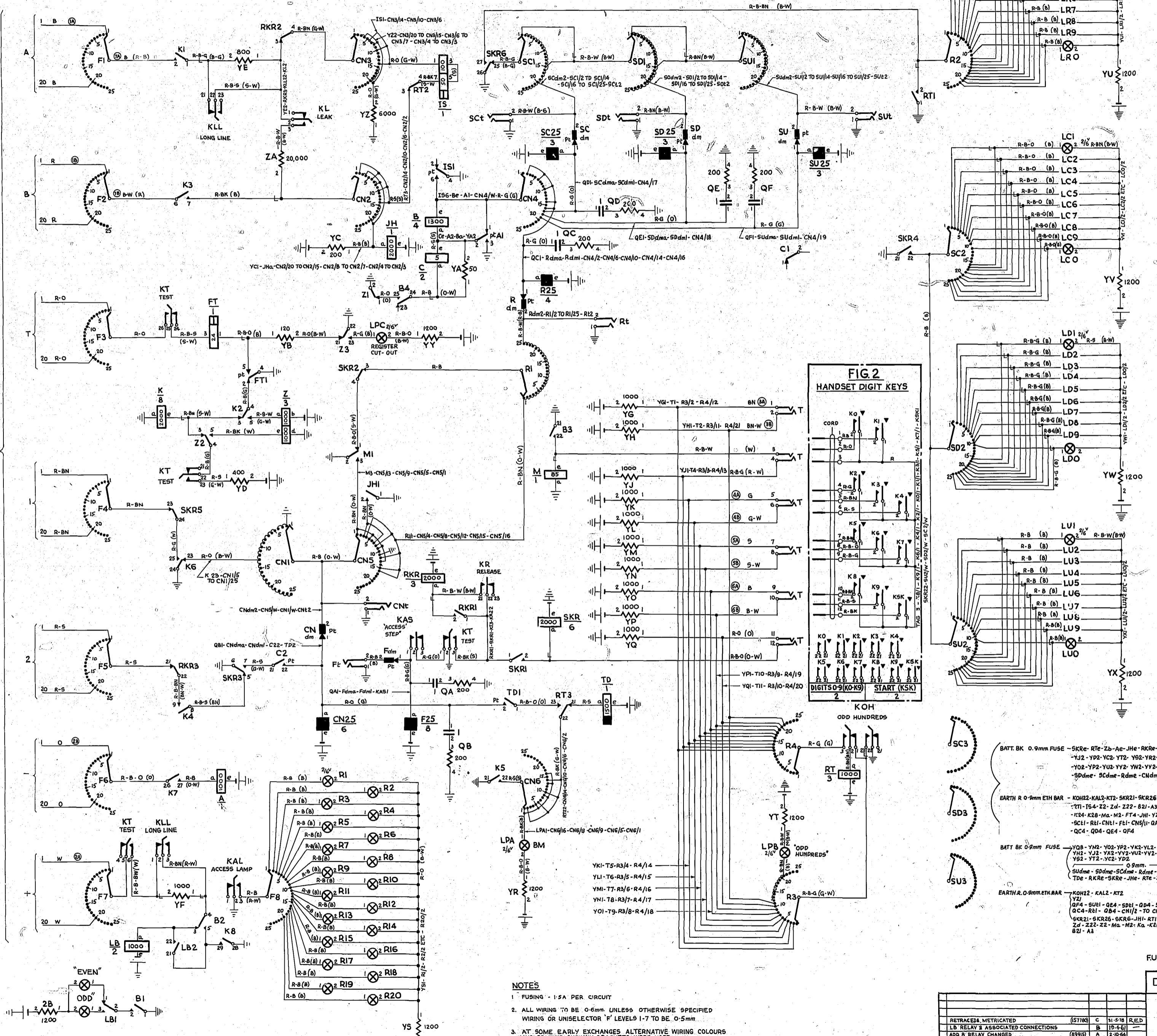


FIG. 1. TEST CIRCUIT



TO INTERWORKING REGISTER TYPE RS4 GBW 11340 MOD. B. OR EQUIV.

FIG. 2. HANDSET DIGIT KEYS

NOTES

- FUSING - 1.5A PER CIRCUIT
- ALL WIRING TO BE 0.6mm UNLESS OTHERWISE SPECIFIED WIRING OR UNISELECTOR 'F' LEVELS 1-7 TO BE 0.5mm.
- AT SOME EARLY EXCHANGES ALTERNATIVE WIRING COLOURS AND ROUTING SHOWN IN BRACKETS WERE USED

BATT. BK 0.9mm FUSE - SKR6-RT2-Zb-Ac-JHE-RKR6-TDe-YG2-YH2-YJ2-YP2-YC2-YT2-YG2-YR2-YL2-YK2-YM2-YO2-YP2-YU2-YY2-YV2-YY2-YX2-YZ2-SUDme-SDme-SDme-SCdme-Rdme-CNdme-Fdme

EARTH R 0.9mm ETH BAR - KOH2-KAL2-KT2-SKR21-SKR26-SKR6-TT1-TS4-Z2-Zd-Z22-B21-A3-Ka-K21-K24-K28-Ma-M2-F4-JH1-YZ1-SU1-SU11-SC1-RE1-CN1-FE1-CN1/11-QA4-QB4-QC4-QD4-QE4-QF4

BATT BK 0.9mm FUSE - YQ8-YM2-YO2-YP2-YK2-YL2-YM2-YN2-YO2-YJ2-YK2-YL2-YM2-YN2-YR2-YS2-VT2-VY2-YD2

0.9mm SUDme-SDme-SCdme-Rdme-CNdme-Fdme TDe-RKR6-SKR6-JHE-RT2-Zb-AC-ZB-LB8

EARTH R 0.9mm ETH BAR - KOH2-KAL2-KT2 YG4-SU1-QA4-SU1-QA4-SCH1-QC4-RB1-QB4-CN1/2-TO-CN1/4-CN1/5-CN1/6-QA4-F14-SKR21-SKR26-SKR6-JH1-RT1-F4-154-Zd-Z22-Z2-Ma-M2-Ka-K21-K24-K28-B1-B21-A3

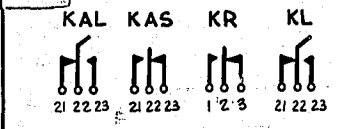
FU. WITH GBW 11340 MOD. B.

SLOW RELEASE SLOW OPERATE

TYPE RS4 EQPT. INTERWORKING REGISTER STEPPING TEST CCT.

RETRACED METRICATED	(5780)	C	31-37	RED
LB RELAY'S ASSOCIATED CONNECTIONS	(6915)	A	15-41	RED
ADD B RELAY CHANGED	(6915)	A	210-64	
AMENDMENT PARTICULARS		ISSUE DATE	APR.	REFS. STC. DRGS. L96296/1-96297/1
		SIZE		
NZ PO.		DRAWN	CHECKED	WIRING
		ENGIN		

WELLINGTON CENTRAL 1 ONLY



ODD HUNDREDS (KOH)	ACCESS LAMP (KAL)	LEAK (KL)	LONG LINE (KLL)	RELEASE (KR)	TEST (KT)	ACCESS STEP (KAS)
2	2	2	2	2	4	2

O.M.S

