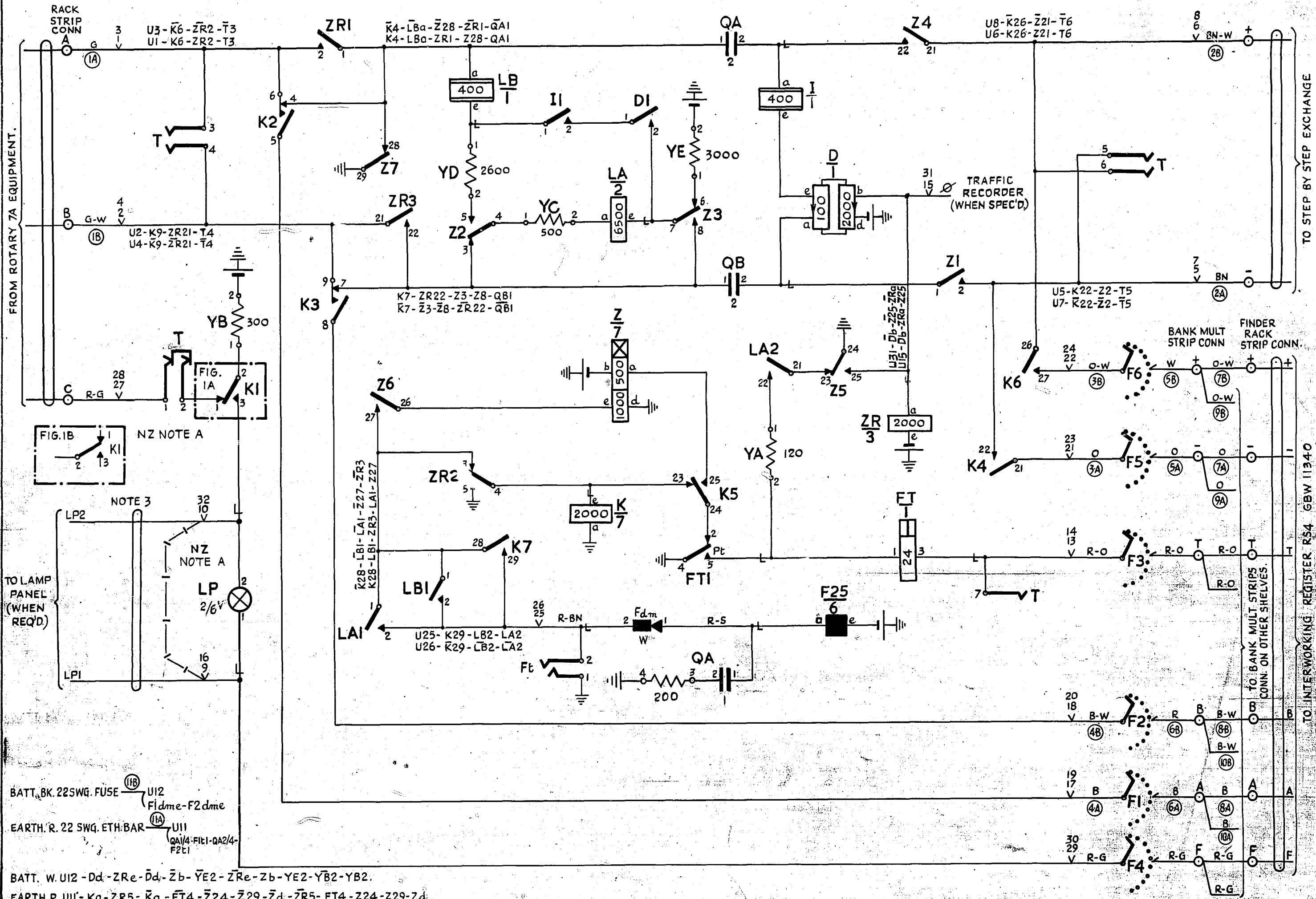


FIG. 1



BATT. BK. 22 SWG. FUSE (11B) UI2  
 F1dme-F2dme  
 EARTH. R. 22 SWG. ETH. BAR (11A) UI1  
 QA1/4-F111-QA2/4-F21

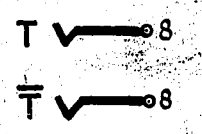
BATT. W. UI2 - Dd - ZRe - Dd - Zb - YE2 - ZRe - Zb - YE2 - YB2 - YB2.  
 EARTH. R. UI1 - Ka - ZR5 - Ka - FT4 - Z24 - Z29 - Zd - ZR5 - FT4 - Z24 - Z29 - Zd.

**NOTES.**

- FUSING:- 1.5A PER RELAY SET (2 CIRCUITS) AND ASSOCIATED UNISELECTORS.
- ALL WIRING TO BE 25 SWG. UNLESS OTHERWISE SPECIFIED.
- THESE LEADS WILL BE CABLED BY THE CUSTOMER WHEN LOCAL CIRCUMSTANCES NECESSITATE THE PROVISION OF A REMOTE LAMP PANEL, IN WHICH CASE THE RELAY SET LAMPS WILL BE REMOVED.

**N.Z. NOTES**

A. WHEN USED WITH R.S.M. RELAY SETS NZPO 34516 OR 34517 WIRE CONTACT KI AS IN FIG. 1B. ADD STRAPPING SHOWN -I-I-I- & DELETE WIRING TO LAMP PANEL. IN ALL OTHER CASES DELETE WIRING SHOWN -I-I-I- & USE FIG. 1A.



AMENDMENT PARTICULARS		ISSUE	DATE	APPD
NZ. NOTE & ASSOCIATED REFERENCES ADDED (77814)		4A	31.5.68	G.E.
TRAFFIC RECORDER CONNECTION ADDED.		4		
NOTE 3 & CONNECTIONS TO LAMP PANEL ADDED.		3		
CONDENSER QA WAS 5 + 5 μF WITH INHERENT RESISTANCE		2		
		1		
NZPO				

**INTERWORKING RELAY SET**  
**TYPE RS. 4.**  
**7A ROTARY TO STEP BY STEP**

REF. ST. & C. DRG. LR2092 SIZE S 50V E

**GBW. 11330**

DRAWN: [Signature] CHECKED: [Signature] WIRING: [Signature] ENGINEER: [Signature]

0  
5 Centimetres  
10  
15  
20  
25  
30

TO STEP BY STEP EXCHANGE

TO INTERWORKING REGISTER RS4 GBW 11340  
 OR TO INTERWORKING RELAY SET TYPE  
 R.S.M. NZPO 34516 OR 34517 N.Z. NOTE A

TO BANK MULT STRIPS  
 CONN. ON OTHER SHELVES.