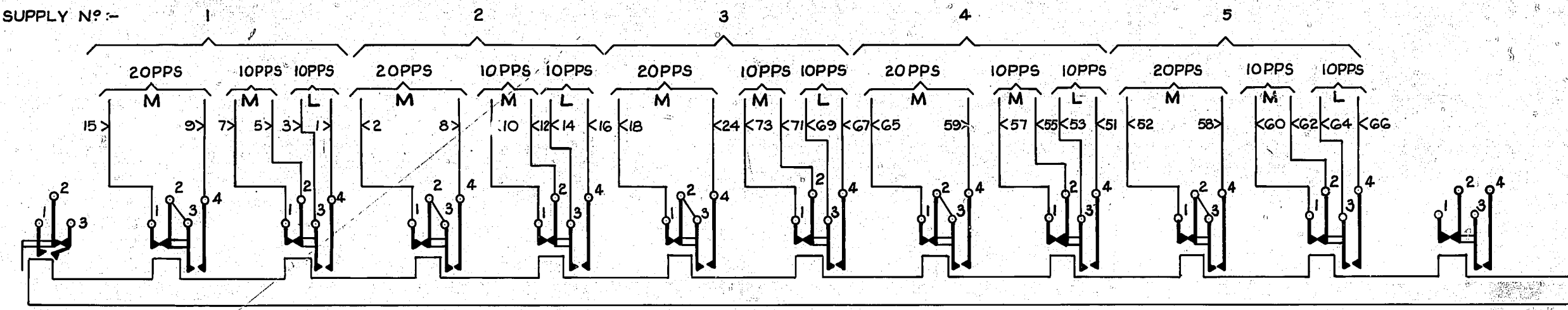


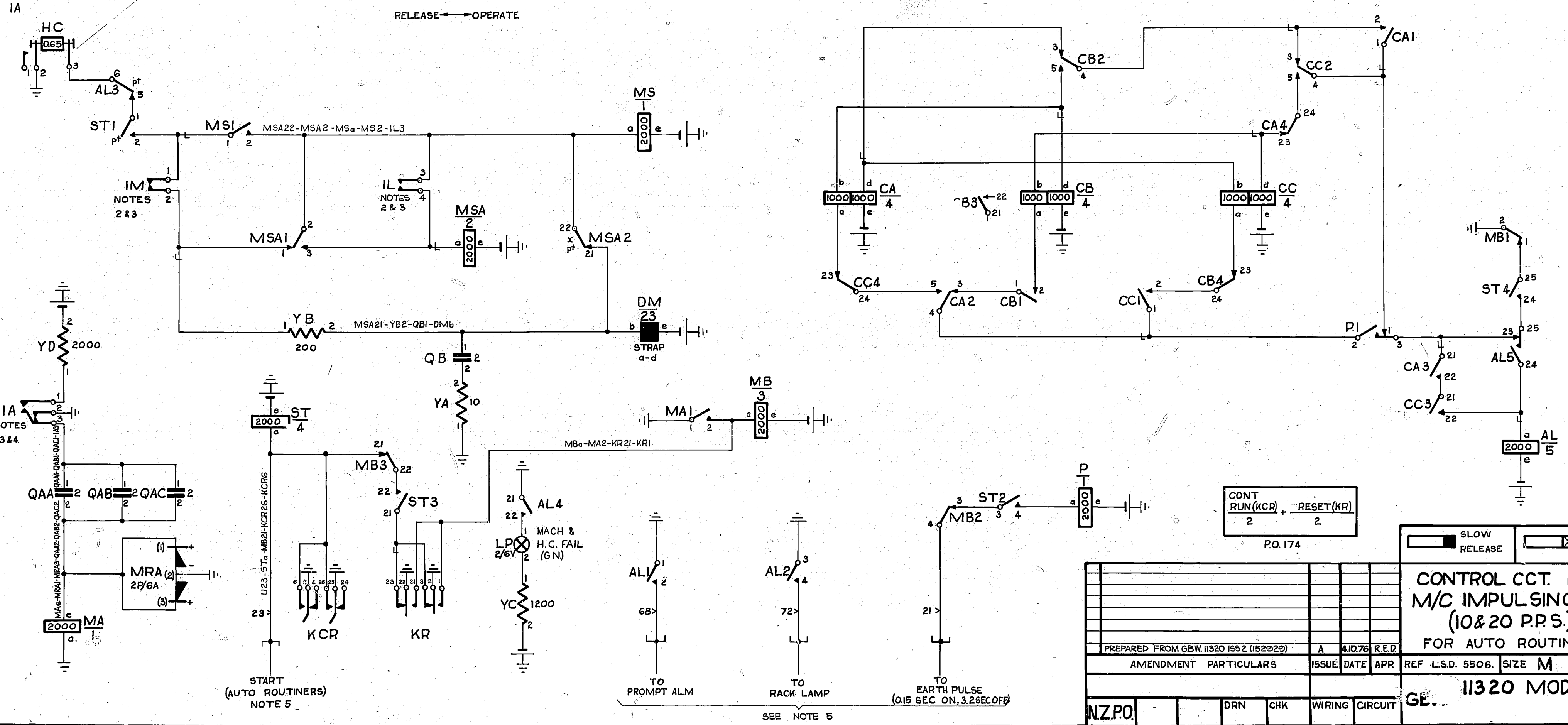
NOTE 5
SUPPLY N°:-



NOTES

1. FUSING 3-0A PER CIRCUIT
2. MECHANICAL BAR WITH IMPULSING & ALARM SPRING SETS SHOWN IN NORMAL POSITION AS SEEN FROM FRONT
3. M=MAGNET SPRING SETS WITH 66% MAKE
L=LINE SPRING SETS WITH 33% MAKE
IA=IMPULSE MACHINE ALARM SPRING SET.
4. SPRING IA2 OPERATES BY THE OVERTHROW OF THE BAR ON EACH RELEASE
5. CONNECT SUPPLIES AND START LEAD TO AUTOMATIC ROUTINERS VIA THE AER AS REQUIRED.

BATT. WH. :- U70-STe-MSa-MSAe-MBe-CAe-Pe-ALe-CBe-CCe-YC2-YD2-DMe
EARTH R. :- U74-MAa-MAI-MB2-MRA2-AL2I-ALI-AL3-YAI-HC2-KCR 25-KCR 5-KR22-KR2



CONT	2
RUN(KCR)	2
RESET(KR)	2

P.O. 174

SLOW RELEASE SLOW OPERATE

**CONTROL C.T. FOR
M/C IMPULSING N°1B
(10 & 20 P.P.S.)
FOR AUTO ROUTINERS**

PREPARED FROM GBW.11320 1552 (152022)	A	4.10.76	R.E.D.	REF L.S.D. 5506.	SIZE M	50V	W
AMENDMENT PARTICULARS	ISSUE DATE	APP.	REF L.S.D. 5506.	SIZE M	50V	W	
11320 MOD A							
N.Z.P.O.	DRN	CHK	WIRING	CIRCUIT			

START
(AUTO ROUTINERS)
NOTE 5

TO PROMPT ALM
 TO RACK LAMP
 TO EARTH PULSE
 (0.15 SEC ON, 3.25 SEC OFF)
 SEE NOTE 5