

FIG. 1A
A.E.R. ALARM DELAY RELAY SET AND DISTRIBUTION.

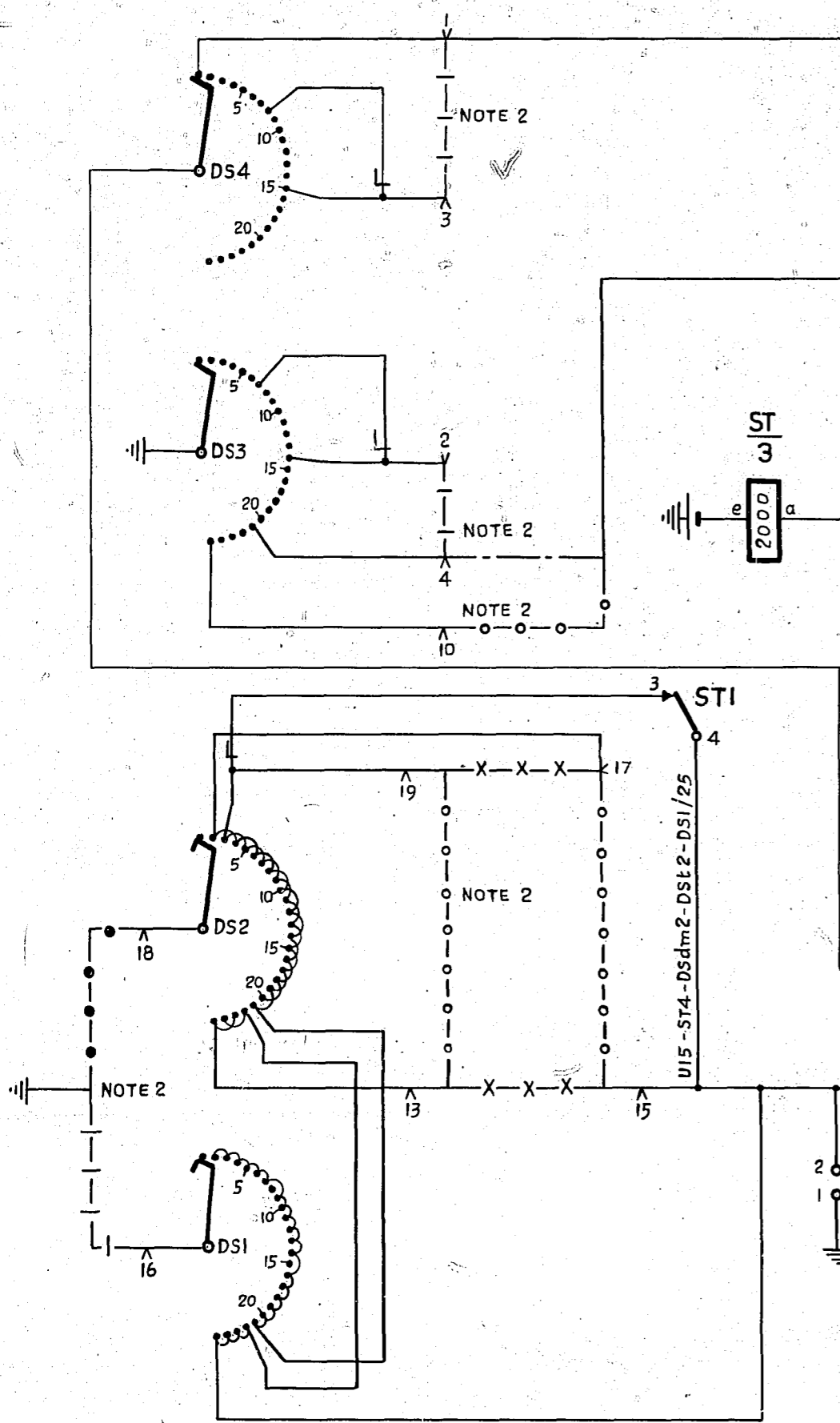


FIG. 1B
A.E.R. ALARM DELAY RELAY SET AND DISTRIBUTION.

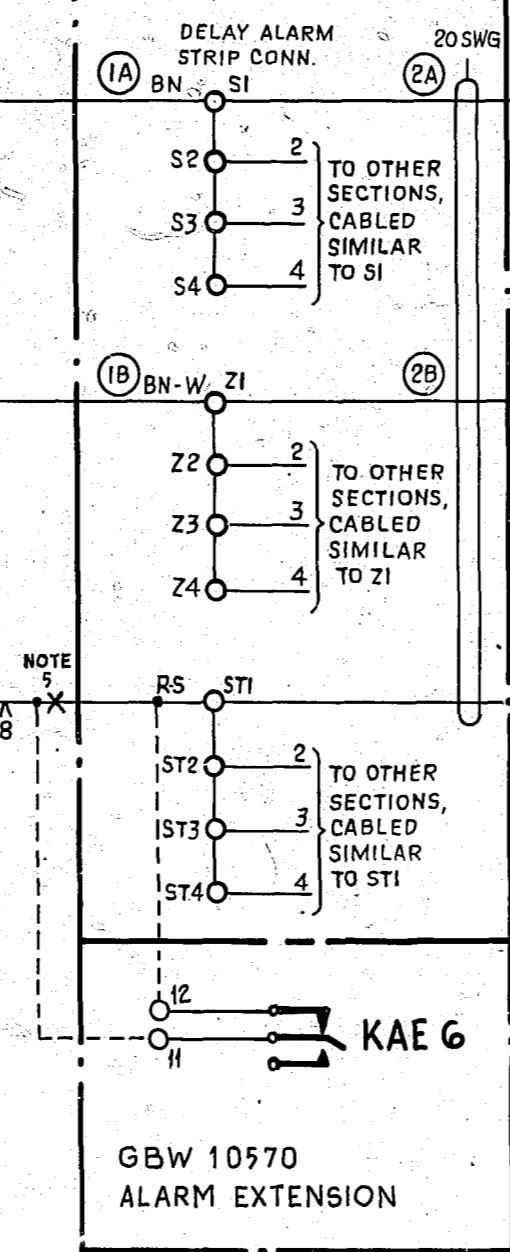
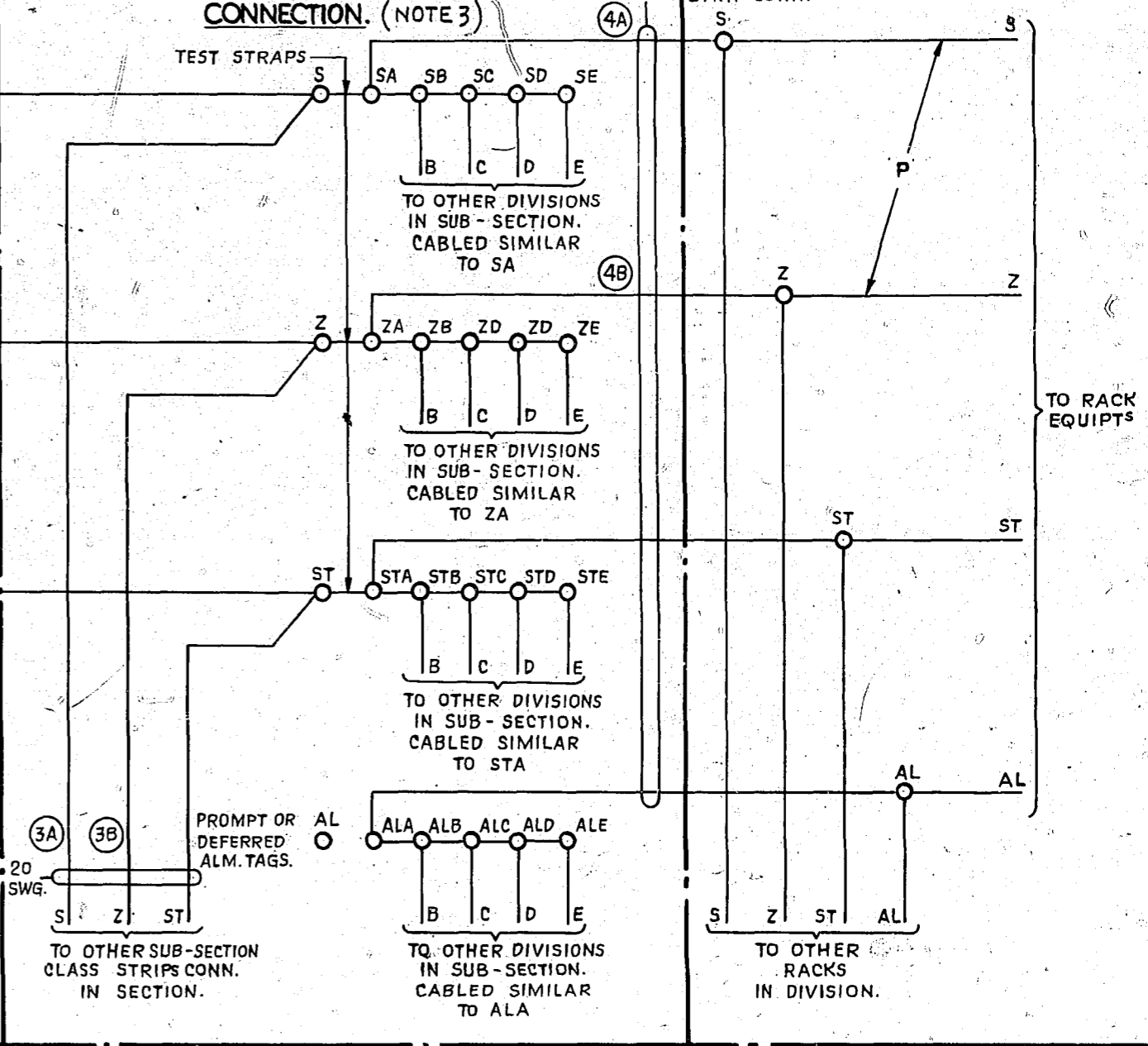


FIG. 2
CONNECTIONS TO
SUB-SECTION ALARM CLASSIFICATION STRIP
CONNECTION. (NOTE 3)

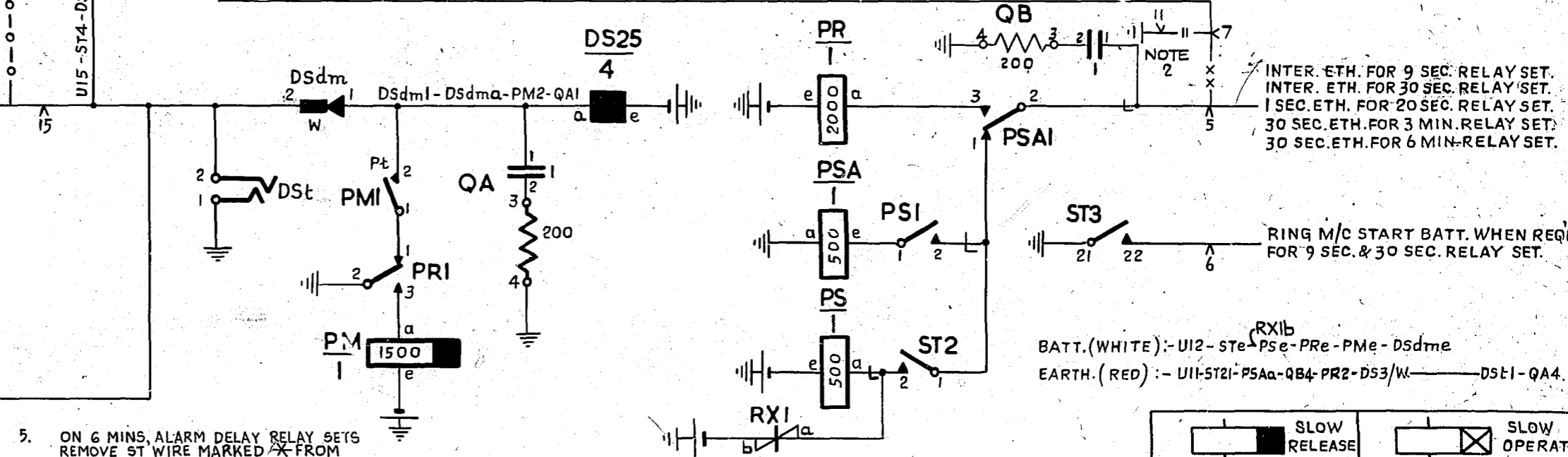


RACK 'S' & 'Z' ALARM DELAY EXPLANATORY ONLY

- NOTES**
- FUSE:- 1.5A PER CIRCUIT.
 - SHELF JACK STRAPPINGS TO BE AS FOLLOWS:-

9 SEC. DELAY (GBU11290 FIG.1A)	INSERT STRAPS
3 MIN. DELAY (GBU11290 FIG.1D)	— —
20SEC. DELAY (GBU11290 FIG.1B)	INSERT STRAPS.
30SEC. DELAY (GBU11290 FIG.1C)	— X — X —
6 MIN. DELAY (GBU11290 FIG.1E)	INSERT STRAPS
9 SEC. DELAY (GBU11290 FIG.1A)	INSERT STRAP
30 SEC. DELAY (GBU11290 FIG.1C)	— XX —
 - ON 6 MINS, ALARM DELAY RELAY SETS REMOVE ST WIRE MARKED X FROM U8 AND CONNECT WIRE MARKED --- TERMINALS ON THE ALARM CLASS. STRIP CONN. ARE SHOWN FOR EXPLANATORY PURPOSES ONLY.
 - Ø FOR WIRING SEE RELEVANT RACK COMMON SERVICE DIAGRAM.
 - (CONT'D)

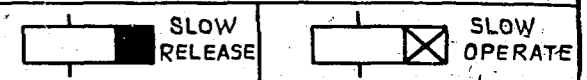
3 MIN. DELAY (GBU11290 FIG.1D)	INSERT STRAP
6 MIN. DELAY (GBU11290 FIG.1E)	— —
20SEC. DELAY (GBU11290 FIG.1B)	— —



INTER. ETH. FOR 9 SEC. RELAY SET.
INTER. ETH. FOR 30 SEC. RELAY SET.
1 SEC. ETH. FOR 20 SEC. RELAY SET.
30 SEC. ETH. FOR 3 MIN. RELAY SET.
30 SEC. ETH. FOR 6 MIN. RELAY SET.

RING M/C START BATT. WHEN REQD. FOR 9 SEC. & 30 SEC. RELAY SET.

BATT. (WHITE):- U12 - STe - RXIB - PSe - PRe - PMe - Dsdme
EARTH. (RED):- U11 - ST21 - PSAa - QB4 - PR2 - DS3/W - DS1 - QA4.



AMENDED TO NZ MX1	(42324)	4A	7-12-83	GCG
NOTE 2 EXTENDED CONNS. TO U7 ADDED	(86674)	4	28-3-08	G.E.
NOTE 5 DELETED	(11442)	3	24-11-52	M.G.B.
QB & NOTE 5 ADDED. UNISEL'S INFORMATION AMENDED		2		

AMENDMENT PARTICULARS	ISSUE	DATE	APPD

ALARM DELAY RELAY SET AND RACK DISTRIBUTION 2000 TYPE.

SIZE S 50V E

GBW 11290