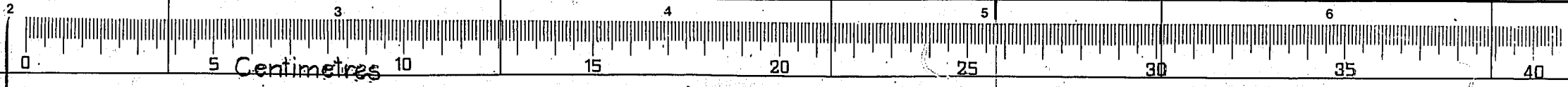


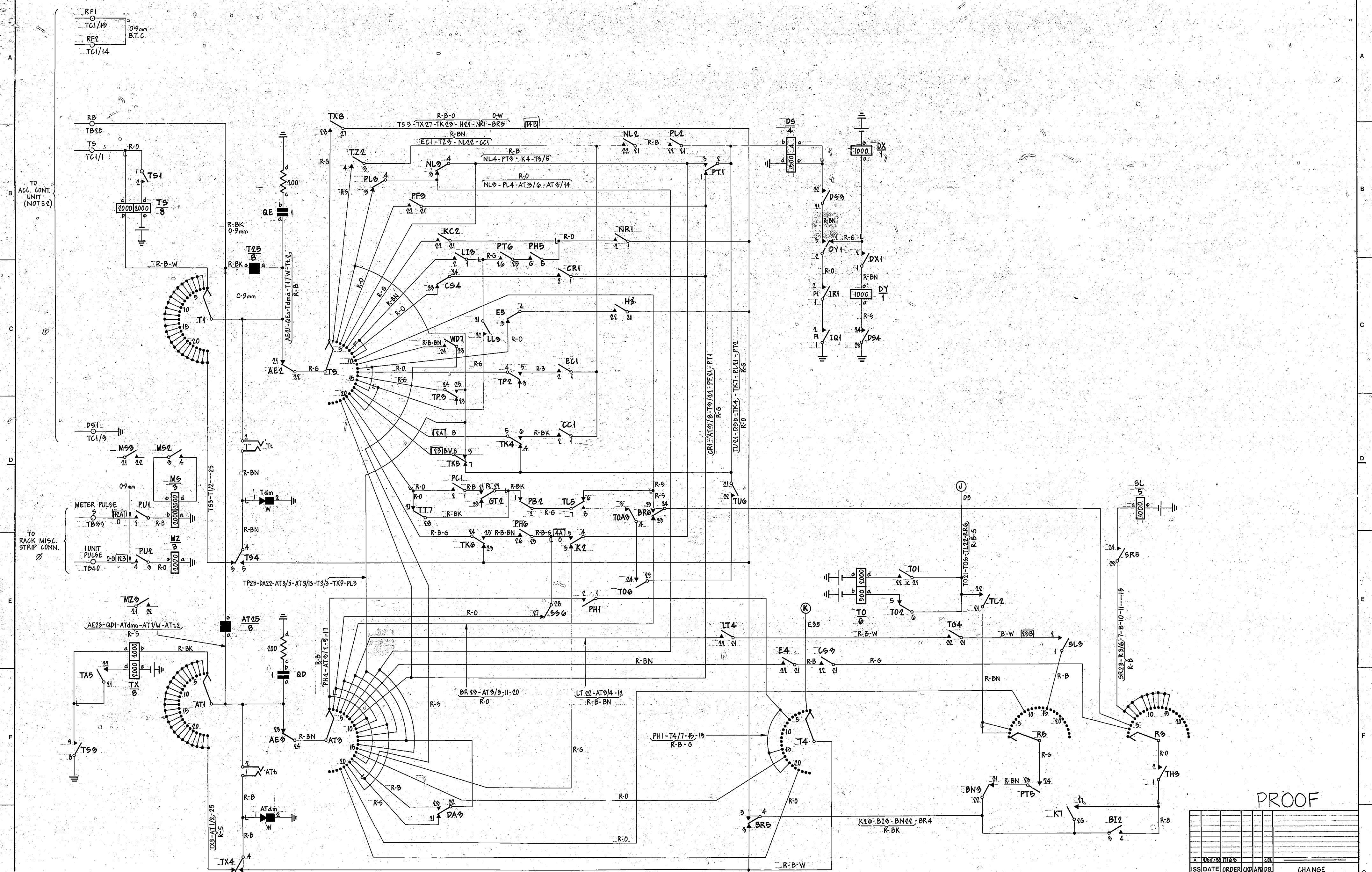
- NOTES:
- FOR FUSE DETAILS SEE ASSOCIATED ACCESS CONTROL UNIT DIAG. GBW H200 OR EQUIVALENT.
 - FOR WIRES FROM "TC" ROW ONE ON TEST UNIT TO "TC" ROW ONE ON CONTROL UNIT, SEE ASSOCIATED ACCESS CONTROL UNIT DIAG. GBW H200 OR EQUIVALENT.
 - ALL WIRING UNLESS OTHERWISE SPECIFIED TO BE 0.6mm PLATE WIRING TO BE 0.6mm OR 0.5mm UNISELECTOR BANK WIRING TO BE 0.5mm B.T.C. ON ADJACENT CONTACTS & 0.6mm B.T.C. WITH SLEEVING ON NON-ADJACENT CONTACTS WHEN NOT INCLUDED IN RACK CABLE
 - WHEN POSITIVE BATTERY IS NOT WIRED TO SELECTORS UNDER TEST, INSERT STRAPS BETWEEN RELAY SPRINGS MPI & MPZ
 - φ FOR WIRING SEE GBW H560 OR EQUIVALENT.
 - WHEN EXCH. IS NOT EQUIPPED WITH POSITIVE BATTERY, USE RELAY B1 AND ADD WIRING SHOWN IN FIG. 1B.

PROOF

50v	S	<input type="checkbox"/> SLOW RELEASE	<input checked="" type="checkbox"/> SLOW OPERATE
ROUTINER FOR FINAL SELECTORS TO			
GBW's 10770, 10780, 10790, 10800			
TEST UNIT 2000 TYPE			
ISS DATE	ORDER (K/P)	APP'D	CHANGE
DRN T. EQPT.	CKD	ORIGIN: T. EQPT.	
TCO: CEL	APPD	STANDARD: ATW22001	
NZPO: ENGINEER - IN-CHIEF, WELLINGTON		SHT. 1.04	
		SIZE A1	
		GBW H260	


UD 237

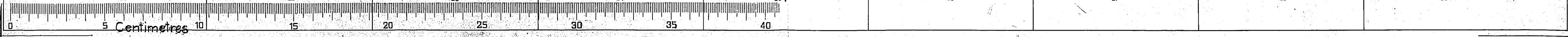


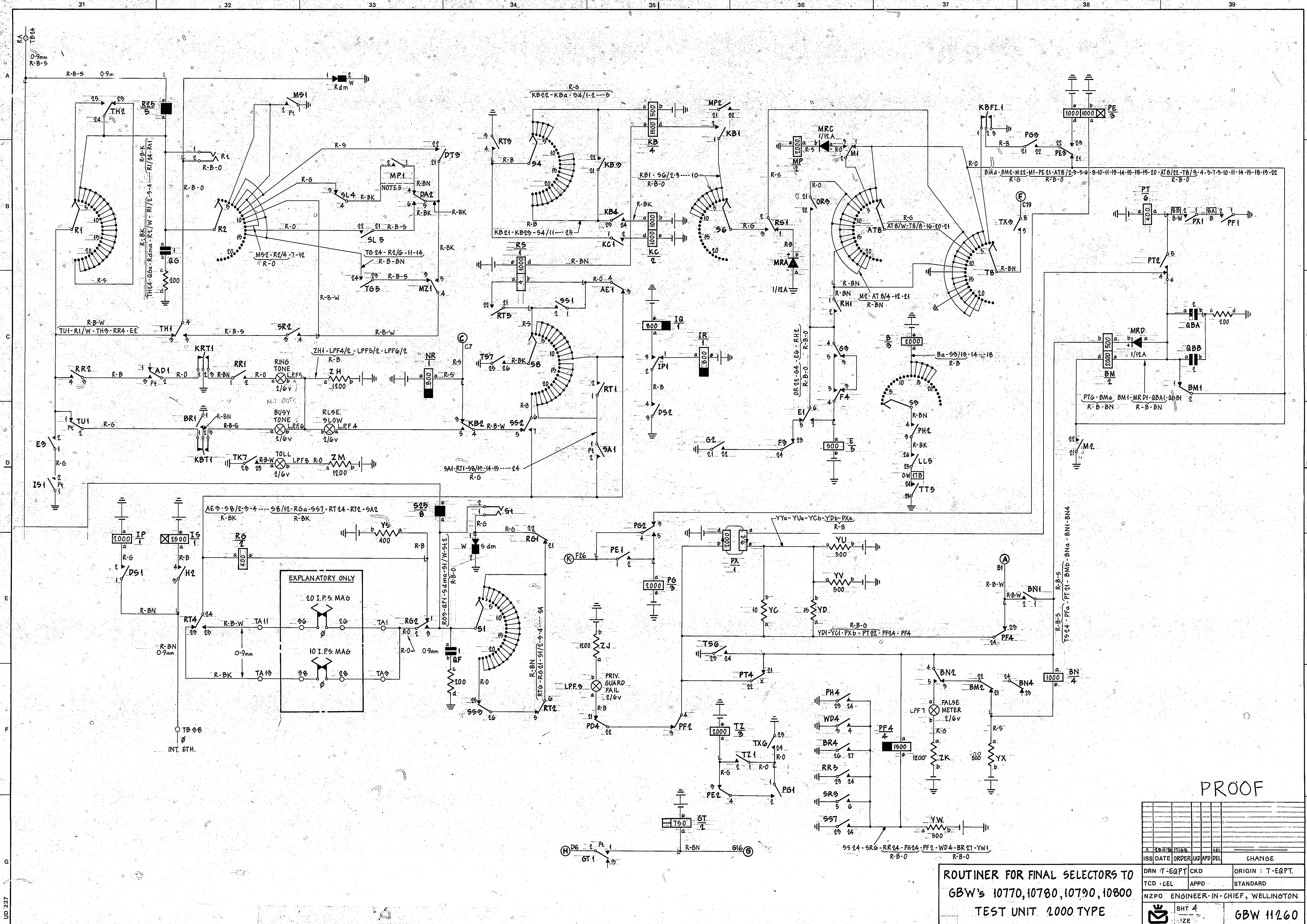


PROOF

**ROUTINER FOR FINAL SELECTORS TO
GBW's 10770,10780,10790,10800
TEST UNIT 2000 TYPE**

ISS DATE	ORDER	CHK	APP	DEL	CHANGE
DRN : T-E&PT	CKD				ORIGIN : T-E&PT
TCD : CEL	APPD				STANDARD
NZPO ENGINEER-IN-CHIEF, WELLINGTON					
 SHT 9 ZE					GBW 11260





PROOF

ISS	DATE	ORDER	BY	APP	DEL	CHANGE

DRN T-EQPT CKD ORIGIN T-EQPT.
TCD CEL APPD STANDARD
NZPO ENGINEER-IN-CHIEF, WELLINGTON
SHT 4
GBW 11260

ROUTINER FOR FINAL SELECTORS TO
GBW's 10770, 10780, 10790, 10800
TEST UNIT 1000 TYPE

