

TO ACC. CONTINUIT (NOTE 2)

**FIG. 3**  
NOTE 6.

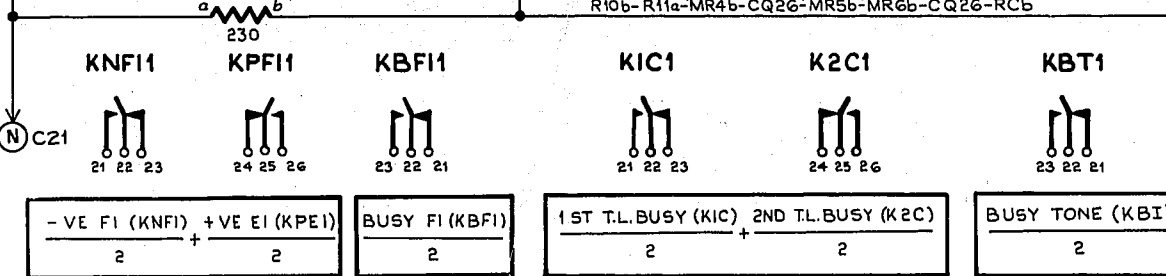
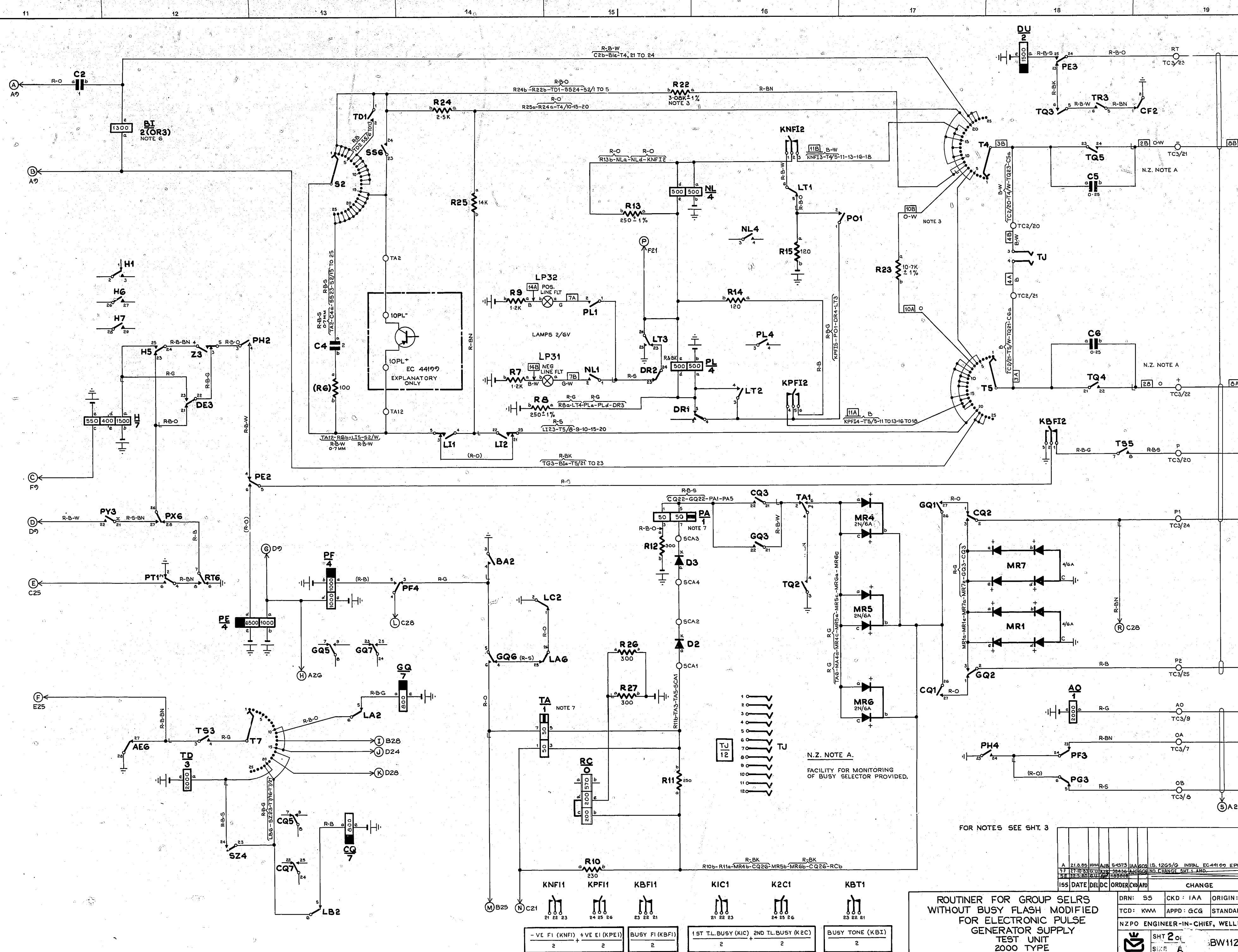
**FIG. 2**  
VALVE PANEL

FOR NOTES SEE SHT. 3  
N.Z. NOTES SEE SHT. 2

ROUTINER FOR GROUP SELRS  
WITHOUT BUSY FLASH MODIFIED  
FOR ELECTRONIC PULSE  
GENERATOR SUPPLY  
TEST UNIT  
2000 TYPE

|   |           |                    |  |
|---|-----------|--------------------|--|
| A 218.85 KMM JB 54573 JAA GCG 15.12.65/G EC 44109             |           |                    |  |
| 71 77PH-53 211 118 38436 AUC GCG REPLACEMENT OF R-3 & TU COIL |           |                    |  |
| FE 22 9-50 EUC 1183365 RELEASED FROM COY W/S 50 6-18-78       |           |                    |  |
| ISS DATE DEL DC ORDER CKD APPD CHANGE                         |           |                    |  |
| DRN: SS   | CKD: IAA  | ORIGIN: 95         |  |
| TCD: KWM  | APPD: GCG | STANDARD: ATW22001 |  |
| N.Z. PO. ENGINEER-IN-CHIEF, WELLINGTON                        |           |                    |  |
| SHT 1 of 3  |           | GBW 11221 MODA.    |  |
| SIZE A1   |           |                    |  |

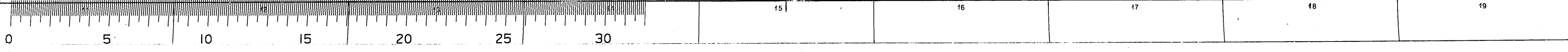
UD 237



ROUTINER FOR GROUP SELRS  
WITHOUT BUSY FLASH MODIFIED  
FOR ELECTRONIC PULSE  
GENERATOR SUPPLY  
TEST UNIT  
2000 TYPE

|  |                                    |           |                    |
|--|------------------------------------|-----------|--------------------|
| A 21.8.85 KWA/JB 54573 JAA/GG/IS.12G5/G INSTAL EC44199 EPB |                                    | CHANGE    |                    |
| 17 27.10.83 GJ/JB 38436 AGG/GG/ND CHANGE SHT 1 AMD         | DRN: SS                            | CKD: IAA  | ORIGIN: SS         |
| 18 18.5.80 GJ/JB 126566                                    | TCD: KWA                           | APPD: GCG | STANDARD: ATW22001 |
| 155 DATE DEL DC ORDER C/W/ARD                              | NZPO ENGINEER-IN-CHIEF, WELLINGTON |           |                    |
|  | SHT 2 of 2                         |           | BW11221 MODA       |
|  | SIZE A                             |           |                    |

UD 237



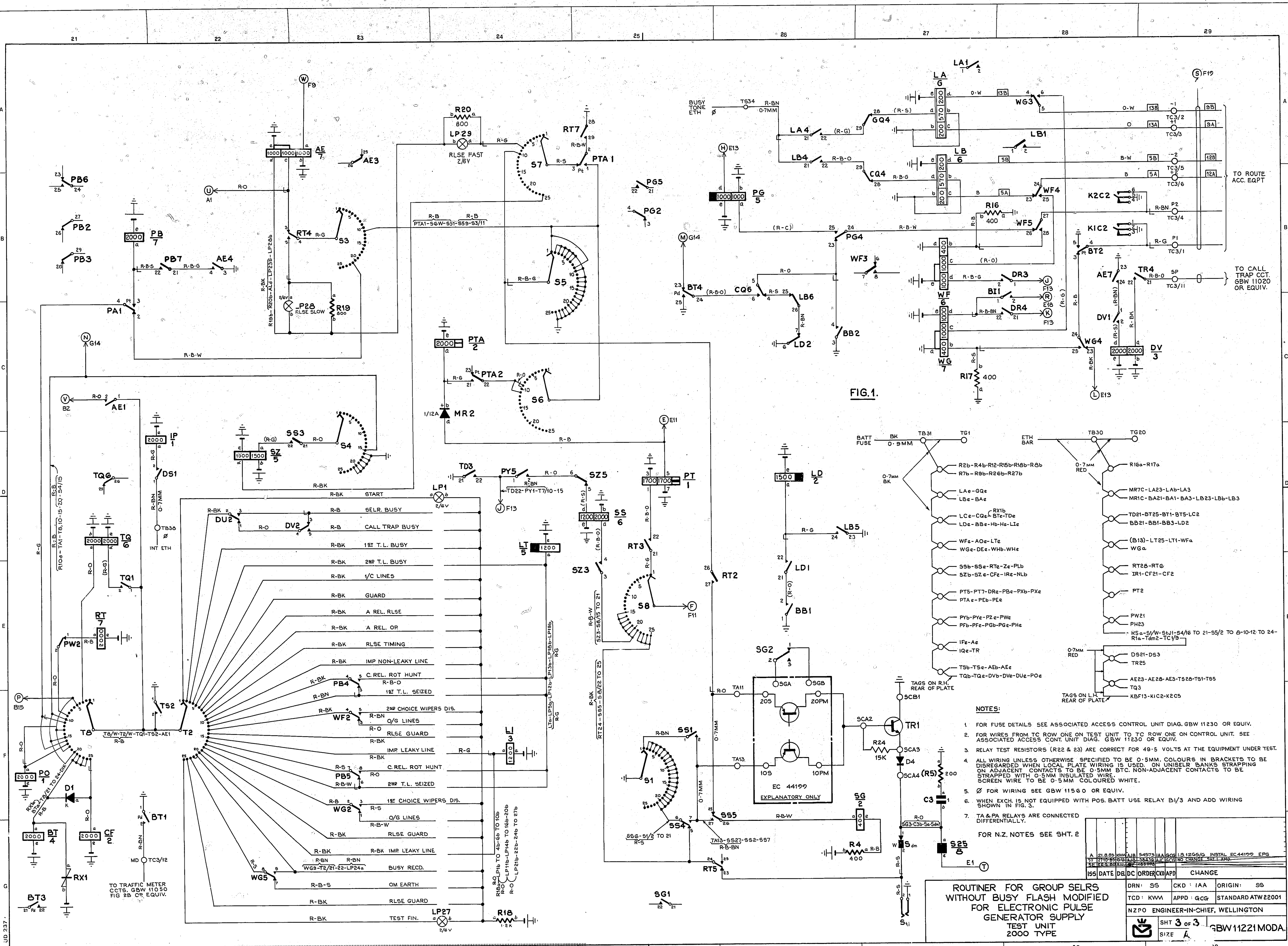


FIG.1.

- NOTES:**
- FOR FUSE DETAILS SEE ASSOCIATED ACCESS CONTROL UNIT DIAG. GBW 11230 OR EQUIV.
  - FOR WIRES FROM TC ROW ONE ON TEST UNIT TO TC ROW ONE ON CONTROL UNIT. SEE ASSOCIATED ACCESS CONT. UNIT DIAG. GBW 11230 OR EQUIV.
  - RELAY TEST RESISTORS (R22 & 23) ARE CORRECT FOR 49.5 VOLTS AT THE EQUIPMENT UNDER TEST.
  - ALL WIRING UNLESS OTHERWISE SPECIFIED TO BE 0.5MM. COLOURS IN BRACKETS TO BE DISREGARDED WHEN LOCAL PLATE WIRING IS USED. ON UNISLR BANKS STRAPPING ON ADJACENT CONTACTS TO BE 0.5MM B.T.C. NON-ADJACENT CONTACTS TO BE STRAPPED WITH 0.5MM INSULATED WIRE. SCREEN WIRE TO BE 0.5MM COLOURED WHITE.
  - Ø FOR WIRING SEE GBW 11560 OR EQUIV.
  - WHEN EXCH. IS NOT EQUIPPED WITH POS. BATT USE RELAY BI/3 AND ADD WIRING SHOWN IN FIG. 3.
  - TA & PA RELAYS ARE CONNECTED DIFFERENTIALLY.
- FOR N.Z. NOTES SEE SHT. 2

**ROUTINER FOR GROUP SELRS WITHOUT BUSY FLASH MODIFIED FOR ELECTRONIC PULSE GENERATOR SUPPLY TEST UNIT 2000 TYPE**

|  |           |                   |
|--|-----------|-------------------|
| DRN: S5                                | CKD: IAA  | ORIGIN: S5        |
| TC'D: KWM                              | APPD: GCG | STANDARD ATW22001 |
| N.Z.P.O. ENGINEER-IN-CHIEF, WELLINGTON |           |                   |
| SHT 3 of 3                             |           | GBW 11221 MODA.   |
| SIZE A                                 |           |                   |

UD. 237