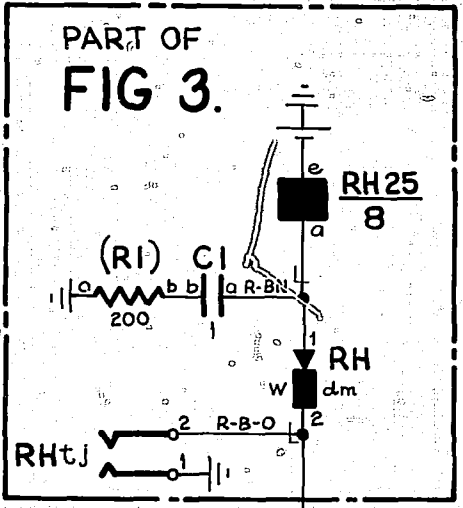
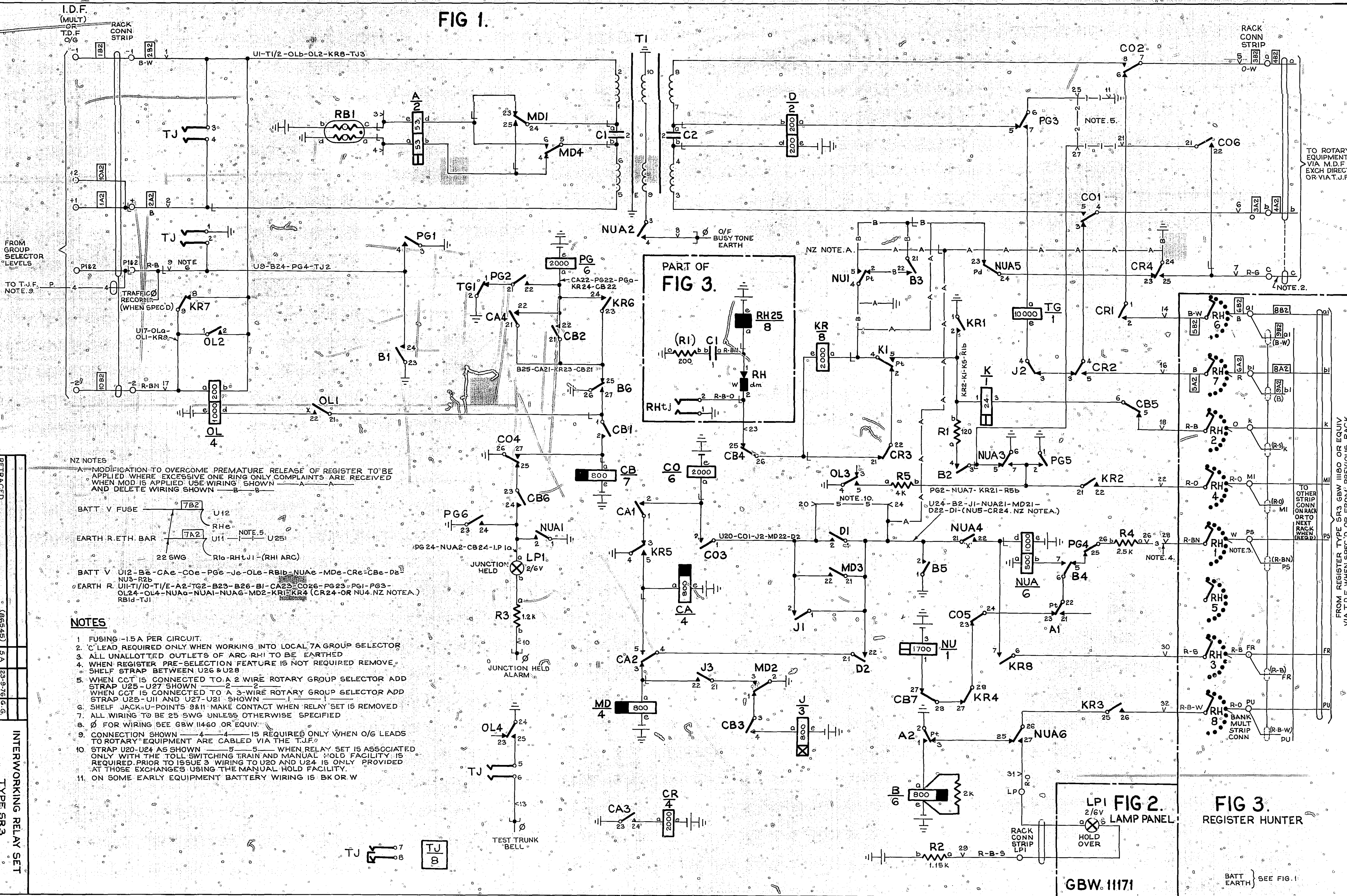


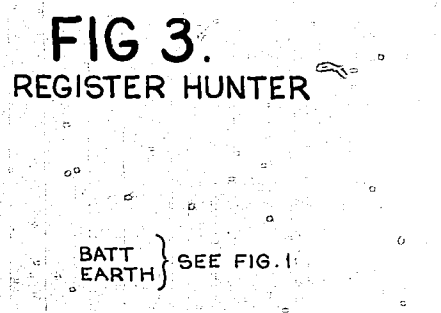
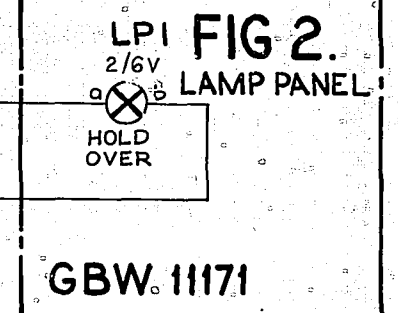
FIG 1.



- NZ NOTES**
- A - MODIFICATION TO OVERCOME PREMATURE RELEASE OF REGISTER TO BE APPLIED WHERE EXCESSIVE ONE RING ONLY COMPLAINTS ARE RECEIVED WHEN MOD IS APPLIED USE WIRING SHOWN AND DELETE WIRING SHOWN
- BATT V FUSE 7B2
- EARTH R. ETH. BAR 7A2
- BATT V U12 - B_e - C_{Ae} - C_{Oe} - P_{Ge} - J_e - O_{Le} - R_{Bib} - NUA_e - MDe - CR_e - C_{Be} - D_e
- EARTH R. U11-TI/10-TI/E-A2-TG2-B23-B26-BI-CA23-CO26-PG23-PG1-PG3-OL24-OL4-NUA_g-NUA₁-NUA₆-MD2-KR1-KR4 (CR24-OR NU4-NZ NOTEA.) RBId-TJ1

- NOTES**
- FUSING - 15 A PER CIRCUIT.
 - C LEAD REQUIRED ONLY WHEN WORKING INTO LOCAL 7A GROUP SELECTOR
 - ALL UNALLOTTED OUTLETS OF ARC RH1 TO BE EARTHED
 - WHEN REGISTER PRE-SELECTION FEATURE IS NOT REQUIRED REMOVE SHELF STRAP BETWEEN U26 & U28
 - WHEN CCT IS CONNECTED TO A 2 WIRE ROTARY GROUP SELECTOR ADD STRAP U25-U27 SHOWN
 - WHEN CCT IS CONNECTED TO A 3-WIRE ROTARY GROUP SELECTOR ADD STRAP U25-U11 AND U27-U21 SHOWN
 - SHELF JACK-U-POINTS 9&11 MAKE CONTACT WHEN RELAY SET IS REMOVED
 - ALL WIRING TO BE 25 SWG UNLESS OTHERWISE SPECIFIED
 - Ø FOR WIRING SEE GBW 11460 OR EQUIV.
 - CONNECTION SHOWN - 4 - 4 - 4 IS REQUIRED ONLY WHEN O/G LEADS TO ROTARY EQUIPMENT ARE CABLED VIA THE T.J.F.
 - STRAP U20-U24 AS SHOWN 5 - 5 - 5 - WHEN RELAY SET IS ASSOCIATED ONLY WITH THE TOLL SWITCHING TRAIN AND MANUAL HOLD FACILITY IS REQUIRED. PRIOR TO ISSUE 3 WIRING TO U20 AND U24 IS ONLY PROVIDED AT THOSE EXCHANGES USING THE MANUAL HOLD FACILITY.
 - ON SOME EARLY EQUIPMENT BATTERY WIRING IS BK OR W

NZPO			
DRAWN	CHECKED	WIRING	ENGINEERS
GBW 11171			
INTERWORKING RELAY SET	TYPE SR3		
STEP BY STEP TO ROTARY	3 SELECTION		
ISSUE DATE	APR 1961	REF. NZPO DPG 18171	SIZE M 50V E
AMENDMENT PARTICULARS	1 (6949)	DATE	18.8.69
RETRACTED	5A (86545)	5A (86545)	5A (86545)
NZ NOTE A & ALT WIRING SHOWN (93506)	5A (86545)	5A (86545)	5A (86545)
O/F BUSY TONE WAS N.U. TONE SPRINGS BK 2 INTERCHANGED WITH BK2 & 4 (NOTE 1A-D) (86285)	5A (86545)	5A (86545)	5A (86545)



FROM REGISTER TYPE SR3 GBW 11180 OR EQUIV VIA T.D.F. WHEN SPEC'D OR FROM PREVIOUS RACK.

TO ROTARY EQUIPMENT VIA M.D.F EXCH DIRECT OR VIA T.J.F

BATT EARTH SEE FIG. 1