

FIG. 1

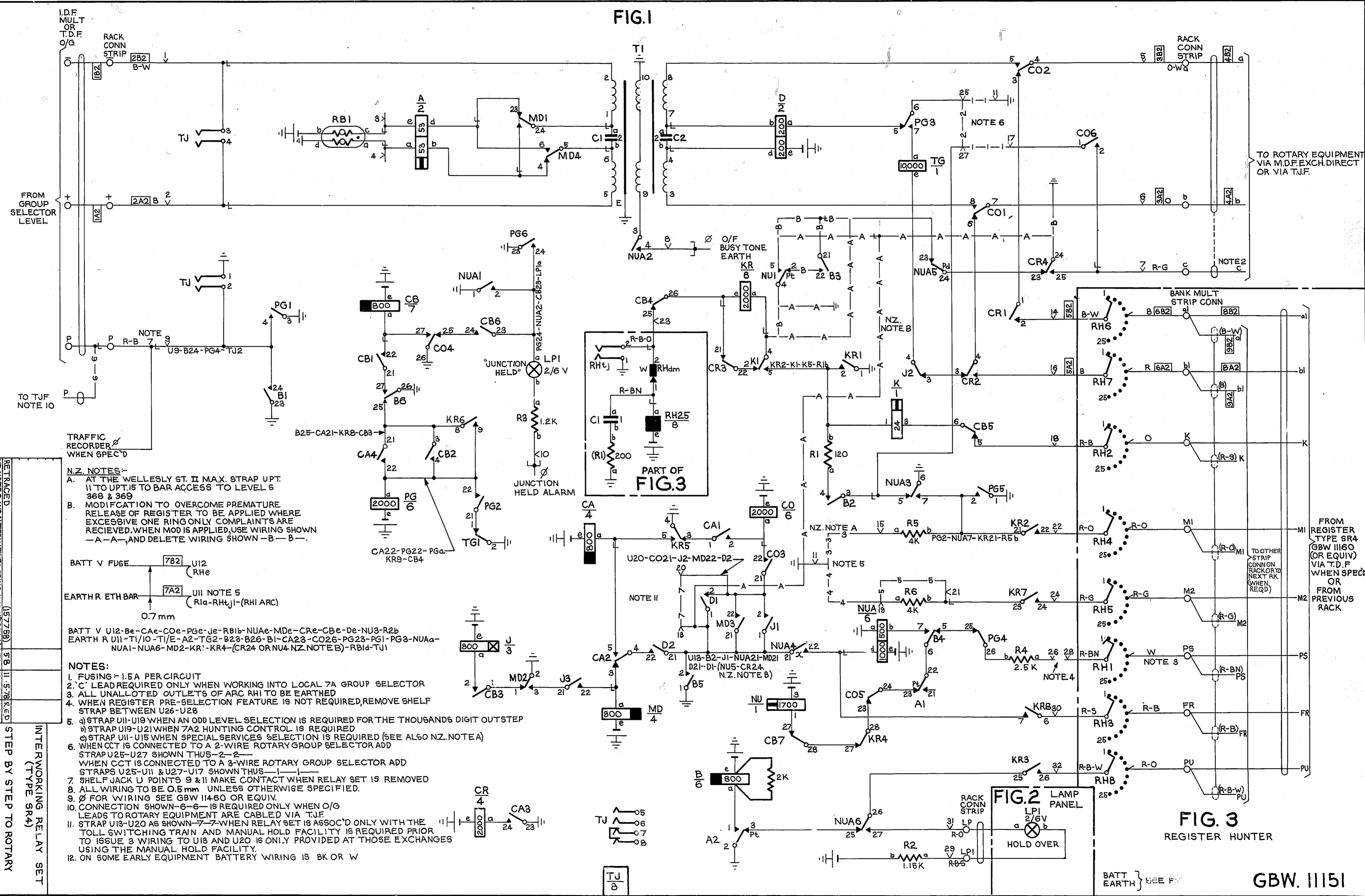


FIG. 3

FIG. 3 REGISTER HUNTER

- N.Z. NOTES:-**
- A. AT THE WELLESLEY ST. II MAX. STRAP UPT. 11 TO UPT.15 TO BAR ACCESS TO LEVEL 6 369 & 369
 - B. MODIFICATION TO OVERCOME PREMATURE RELEASE OF REGISTER TO BE APPLIED WHERE EXCESSIVE ONE RING ONLY COMPLAINTS ARE RECEIVED WHEN MOD IS APPLIED, USE WIRING SHOWN -A-A- AND DELETE WIRING SHOWN -B-B-.

NOTES:

1. FUSING - 1.5A PER CIRCUIT
2. 'C' LEAD REQUIRED ONLY WHEN WORKING INTO LOCAL 7A GROUP SELECTOR
3. ALL UNALLOTTED OUTLETS OF ARC RH1 TO BE EARTHED
4. WHEN REGISTER PRE-SELECTION FEATURE IS NOT REQUIRED, REMOVE SHELF STRAP BETWEEN U26-U28
5. a) STRAP U11-U19 WHEN AN ODD LEVEL SELECTION IS REQUIRED FOR THE THOUSANDS DIGIT OUTSTEP
b) STRAP U19-U21 WHEN 7A2 HUNTING CONTROL IS REQUIRED
c) STRAP U11-U15 WHEN SPECIAL SERVICES SELECTION IS REQUIRED (SEE ALSO N.Z. NOTE A)
6. WHEN CCT IS CONNECTED TO A 2-WIRE ROTARY GROUP SELECTOR ADD STRAP U25-U27 SHOWN THUS -2-2-
WHEN CCT IS CONNECTED TO A 3-WIRE ROTARY GROUP SELECTOR ADD STRAPS U25-U11 & U27-U17 SHOWN THUS -1-1-1-
7. SHELF JACK U POINTS 9 & 11 MAKE CONTACT WHEN RELAY SET IS REMOVED
8. ALL WIRING TO BE 0.5 mm UNLESS OTHERWISE SPECIFIED.
9. Ø FOR WIRING SEE GBW 114-60 OR EQUIV.
10. CONNECTION SHOWN -6-6- IS REQUIRED ONLY WHEN O/G LEADS TO ROTARY EQUIPMENT ARE CABLED VIA T.J.F.
11. STRAP U13-U20 AS SHOWN -7-7- WHEN RELAY SET IS ASSOC'D ONLY WITH THE TOLL SWITCHING TRAIN AND MANUAL HOLD FACILITY IS REQUIRED PRIOR TO ISSUE 3 WIRING TO U13 AND U20 IS ONLY PROVIDED AT THOSE EXCHANGES USING THE MANUAL HOLD FACILITY.
12. ON SOME EARLY EQUIPMENT BATTERY WIRING IS BK OR W

BATT V FUSE 7B2 U12 RHe

EARTH ETH BAR 7A2 U11 NOTE 5 (R1a-RHtj1-(RHI ARC))

BATT V U12-BE-CAE-COE-PG6-JE-RB1b-NUAe-MDe-CRe-CBe-De-NU3-R2b

EARTH R U11-TI/IO-TI/E-A2-TG2-B23-B26-BI-CA23-CO26-PG23-PG1-PG3-NUAa-NUA1-NUA6-MD2-KR1-KR4-(CR24 OR NU4-NZ.NOTE B)-RB1d-TJ1

NZ.P.O.	RETRACED	(157758)	FG 11-578 RED
	NZ NOTE BAND ALTERNATIVE WIRING SHOWN (69350)	5A	16.573 BSH
DRAWN	CHECKED	155	DATE 6.2.64 D.B.H.
	WIRING	AP'D	
CIRCUIT	GBW 11151	REF NZ.P.O. DRG 1879 SIZE M	SOV E
	INTERWORKING RELAY SET (TYPE SR4)	STEP BY STEP TO ROTARY 4 SELECTION	