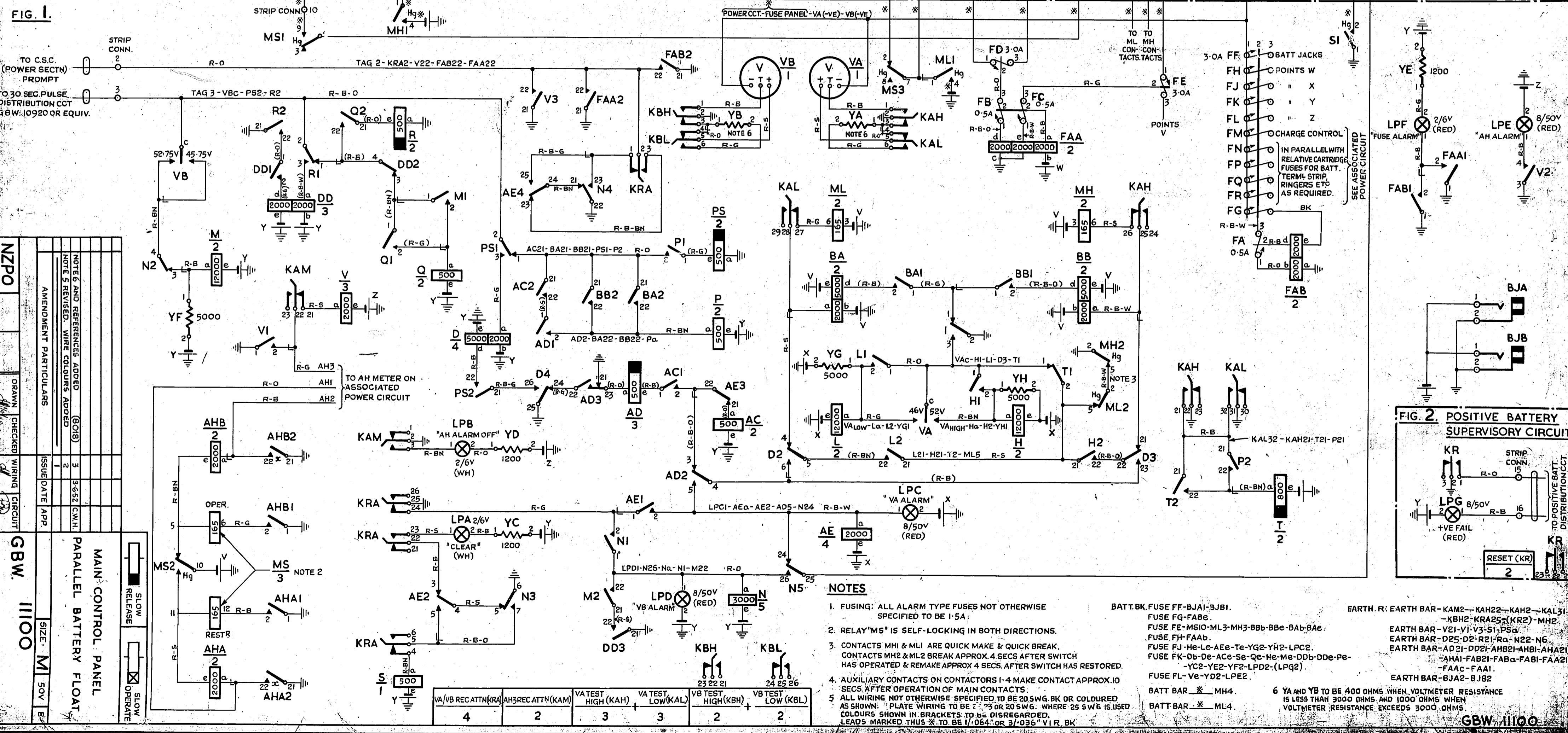
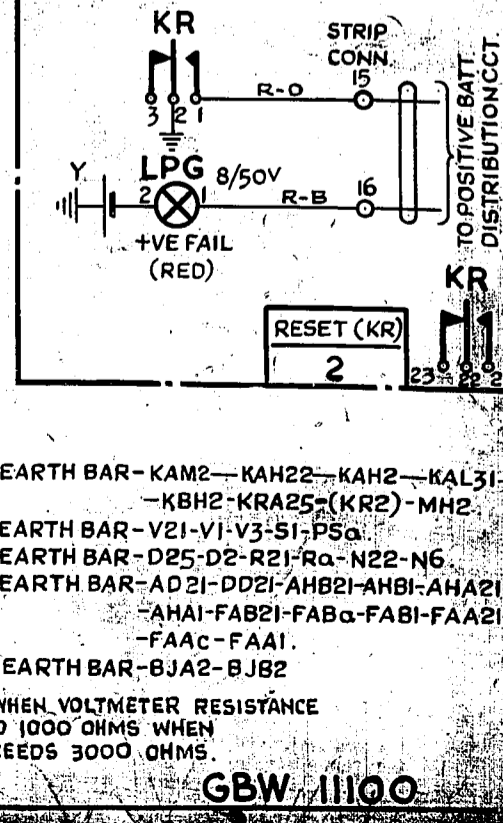


FIG. 1.



| | | | | |
|------------|------------------------------------|------------------------|--------|---------|
| NZZPO | DRAWN | CHECKED | WIRING | CIRCUIT |
| | AMENDMENT | PARTICULARS | ISSUE | DATE |
| | NOTE 6 AND REFERENCES ADDED (GBW) | 3 | 3657 | C.W.H. |
| | NOTE 5 REVISED. WIRE COLOURS ADDED | 2 | | |
| | AMENDMENT | | | |
| GBW. 11100 | SIZE | M | 50V | B |
| | MAIN CONTROL PANEL | PARALLEL BATTERY FLOAT | | |

FIG. 2. POSITIVE BATTERY SUPERVISORY CIRCUIT.



- NOTES**
- FUSING: ALL ALARM TYPE FUSES NOT OTHERWISE SPECIFIED TO BE 1-5A.
 - RELAY "MS" IS SELF-LOCKING IN BOTH DIRECTIONS.
 - CONTACTS MHI & MLI ARE QUICK MAKE & QUICK BREAK. CONTACTS MH2 & ML2 BREAK APPROX. 4 SECS AFTER SWITCH HAS OPERATED & REMAKE APPROX. 4 SECS. AFTER SWITCH HAS RESTORED.
 - AUXILIARY CONTACTS ON CONTACTORS 1-4 MAKE CONTACT APPROX. 10 SECS. AFTER OPERATION OF MAIN CONTACTS.
 - ALL WIRING NOT OTHERWISE SPECIFIED TO BE 20 SWG. BK OR COLOURED AS SHOWN. PLATE WIRING TO BE 23 OR 20 SWG. WHERE 25 SWG IS USED COLOURS SHOWN IN BRACKETS TO BE DISREGARDED. LEADS MARKED THUS * TO BE 1/064" OR 3/036" V.I.R. BK.
- BATT. BK. FUSE FF-BJA1-BJB1.
FUSE FG-FABe.
FUSE FE-MS10-ML3-MH3-BBb-BBc-BAb-BAc.
FUSE FJ-FAAb.
FUSE FJ-He-Le-AEe-Te-YG2-YH2-LPC2.
FUSE FK-Db-De-ACe-Se-Qe-Ne-Me-DDb-DDe-De-
-YC2-YE2-YF2-LPD2-(LPQ2).
FUSE FL-Ve-YD2-LPE2.
- BATT. BAR * MH4.
BATT. BAR * ML4.
- EARTH. R: EARTH BAR-KAM2-KAH2-KAL31-KBH2-KRA25-(KR2)-MH2.
EARTH BAR-V21-V1-V3-51-PSa.
EARTH BAR-D25-D2-R21-Ra-N22-N6.
EARTH BAR-AD2-DD2-AHB2-AHB1-AHA21-AHA1-FAB21-FABa-FAB1-FAA21-FAAc-FAA1.
EARTH BAR-BJA2-BJB2.
- 6 YA AND YB TO BE 400 OHMS WHEN VOLTMETER RESISTANCE IS LESS THAN 3000 OHMS AND 1000 OHMS WHEN VOLTMETER RESISTANCE EXCEEDS 3000 OHMS.