

FIG. 1. CLOCK B.P.O. No 36. (MARK IV - MODIFIED) WITH TIME DIAL.

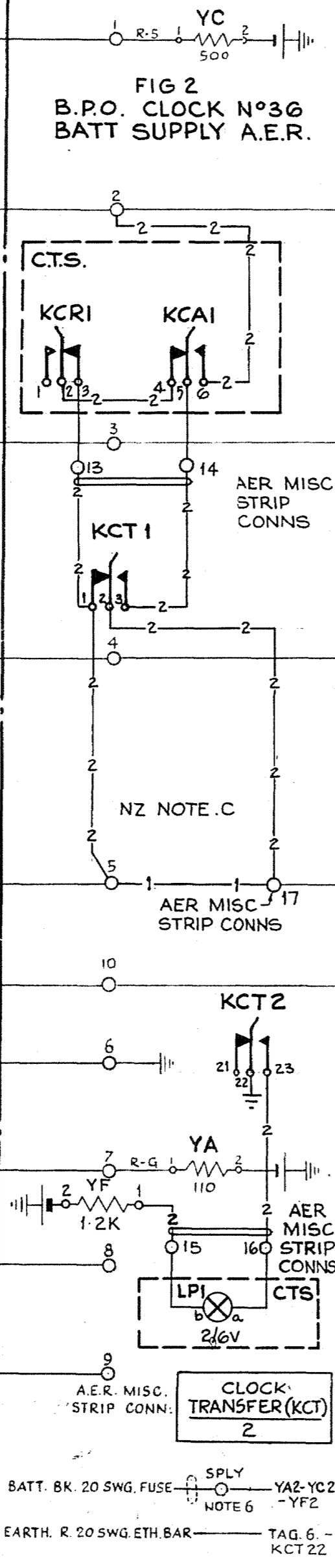


FIG. 2. B.P.O. CLOCK No 36 BATT SUPPLY A.E.R.

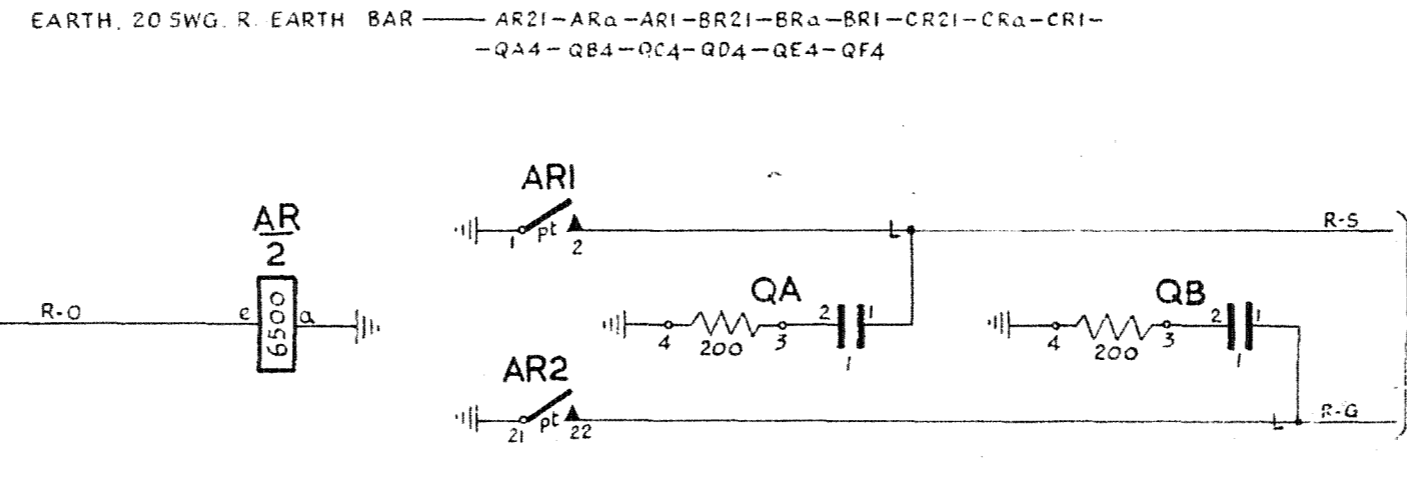


FIG. 3. 1 SECOND CLOCK RELAY A.E.R.

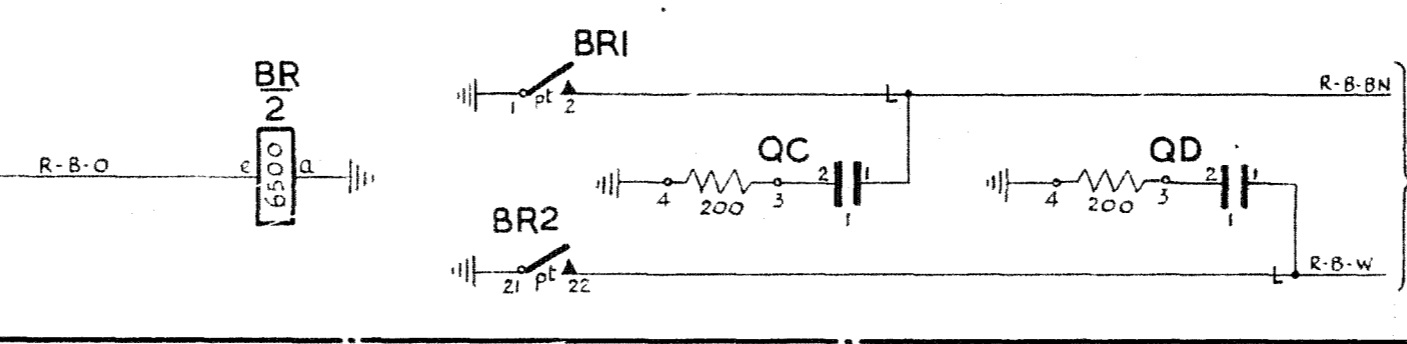


FIG. 4. 6 SECOND CLOCK RELAY A.E.R.

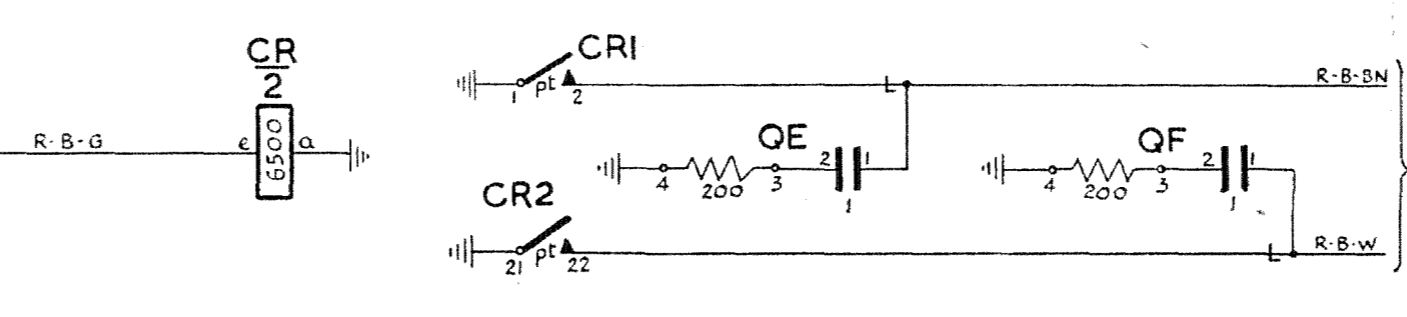


FIG. 5. 30 SECOND CLOCK RELAY A.E.R.

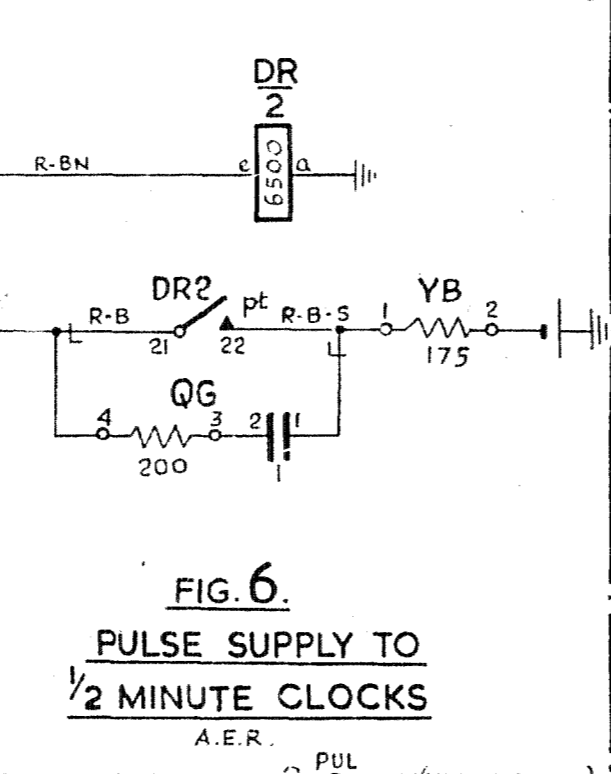


FIG. 6B

FIG. 6A NOTE 5.

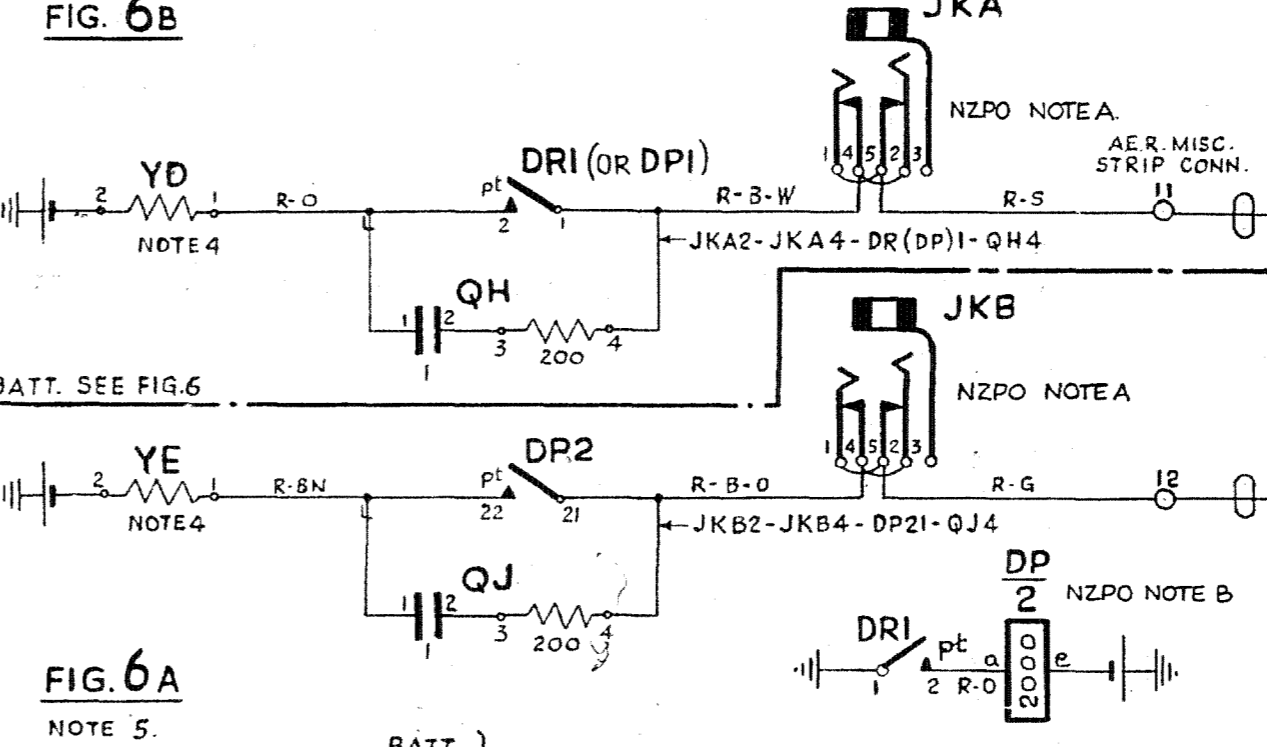
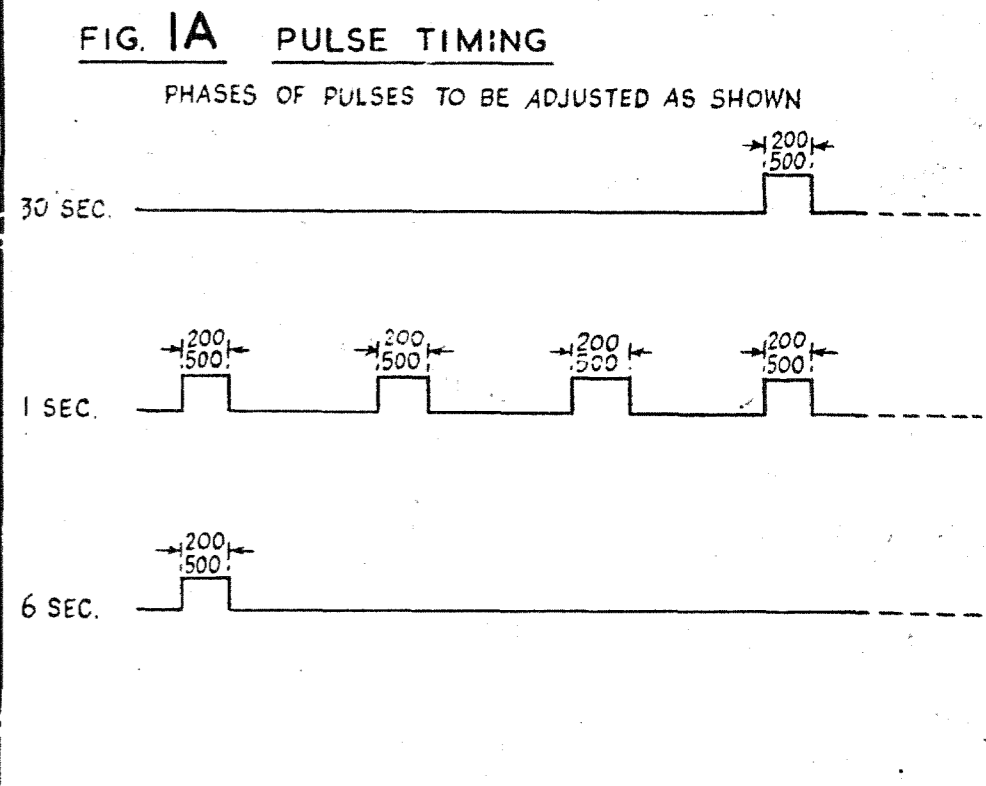


FIG. 6A NOTE 5. BATT. SEE FIG. 6. EARTH SEE FIG. 6.



FIGS. 1A PULSE TIMING PHASES OF PULSES TO BE ADJUSTED AS SHOWN. FIGS. 1A, 200 INDICATE MIN. PULSE DURATION IN MILLISECONDS FROM MASTER CLOCK. 500 INDICATE MAX. PULSE DURATION IN MILLISECONDS FROM MASTER CLOCK.

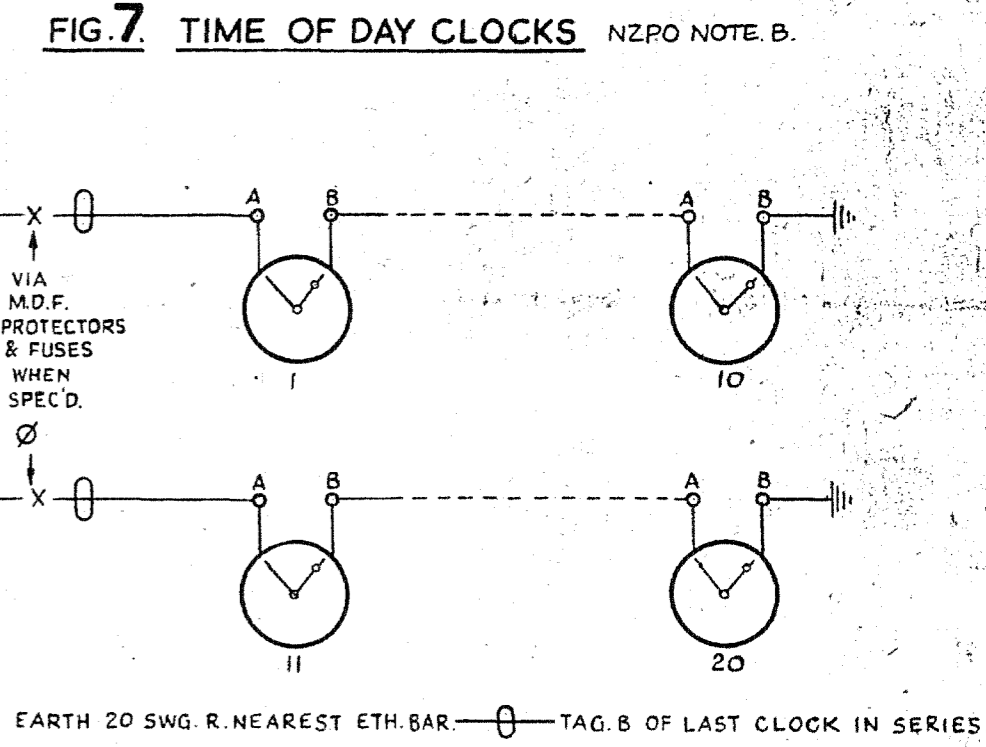


FIG. 7. TIME OF DAY CLOCKS NZPO NOTE B. EARTH 20 SWG. R. NEAREST ETH. BAR. TAG. B OF LAST CLOCK IN SERIES.

NOTES:  
 1. FUSING - FIG 2. 0.5A FUSED ON AUX. GROUP FUSE PANEL WHEN FITTED. FIGS. 6. 6A & B 3-0A OTHERWISE ON A.E.R.  
 2. UNLESS OTHERWISE SPECIFIED ALL WIRING TO BE 20 SWG.  
 3. RESISTORS YFA & YFB TO BE MOUNTED INSIDE CLOCK CASE.  
 4. THE VALUE OF RESISTORS YD & YE TO BE SUCH AS TO ENSURE THE CORRECT OPERATING CURRENT THROUGH THE 1/2 MINUTE CLOCKS.

5. FIG. 6A IS REQUIRED ONLY WHEN NUMBER OF CLOCKS TO FIG. 7 EXCEEDS 10.  
 6. THESE TERMINALS ARE ONLY REQUIRED WHEN FUSES ARE ON AUX GROUP FUSE PANEL.  
 NZPO NOTES:  
 A. USE AVOMETER AT TEST JACK JKA & JKB TO MEASURE LINE CURRENTS TO T.O.D. CLOCKS TO FIG. 7  
 B. WHEN USED IN CONJUNCTION WITH NZPO. DRG. 29G12 NOTE 3. USE DP B6474P WITH 3 CONTACTS & USE CONTACT DP3 TO OPERATE AP IN 29G12 FIG. 1 AT GCX'S AND ZCX'S OMIT WIRING SHOWN -1-1- AND PROVIDE WIRING SHOWN -2-2-.

CLOCK	ADVANCE-RETARD KEYS ADDED	NZMUH(70530)	BB	16-12-80	JR
FIG 8 DELETED PULSE INFORMATION FIG 1A ADDED (64904)	8A	15-11-62	D.B.H.		
NZPO NOTE B CHANGED	(48785)	7A	26-1-62		
ADVANCE KEY WAS CONNECTED TO 6 SEC. PULSE (28449)	7	15-12-59			
CLOCK 46 INTERNAL CONNS. AMENDED	6				
REF. TO M.D.F. PROTECTORS & FUSES ADDED	5				
JACKS ADDED FIGS. 6A & 6B	4				
NOTES 1 & 4 AMENDED. NOTE 6 ADDED	3				
FIG 6 SUBDIVIDED INTO FIGS. 6 & 6B	2				
	1				

AMENDMENT PARTICULARS.	ISSUE	DATE	APP'D	SIZE	VOLTS	OTHER
				M	50V	E

EXCHANGE CLOCKS.  
 GBW. 11080

NZPO DRAWN CHECKED WIRING CIRCUIT