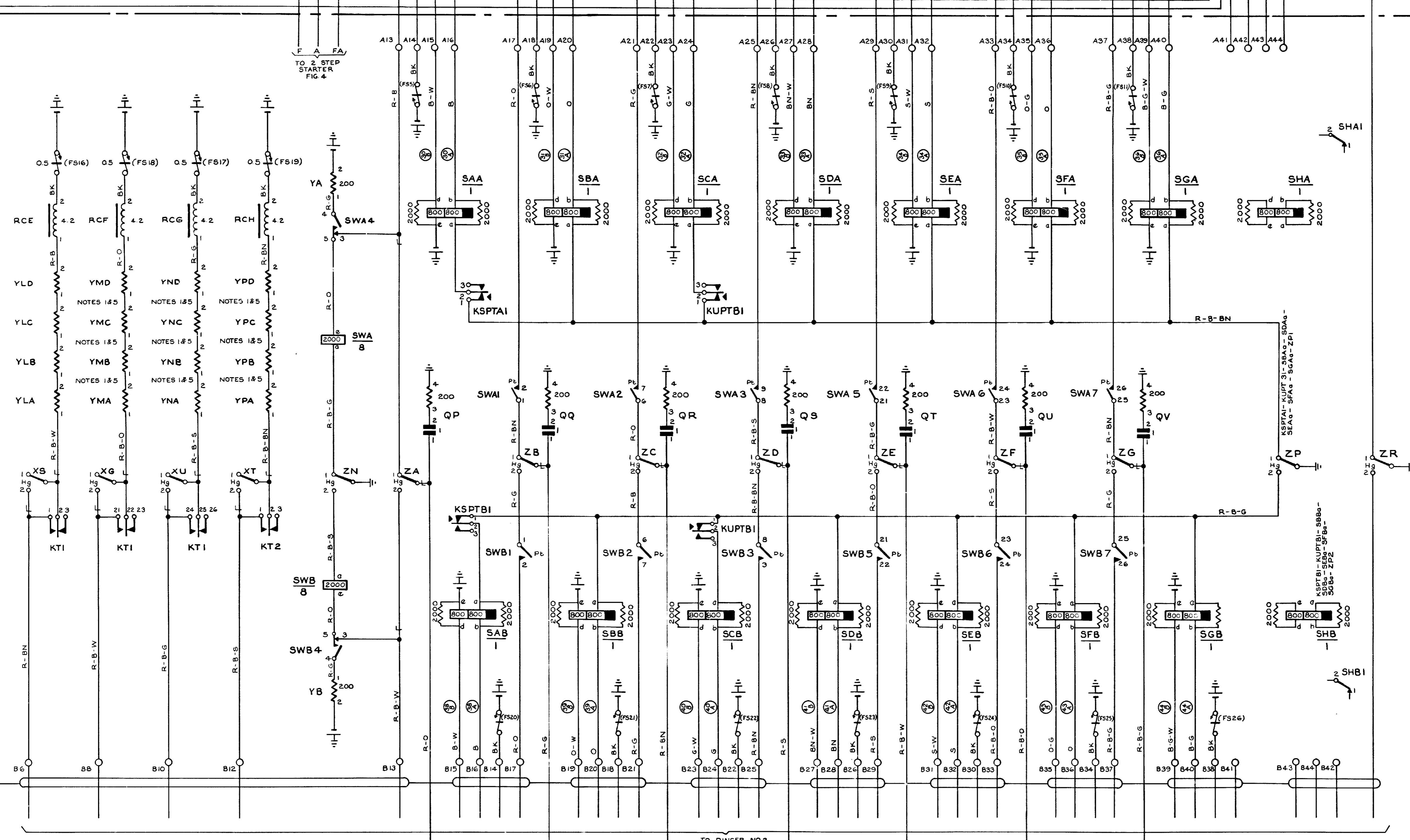


FIG. 5
RINGING MACHINE
CONTACT MATERIAL OF SPRINGSETS
TO BE SILVER.



- NOTES:
- VOLUME CONTROL RESISTANCES & CONDENSERS TO BE ADJUSTED ON SITE. (SERIES OR PARALLEL AS REQUIRED)
 - SWITCH TO ENABLE MACHINE NO. 2 TO BE RUN FOR MAINTENANCE PURPOSES
 - SHIELD EARTHS TO BE EARTHED AT AER
 - ALL WIRING NOT OTHERWISE SPECIFIED TO BE 0.8mm INTER-APPARATUS WIRING ON RELAY PLATES TO BE IN 0.6mm.
 -

RESISTOR	FIG. 1A VALUE FOR USE WITH 37.5 WATT M/C	FIG. 1A VALUE FOR USE WITH 75 WATT M/C
YGA, YGB YHA, YHB YJA, YJB YKA, YKB YLA, YLB YMA, YMB YNA, YNB YPA, YPB	300	200
YGC, YHC YIC, YIC YNC, YNC YPC, YPC	400	1000
YGD, YHD YID, YID YLD, YLD YND, YND	1000	2000

- TERMS 28-30 & LEADS SHOWN THUS --- ONLY REQUIRED ON BATTERY DRIVEN SETS. FOR MAINS DRIVEN MACHINES STRAP IS ADDED.
- AT SOME EXCHANGES SWITCHES X & Z ARE MECHANICALLY COUPLED, IN WHICH CASES TRIP COIL X AND CONNECTIONS TO CONTACTS ZY & ZZ ARE OMITTED.
- AT SOME EARLY EXCHANGES CHANGEOVER SWITCH POLE X3 WAS SPARE, AND CONTINUOUS 900V SUPPLY LEAD WAS NOT PROVIDED.
- WHEN ALARM SCHEME IS TO GBW 10980 OR GBW 12300 OR EQUIV. PROVIDE CONNECTION SHOWN -1-1- AND OMIT THOSE SHOWN -2-2- & -3-3-.
- WHEN ALARM SCHEME IS TO GBW 15790 OR EQUIV. PROVIDE CONNECTIONS SHOWN -2-2- AND OMIT THOSE SHOWN -1-1- & -3-3-.
- WHEN ALERT ALARM NO. 2 TO GBW 15810 OR EQUIV. IS REQUIRED ADD CONNECTION SHOWN -3-3- AND OMIT THOSE SHOWN -1-1- & -2-2-.

SUPERSEDED BY GBW 10241

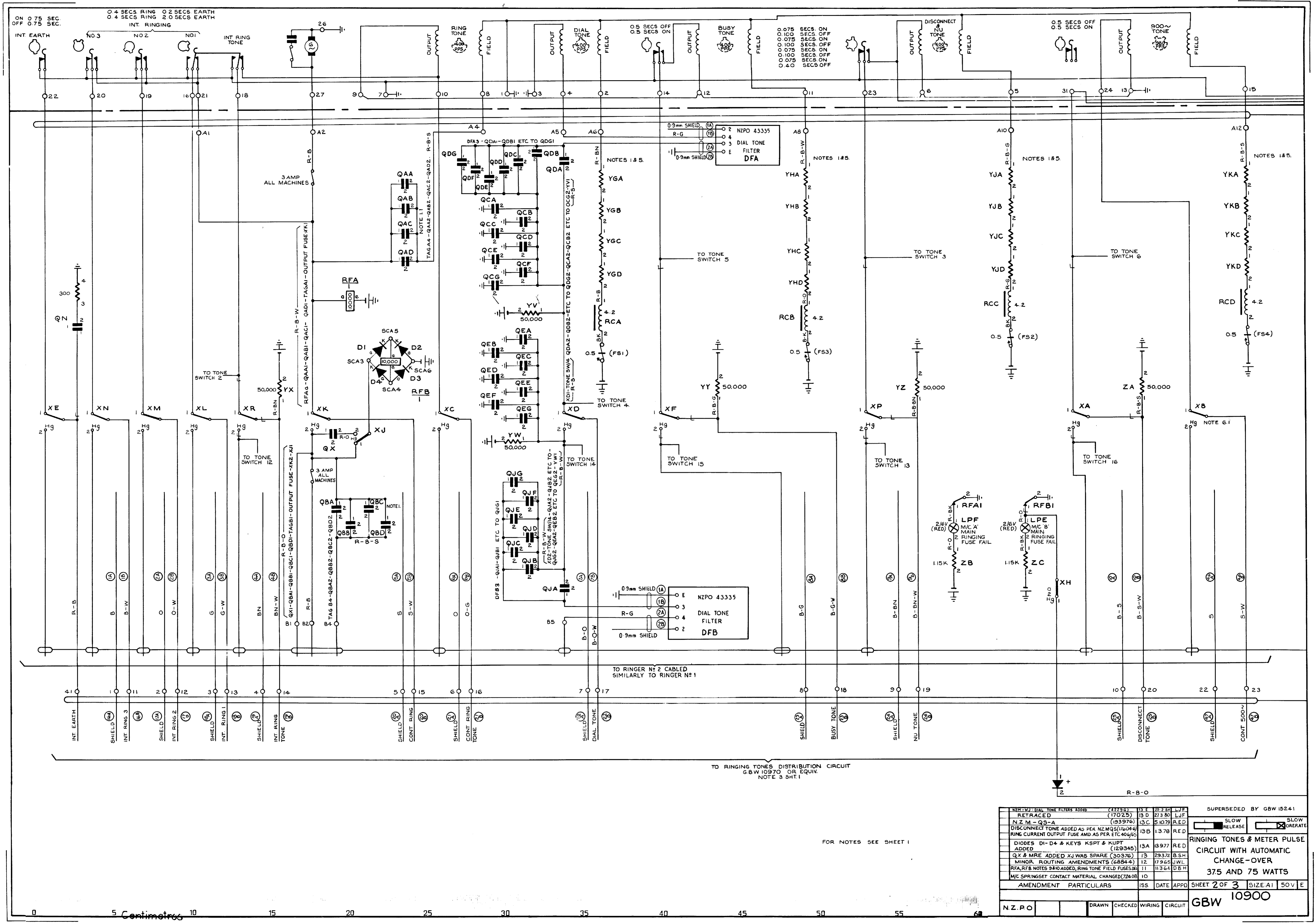
NO CHANGE SHTS 2 & 3 AMD (42296) 13 E 20-284 L/JF
RETRACED (17025) 130 2380 L/JF

AMENDMENT PARTICULARS ISS. DATE APPD SHEET 1 OF 3 SIZE A1 50 V E

NZ.PO. DRAWN CHECKED WIRING CIRCUIT

RINGING TONES & METER PULSE
CIRCUIT WITH AUTOMATIC
CHANGE-OVER
375 AND 75 WATTS

GBW 10900



ON 0.75 SEC OFF 0.75 SEC.
 0.4 SECS RING 0.2 SECS EARTH
 0.4 SECS RING 2.0 SECS EARTH

0.075 SECS ON
 0.075 SECS OFF
 0.075 SECS ON
 0.075 SECS OFF
 0.075 SECS ON
 0.075 SECS OFF
 0.075 SECS ON
 0.075 SECS OFF
 0.075 SECS ON
 0.075 SECS OFF

0.0 SECS OFF
 0.0 SECS ON

900 TONE

0.9mm SHIELD (1A)
 R-G (1B)
 NZPO 43335
 DIAL TONE FILTER
 DFA

0.9mm SHIELD (1A)
 R-G (1B)
 NZPO 43335
 DIAL TONE FILTER
 DFB

TO RINGER No 2 CABLED SIMILARLY TO RINGER No 1

TO RINGING TONES DISTRIBUTION CIRCUIT G.B.W 10970 OR EQUIV. NOTE 3 SH.1

FOR NOTES SEE SHEET 1

NZM-WJ DIAL TONE FILTERS ADDED (42252)	13 E	18.2.64	LJF
RETRACED (17025)	13 D	27.3.60	LJF
N.Z.M - Q.S - A (193976)	13 C	5.10.79	RED
DISCONNECT TONE ADDED AS PER NZMQS (1/60/46)	13 B	1.3.78	RED
RING CURRENT OUTPUT FUSE AMD AS PER ETC 406/65			
DIODES DI-D+ & KEYS KSPT & KUPT ADDED (129345)	13 A	13.9.77	RED
QX & MRE ADDED XJ WAS SPARE (30376)	13	29.3.72	B.S.H
MINOR ROUTING AMENDMENTS (68844)	12	17.9.65	J.W.L
RFA, RFB NOTES 9#10 ADDED, RING TONE FIELD FUSES 10#11	11	11.3.64	D.B.H
M/C SPRINGSET CONTACT MATERIAL CHANGED (72408)	10		

SUPERSEDED BY GBW 15241

SLOW RELEASE
 SLOW OPERATE

RINGING TONES & METER PULSE CIRCUIT WITH AUTOMATIC CHANGE-OVER 375 AND 75 WATTS

AMENDMENT PARTICULARS		ISS	DATE	APPD	SHEET 2 OF 3	SIZE: A1	50V E
N.Z.P.O	DRAWN	CHECKED	WIRING	CIRCUIT	GBW 10900		

5 Centimetres

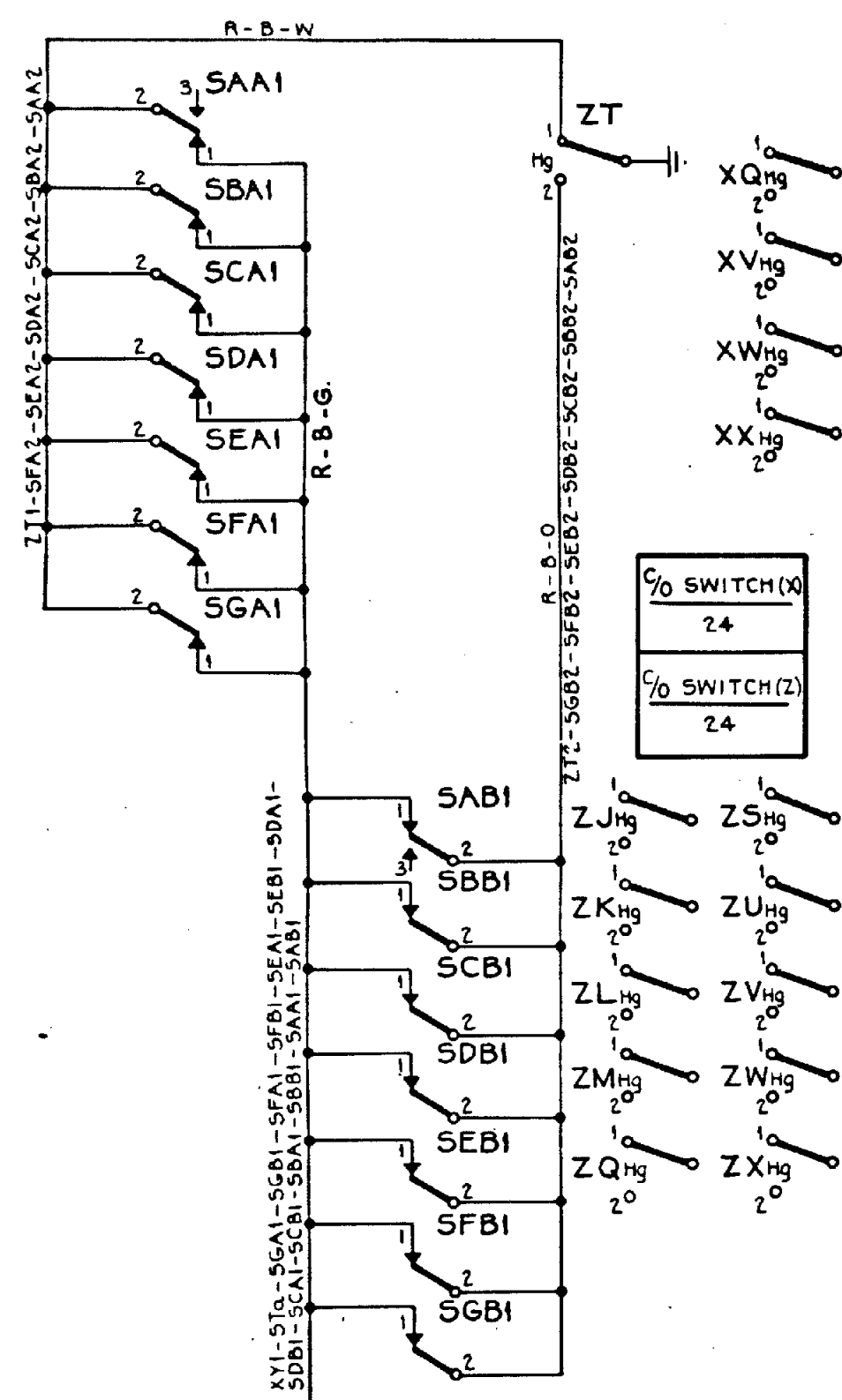


FIG. 2 RINGER FAILURE ALARM AND CHANGE OVER CONTROL CIRCUIT

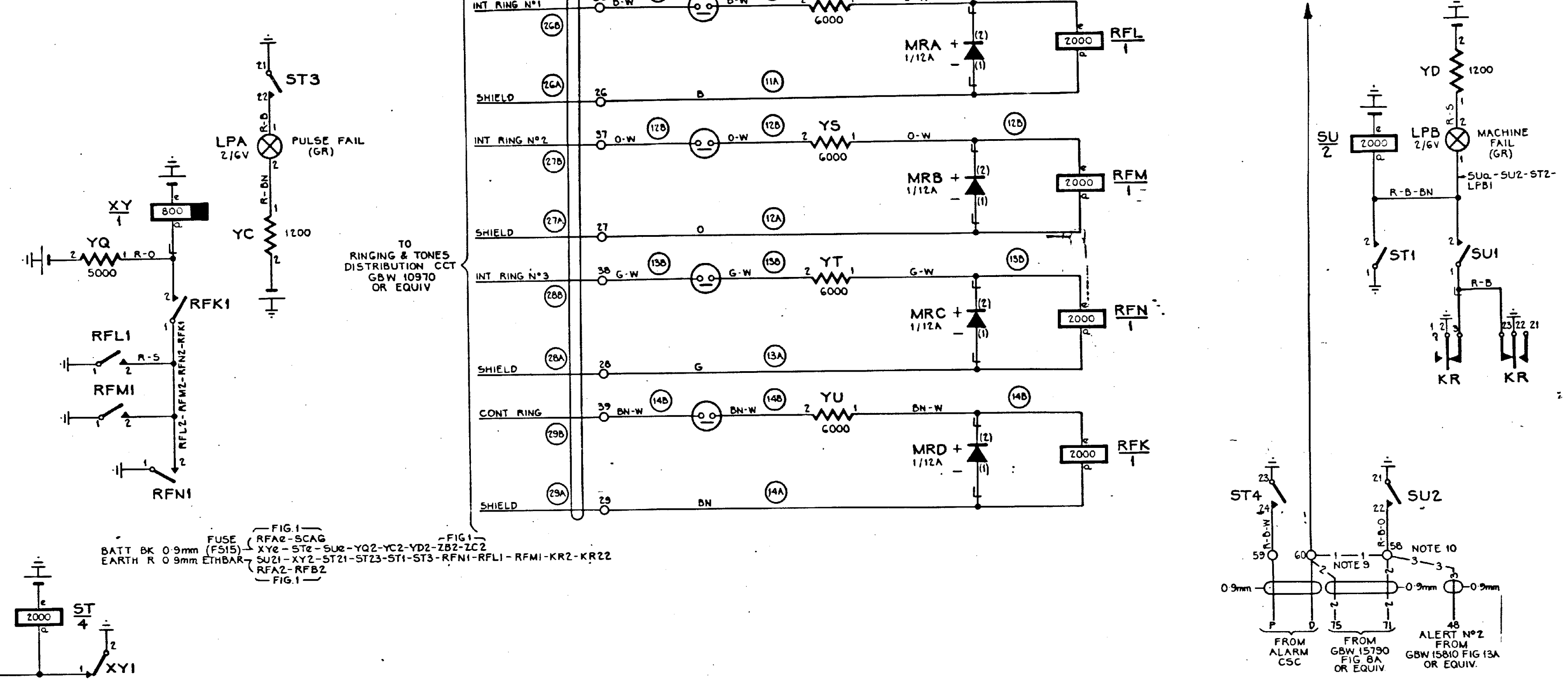


FIG. 1 FUSE (RFA2-SCAG) XY2-ST2-SU2-YQ2-YC2-YD2-ZB2-ZC2
 BATT BK 0.9mm (FS15) SU21-XY2-ST21-ST23-ST1-ST3-RFN1-RFL1-RFM1-KR2-KR22
 EARTH R 0.9mm ETHBAR SU21-XY2-ST21-ST23-ST1-ST3-RFN1-RFL1-RFM1-KR2-KR22
 FIG. 1 FUSE (RFA2-RFB2)

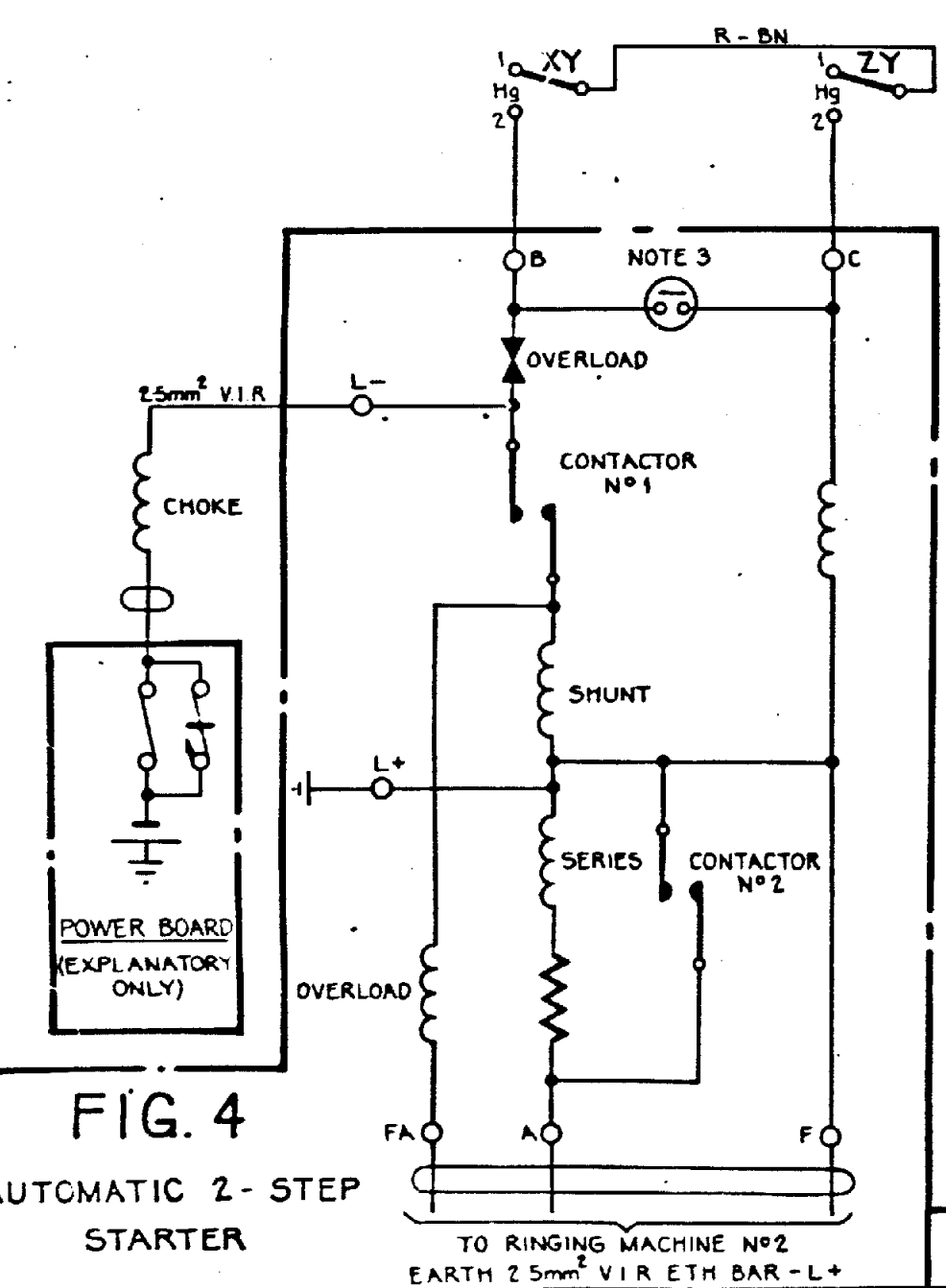
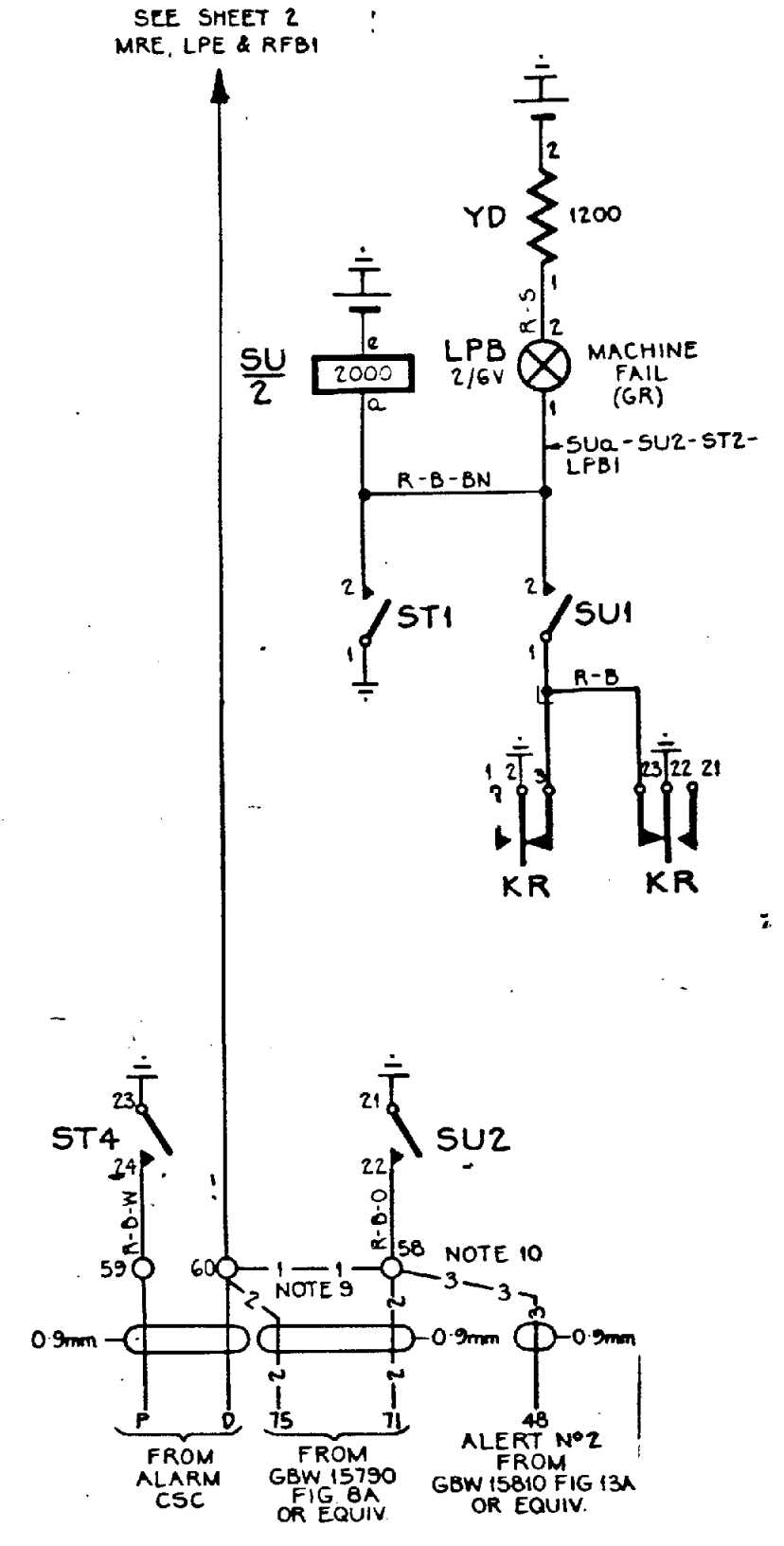


FIG. 4 AUTOMATIC 2-STEP STARTER

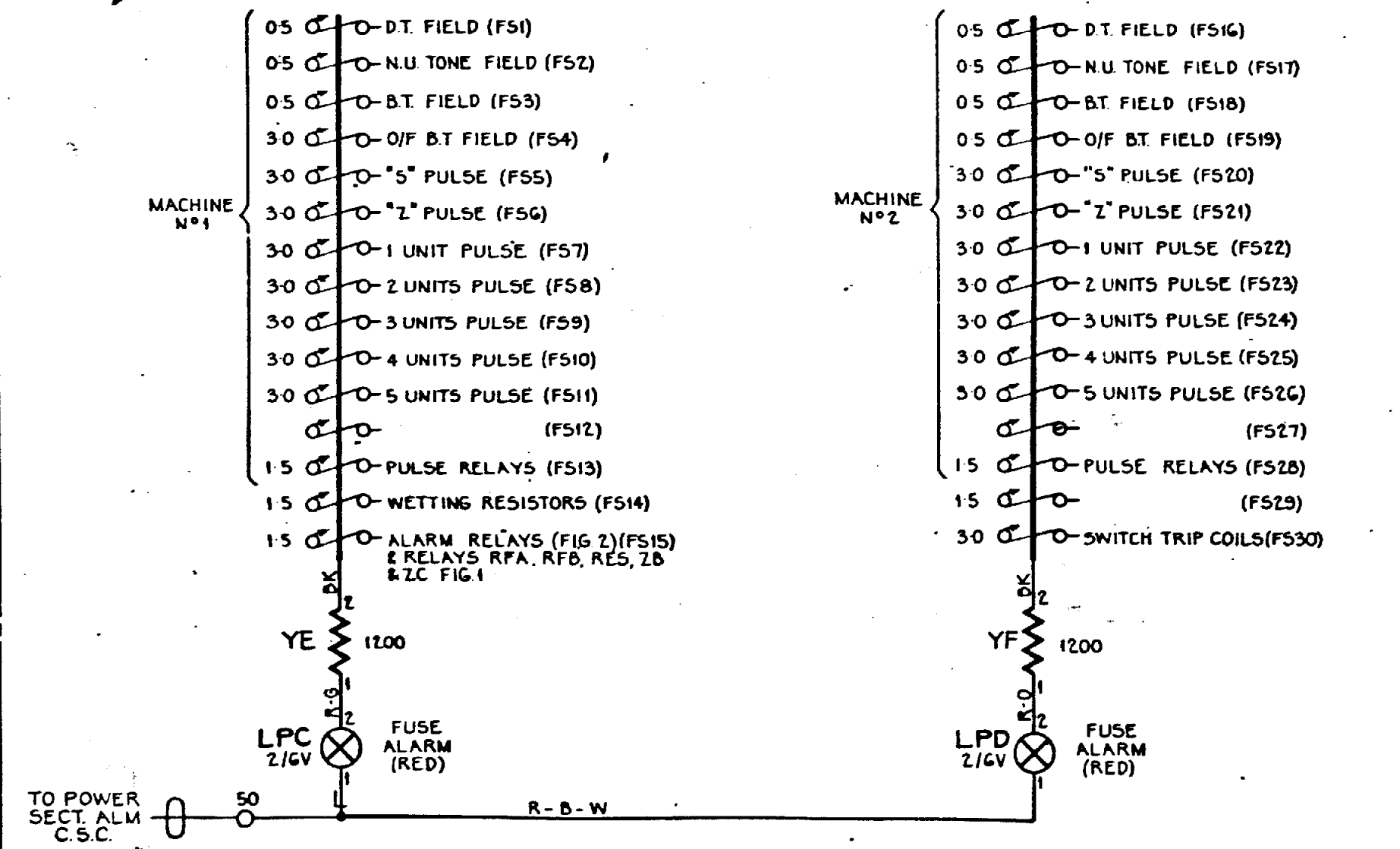
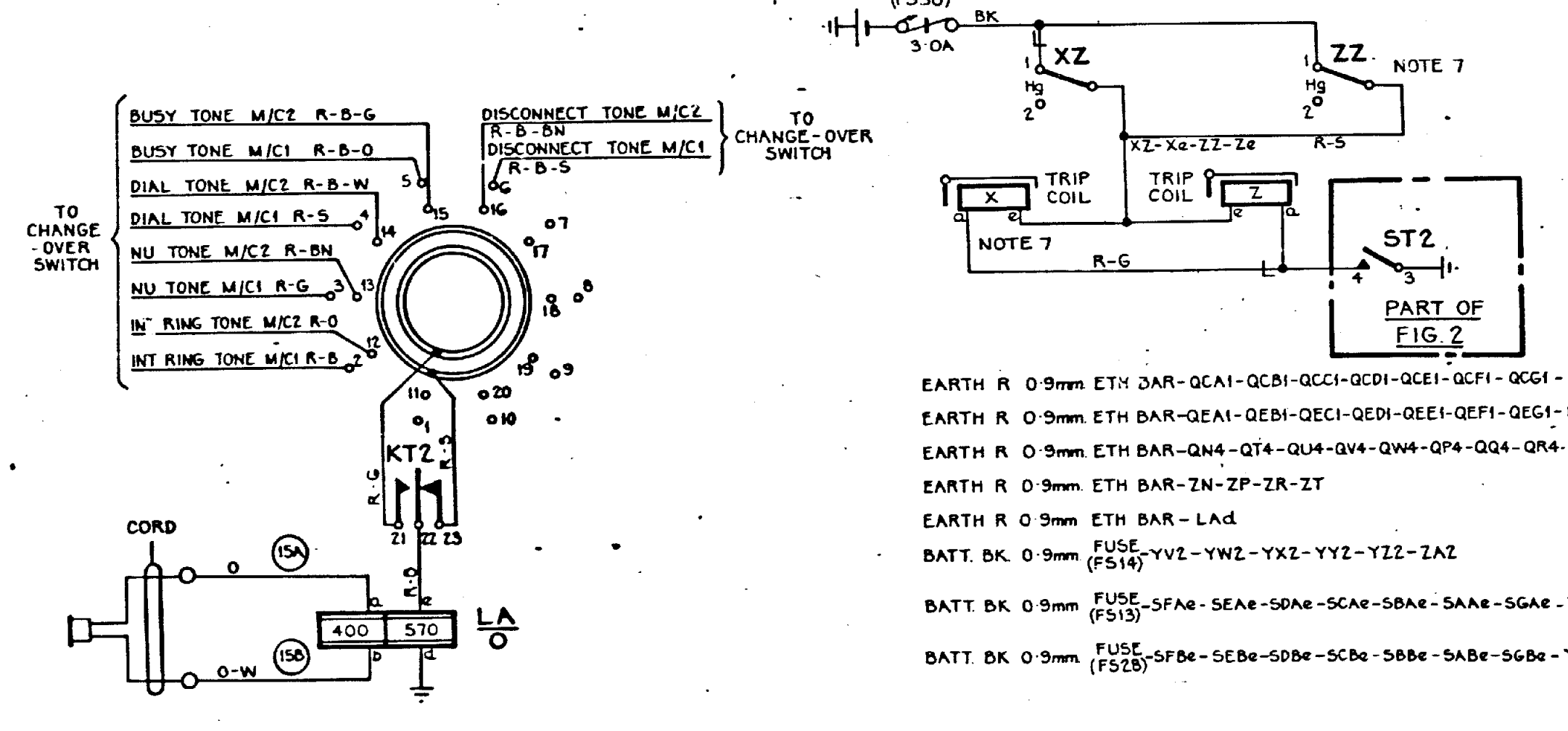
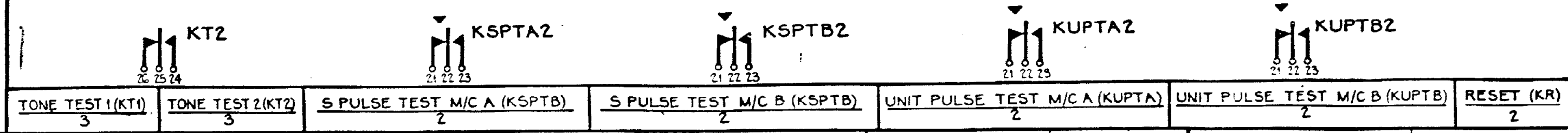


FIG. 3 FUSE ALARM



PART OF FIG. 1 (SEE SHEET 2)

- EARTH R 0.9mm ETH BAR-QCA1-QCB1-QCC1-QCD1-QCE1-QCF1-QG1-DFAE
- EARTH R 0.9mm ETH BAR-QEA1-QEB1-QEC1-QED1-QEE1-QEF1-QEG1-DFBE
- EARTH R 0.9mm ETH BAR-QN4-QT4-QU4-QV4-QW4-QX4-QY4-QZ4-QS4
- EARTH R 0.9mm ETH BAR-ZN-ZP-ZR-ZT
- EARTH R 0.9mm ETH BAR-LAD
- BATT. BK 0.9mm FUSE (FS14) YV2-YW2-YX2-YY2-YY2-ZA2
- BATT. BK 0.9mm FUSE-SFAe-SEAE-SDAe-SCAe-SBAe-SAAe-SGAe-YA2 (FS13)
- BATT. BK 0.9mm FUSE-SFBe-SEBe-SDBe-SCBe-SDBe-SABe-SGBe-YB2 (FS28)



RINGER TONES & METER PULSE CIRCUIT WITH AUTOMATIC CHANGE-OVER 37.5 AND 75 WATTS

SUPERSEDED BY GBW15241 50V E

ISS	DATE	DEL	DC	ORDER	KCD	APD	CHANGE
DRN	T-EQPT	CKD	ORIGIN	T-EQPT			
TCD	NS.	APPD	STANDARD	ATW 22001			
NZ PD ENGINEER-IN-CHIEF, WELLINGTON.							
SHT 3 OF 3				GBW 10900			
SIZE A1							

UD 737