

SEE SHEET 1

FOR NOTES SEE SHEET 1

0 5 Centimetres 10 15 20 25 30 35 40 45 50 55 60

RETRACED FROM ISAF (76045) & 3.78 (77017)		A	17480
M/C SPRINGSET CONTACT MATERIAL CHANGED (72408)		I	
AMENDMENT	PARTICULARS	ISS	DATE APPD
SHEET 2 OF 3		SIZE	A1 50V E
N.Z.P.O.	DRAWN	CHECKED	WIRING CIRCUIT
SUPERSEDED BY GBW 15241			
<input type="checkbox"/> SLOW RELEASE <input checked="" type="checkbox"/> SLOW OPERATE			
RINGING TONES & METER PULSE CIRCUIT WITH AUTOMATIC CHANGE-OVER 37.5 AND 75 WATTS			
MRF CV 8308 OR EQUIV.			

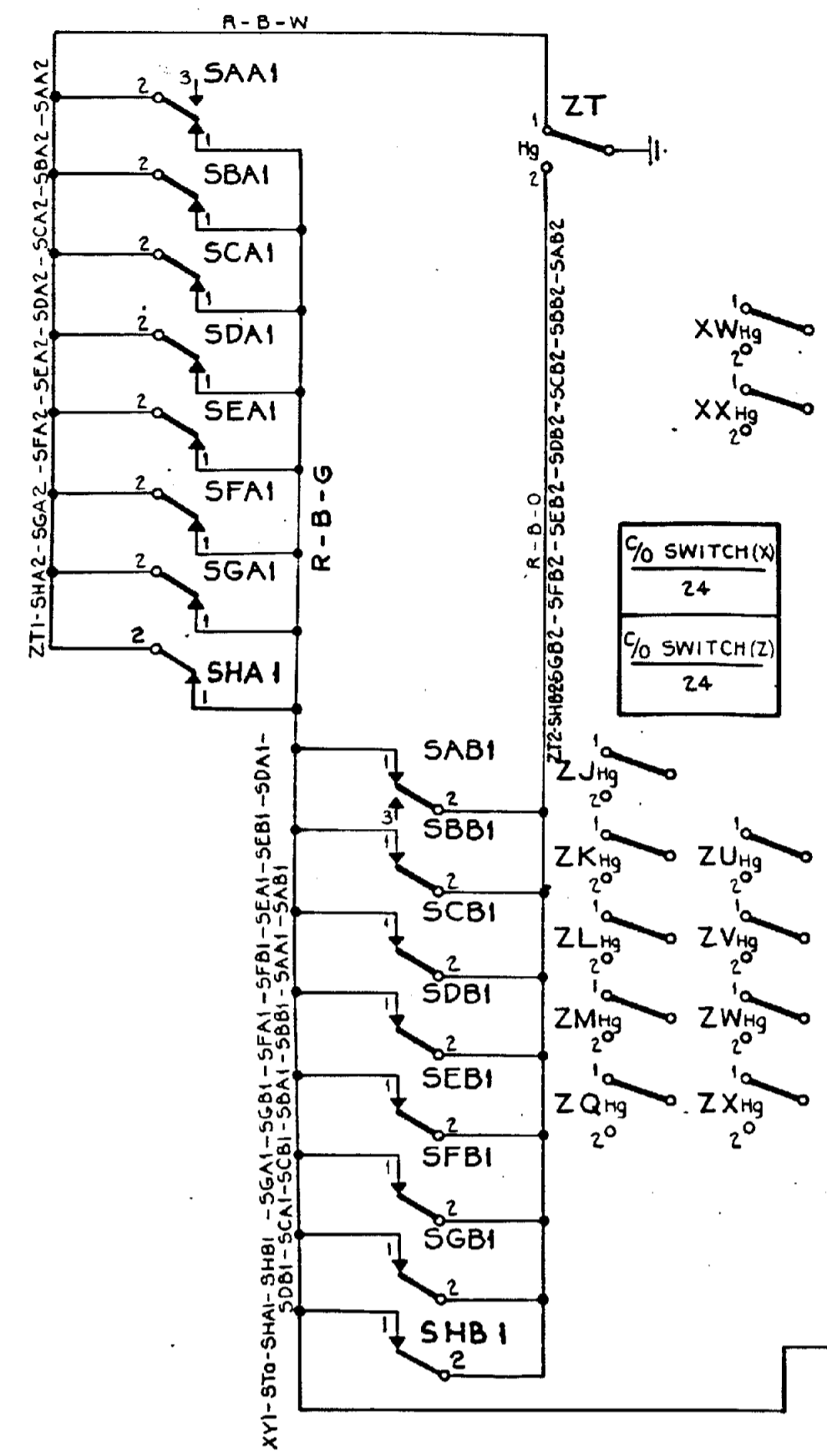
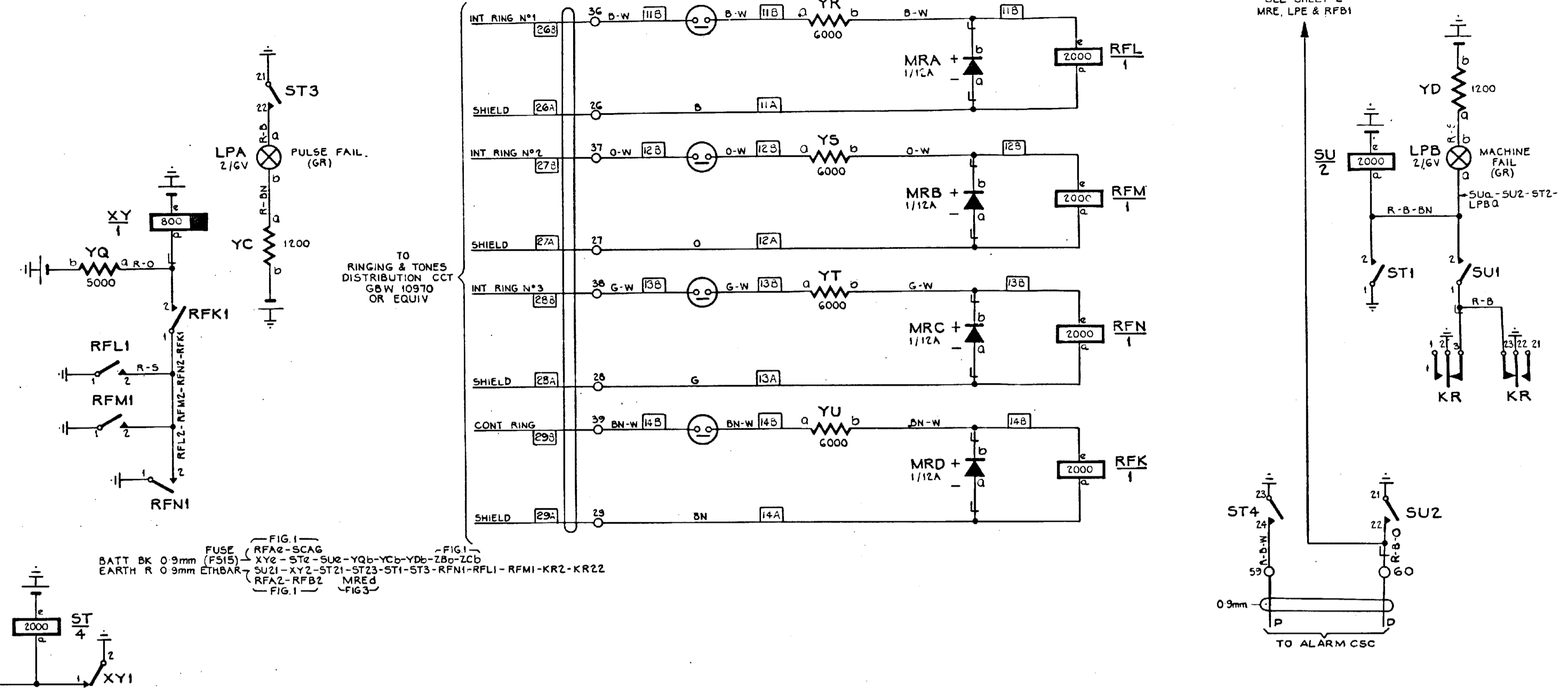


FIG. 2 RINGER FAILURE ALARM AND CHANGE OVER CONTROL CIRCUIT



PART OF FIG. 1 (SEE SHEET 2)

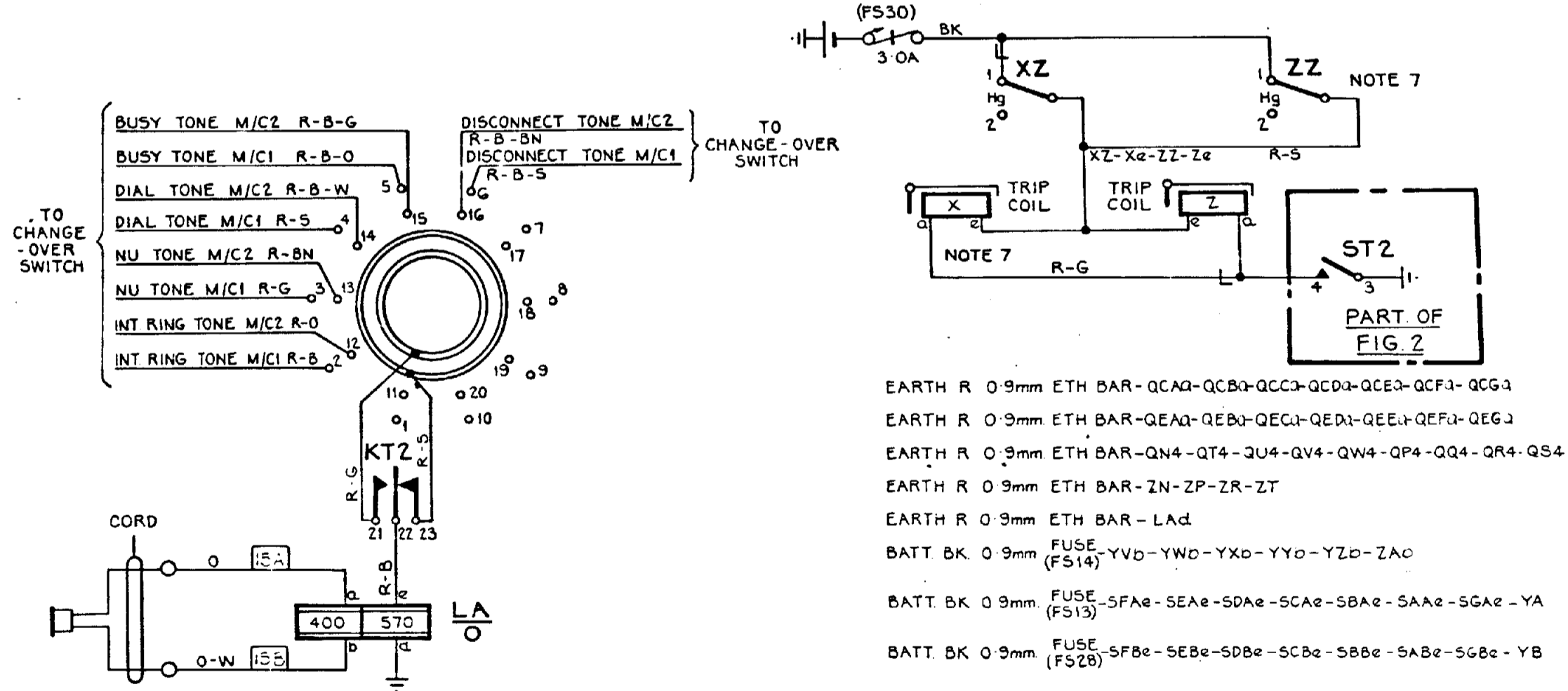
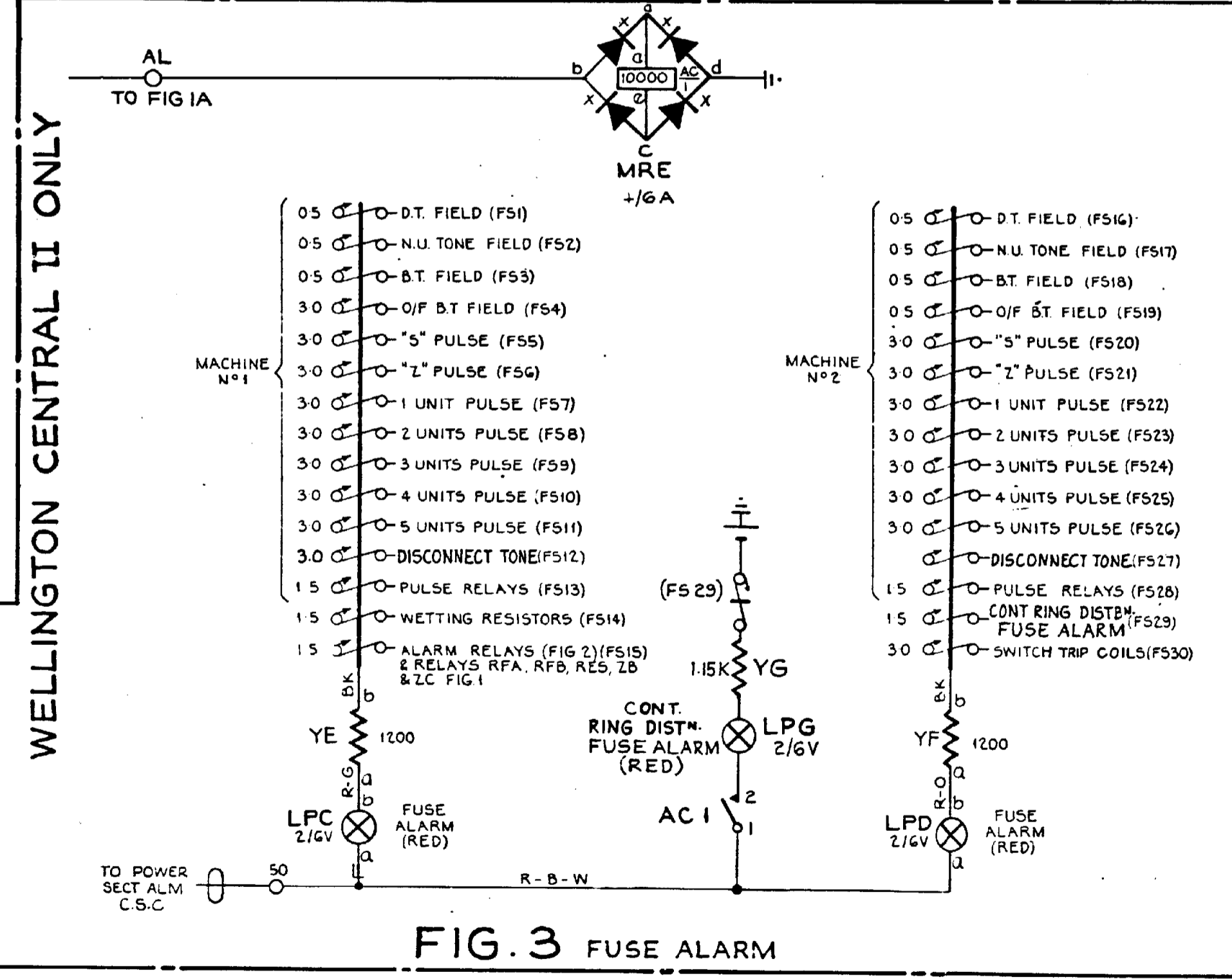
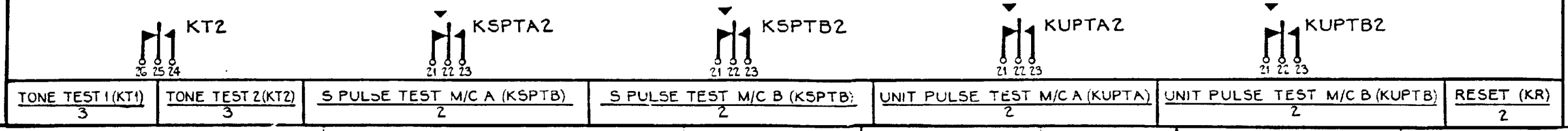
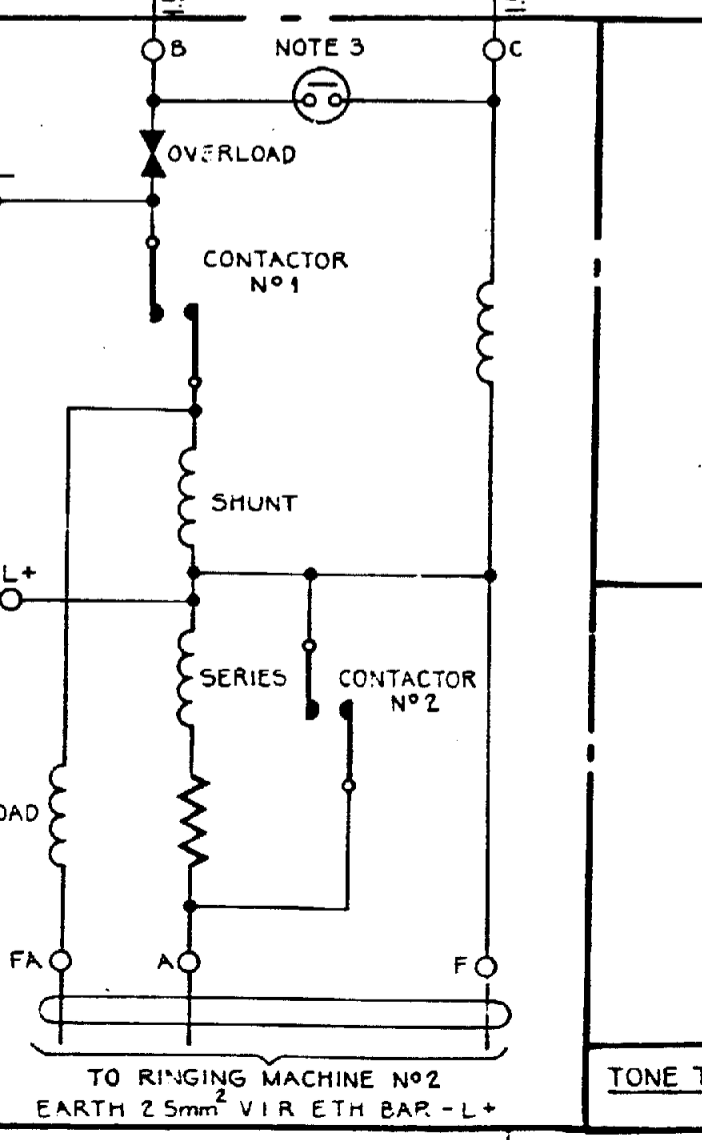


FIG. 4 AUTOMATIC 2-STEP STARTER



RINGING TONES & METER PULSE CIRCUIT WITH AUTOMATIC CHANGE-OVER 37.5 AND 75 WATTS

SUPERSEDED BY GBW15241

1/4	26.2.00	AG	170.17	RETRACED
ISS	DATE	DEL	DC	ORDER
DRN	TEQPT	CKD	ORIGIN	TEQPT
TCD	AG	APPD	STANDARD	ATW 22001
NZPO ENGINEER-IN-CHIEF, WELLINGTON.				
SHT 3 OF 3		GBW 10900		
SIZE A1		MOD A		