

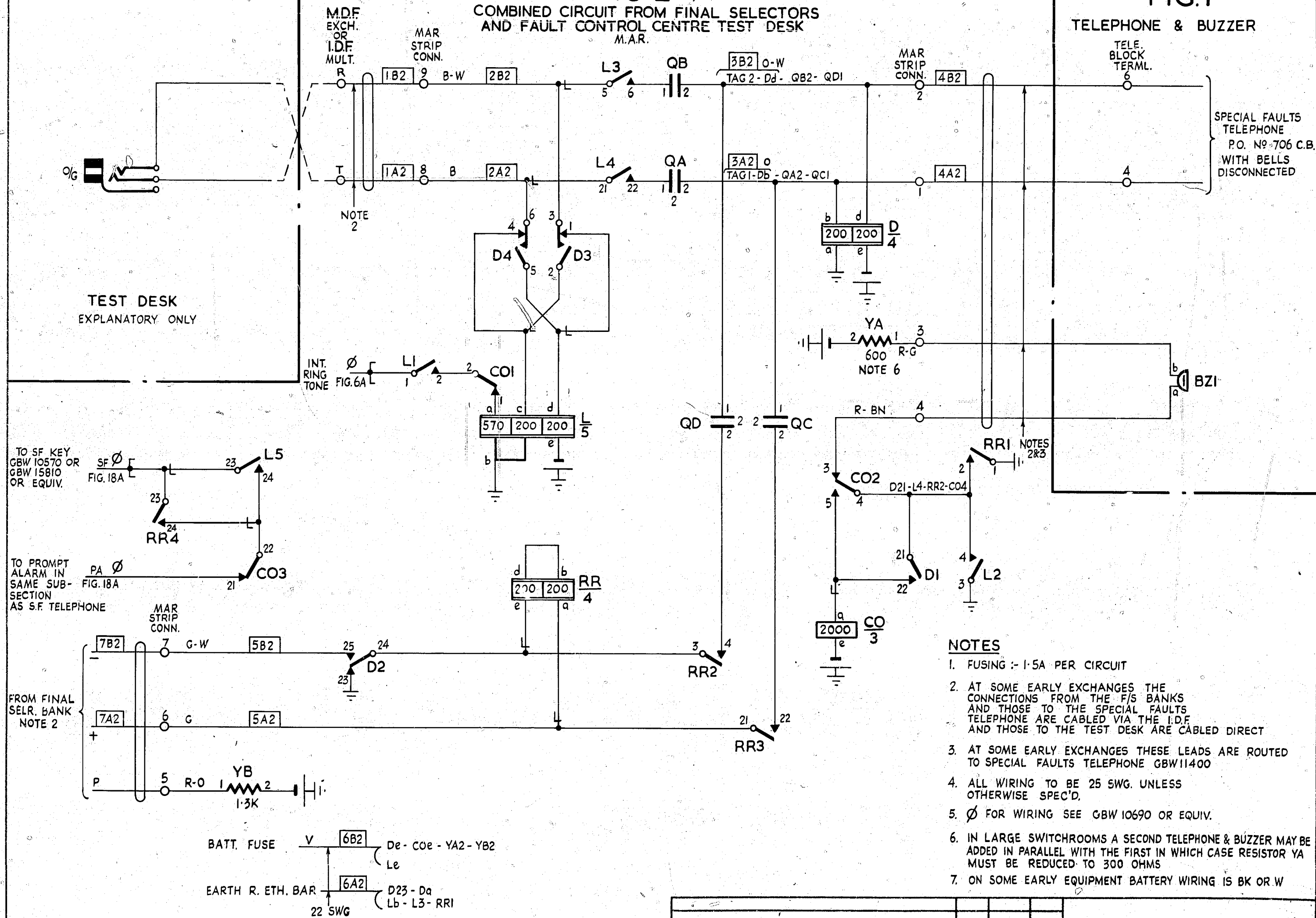
FIG. 2

COMBINED CIRCUIT FROM FINAL SELECTORS AND FAULT CONTROL CENTRE TEST DESK

M.A.R.

FIG. 1

TELEPHONE & BUZZER



TEST DESK
EXPLANATORY ONLY

SPECIAL FAULTS
TELEPHONE
P.O. NO. 706 C.B.
WITH BELLS
DISCONNECTED

TO SF KEY
GBW 10570 OR
GBW 15810
OR EQUIV.

SF ∅

FIG. 18A

TO PROMPT
ALARM IN
SAME SUB-
SECTION
AS S.F. TELEPHONE

PA ∅

FIG. 18A

FROM FINAL
SELR. BANK
NOTE 2

NOTES

1. FUSING :- 1.5A PER CIRCUIT
2. AT SOME EARLY EXCHANGES THE CONNECTIONS FROM THE F/S BANKS AND THOSE TO THE SPECIAL FAULTS TELEPHONE ARE CABLED VIA THE I.D.F. AND THOSE TO THE TEST DESK ARE CABLED DIRECT
3. AT SOME EARLY EXCHANGES THESE LEADS ARE ROUTED TO SPECIAL FAULTS TELEPHONE GBW11400
4. ALL WIRING TO BE 25 SWG. UNLESS OTHERWISE SPEC'D.
5. ∅ FOR WIRING SEE GBW 10690 OR EQUIV.
6. IN LARGE SWITCHROOMS A SECOND TELEPHONE & BUZZER MAY BE ADDED IN PARALLEL WITH THE FIRST IN WHICH CASE RESISTOR YA MUST BE REDUCED TO 300 OHMS
7. ON SOME EARLY EQUIPMENT BATTERY WIRING IS BK OR W

				AUTOMATIC EXCHANGE	
				SPECIAL FAULTS CIRCUIT	
NOTES 6 & 7 ADDED (7998)				6	23.4.69
REDRAWN ORIGINAL FIGS. 1 & 3 DELETED NEW FIG. 1 ADDED				5	
AMENDMENT PARTICULARS				ISSUE	DATE
				APPD.	
				SIZE	S 50V E
				GBW 10840	
N.Z.P.O.		DRAWN	CHECKED	WIRING CIRCUIT	