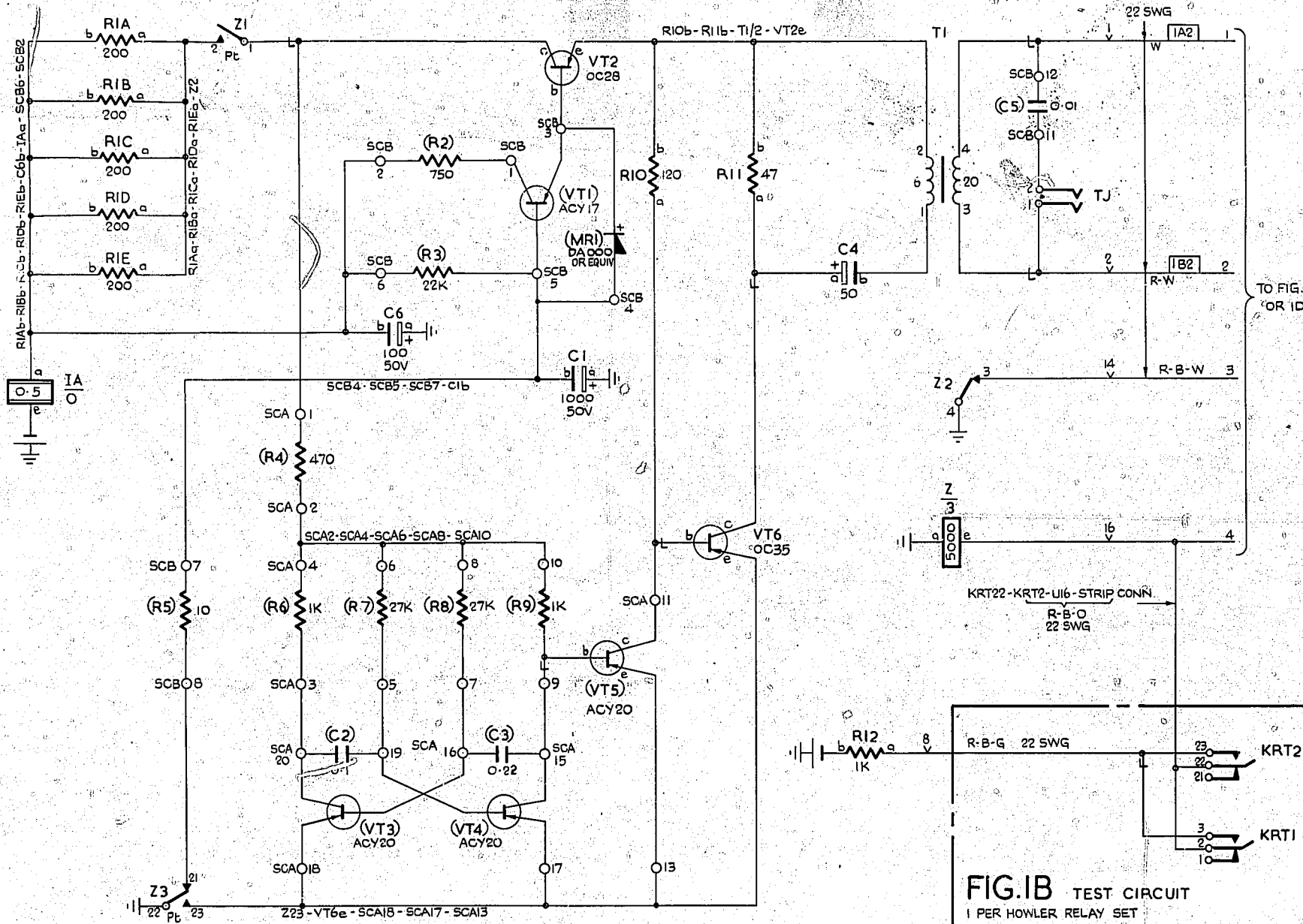
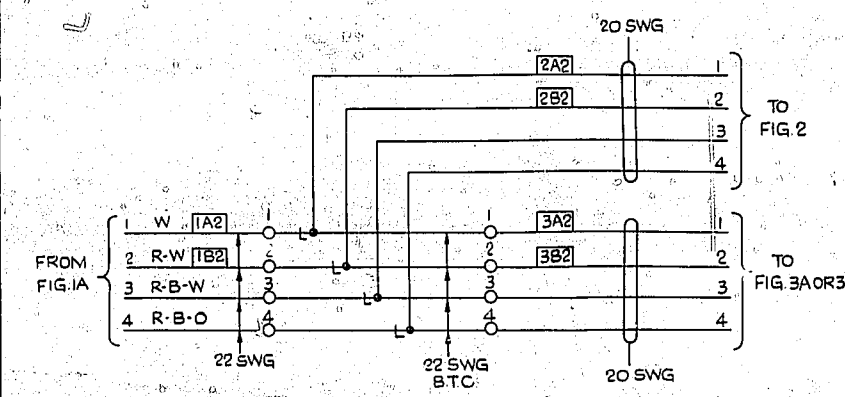


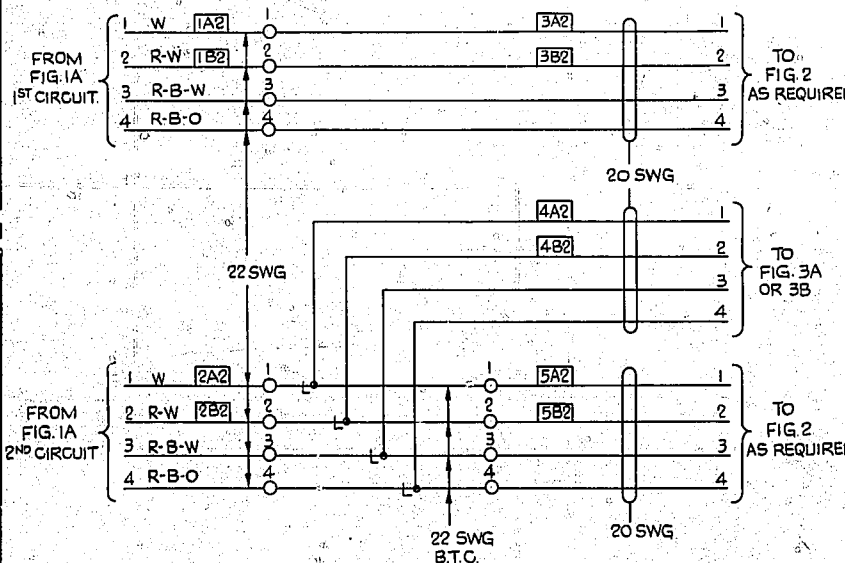
**FIG. 1A HOWLER RELAY SET**  
1 OR 2 PER EXCHANGE  
NOTE 2



BATT. BK 22 SWG FUSE 2B2 UI12  
EARTH R 22 SWG ETH. BAR 2A2 UI11  
BATT. W UI2 - R12b - 1Ae  
EARTH R UI1 - C6a - Z22 - Z4 - C1a

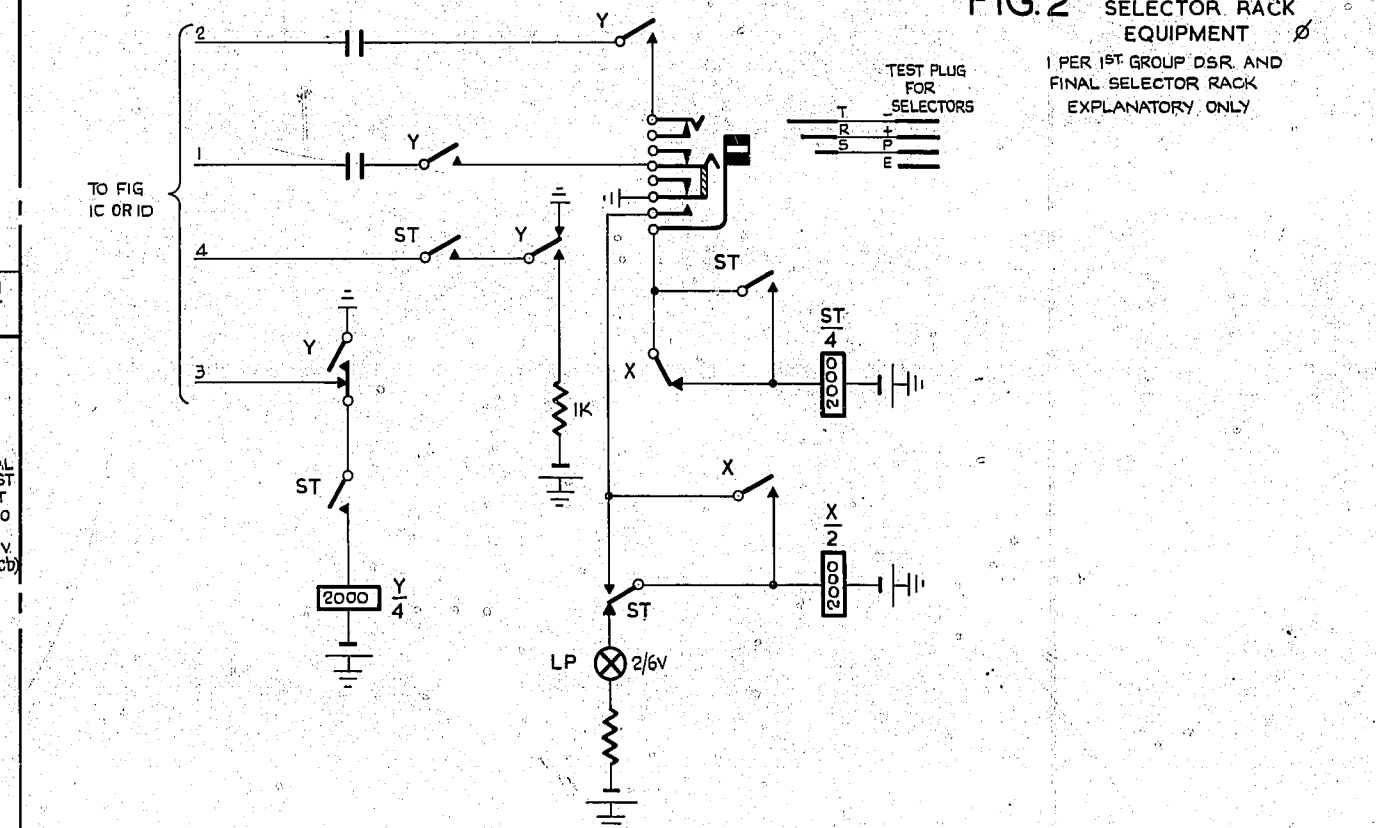


**FIG. 1C**  
A.E.R. STRIP CONN.  
PER EXCHANGE WITH ONE  
HOWLER RELAY SET



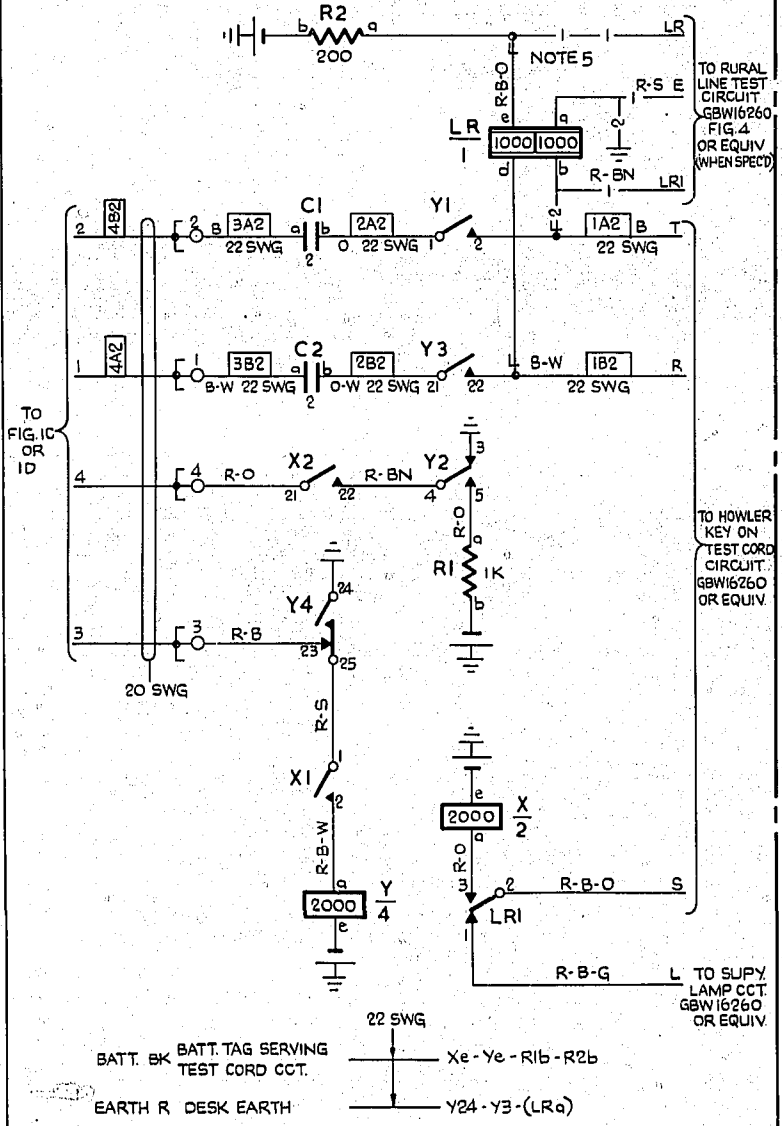
**FIG. 1D**  
A.E.R. STRIP CONN.  
PER EXCHANGE WITH TWO  
HOWLER RELAY SETS.

**FIG. 1B TEST CIRCUIT**  
1 PER HOWLER RELAY SET  
ROUTINE TEST (KRT)  
2

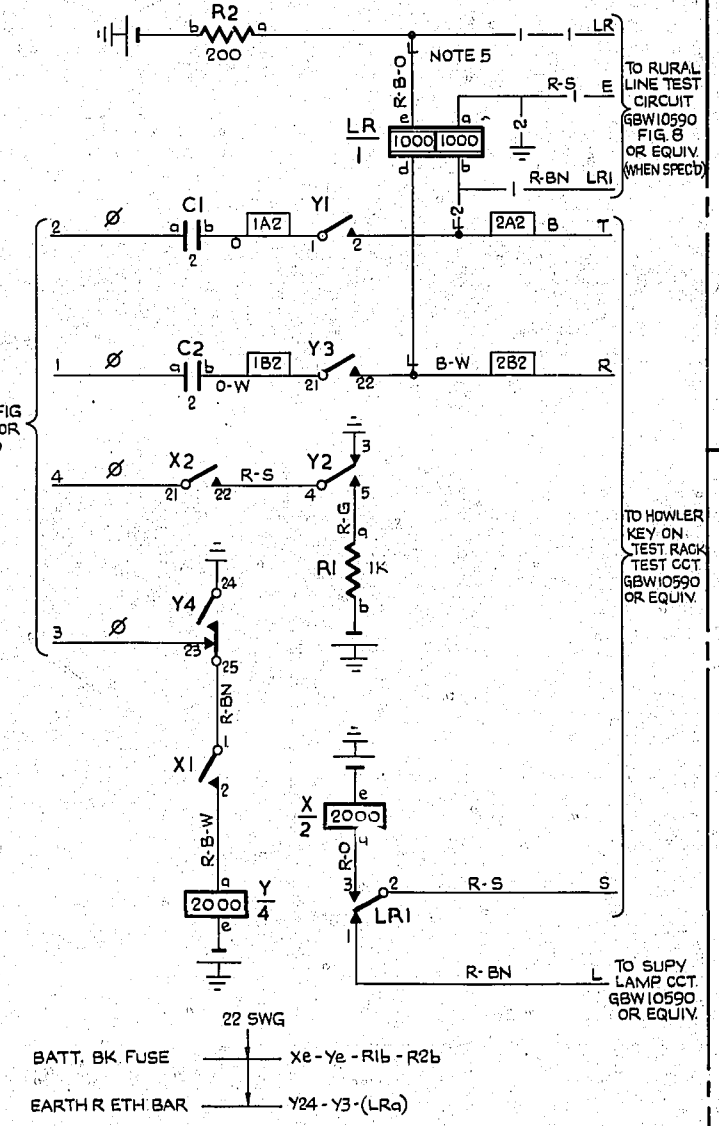


**FIG. 2 SELECTOR RACK EQUIPMENT**  
1 PER 1ST GROUP DSR AND FINAL SELECTOR RACK  
EXPLANATORY ONLY

- NOTES**
1. FUSING - FIG. 1A 1-5A PER RELAY SET FIGS. 3A AND 3B FUSED WITH ASSOCIATED TEST CORD OR TEST JACK CIRCUIT.
  2. IN EXCHANGES WITH OVER 4000 SUBSCRIBERS ULTIMATE, 2 HOWLER RELAY SETS SHOULD BE PROVIDED WHERE SPEC'D.
  3. ALL WIRING NOT OTHERWISE SPECIFIED TO BE 25 SWG.
  4. Ø FOR WIRING SEE RELEVANT RACK COMMON SERVICES DIAGRAM.
  5. WHEN RURAL LINE TEST FACILITIES ARE SPECIFIED ADD CONNECTIONS SHOWN — 1 — 1 — AND DELETE CONNECTIONS SHOWN — 2 — 2 —



**FIG. 3A**  
TEST DESK EQUIPMENT  
1 PER TEST CORD CIRCUIT



**FIG. 3B**  
TEST RACK EQUIPMENT  
1 PER TEST JACK CIRCUIT

GRADUATED HOWLER			
MRI FIG. 1A ADDED	(63471)	2	12-8-66
AMENDMENT PARTICULARS	ISSUE DATE	APP'D	50V. E
NZPO	DRAWN	CHECKED	WIRING CIRCUIT
GBW 10822			