

FIG. 1A. HOWLER RELAY SET

1 OR 2 PER EXCHANGE. NOTE 2

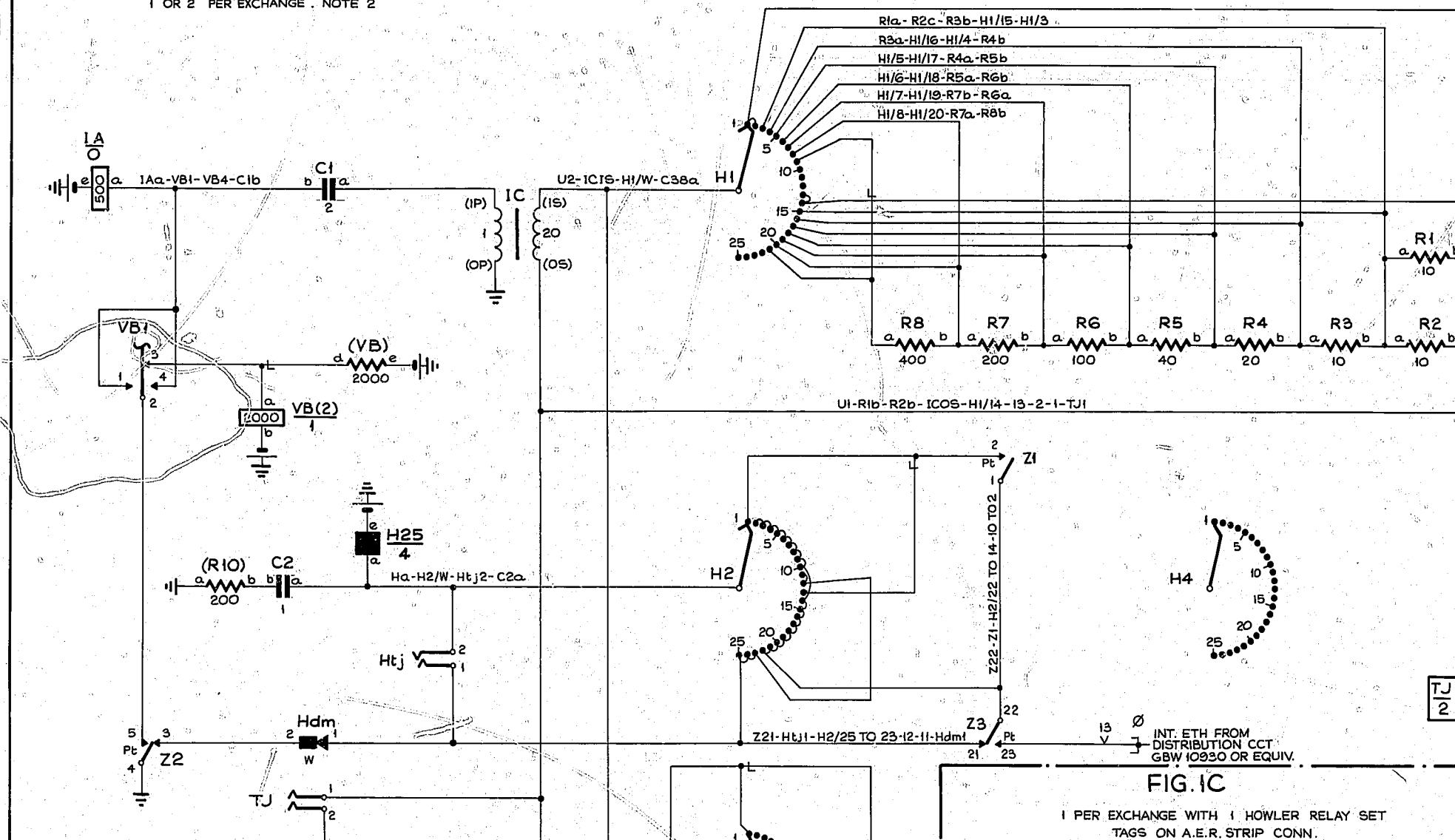
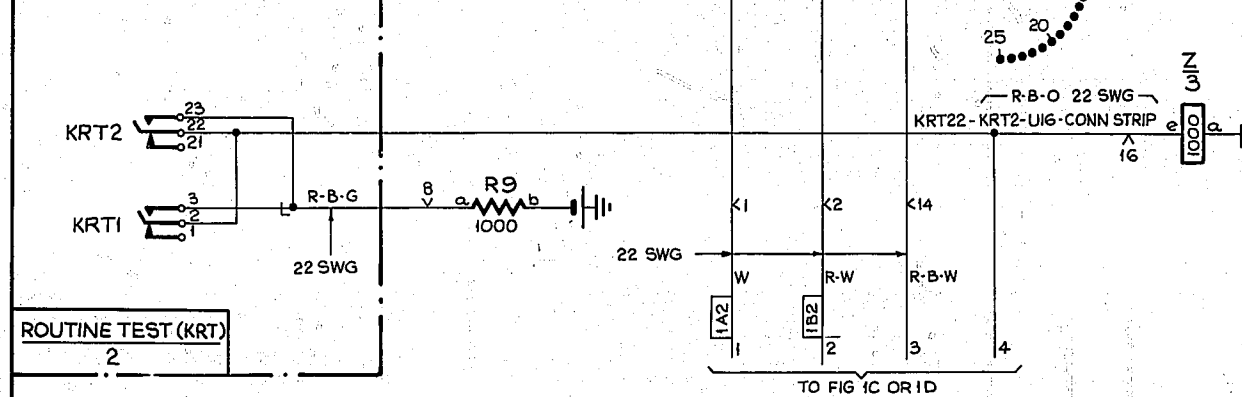


FIG. 1B.

1 PER HOWLER RELAY SET



BATTERY BK 22 SWG. FUSE 2B2 U12-1A2-VB1-VB2-H2-R9b

EARTH R 22 SWG. ETH BAR 2A2 U11-Z4-Z4-1COP-H3/W-R10a

FIG. 2⁰ SELECTOR RACK EQUIPMENT

1 PER 1ST GROUP, DSR. AND FINAL SELECTOR RACK EXPLANATORY ONLY

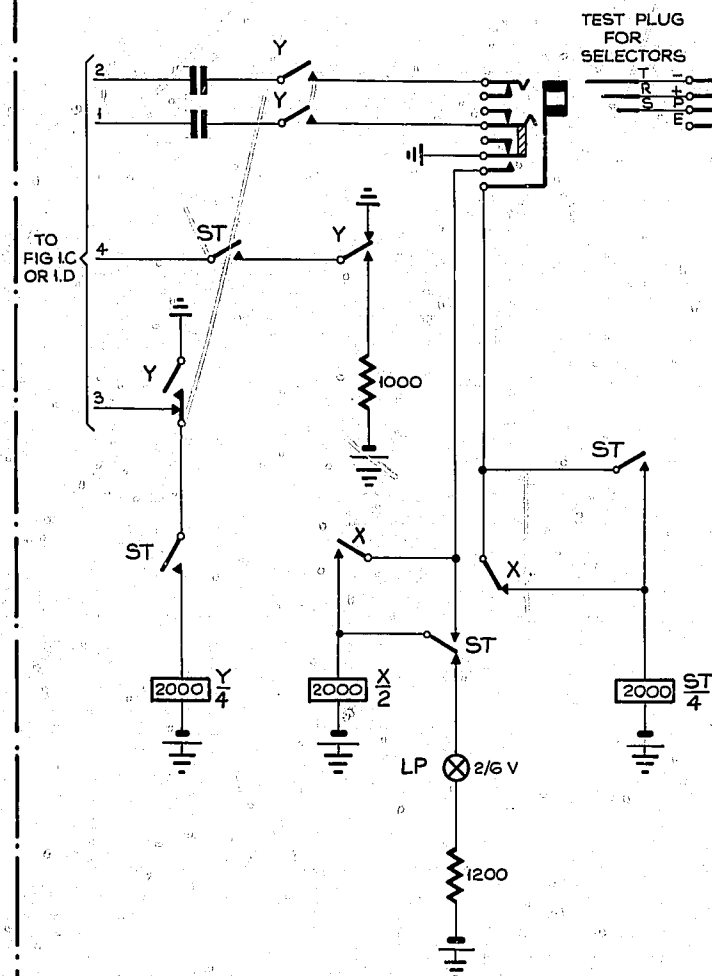


FIG. 1C

1 PER EXCHANGE WITH 1 HOWLER RELAY SET TAGS ON A.E.R. STRIP CONN.

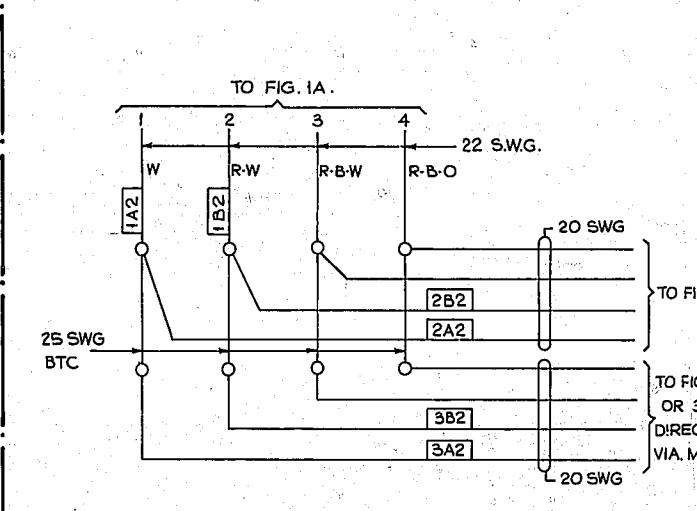


FIG. 1D

1 PER EXCHANGE WITH 2 HOWLER RELAY SETS TAGS ON A.E.R. STRIP CONN.

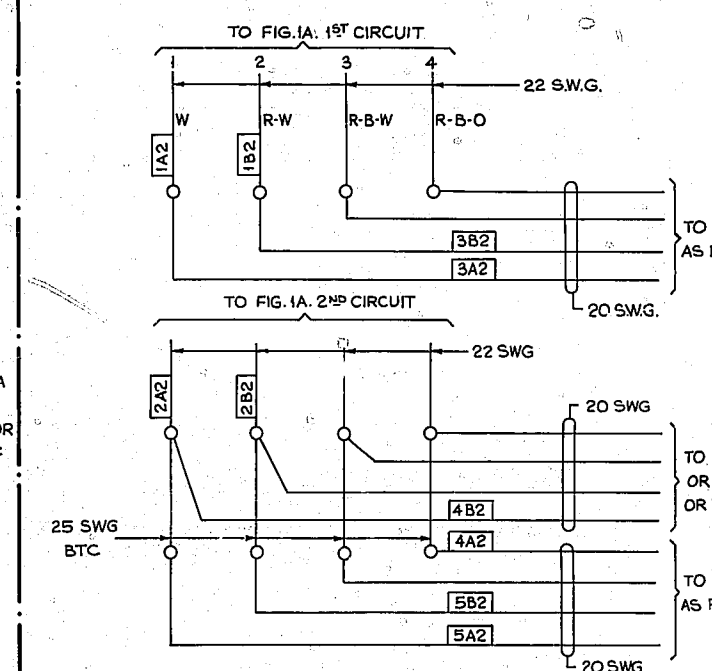
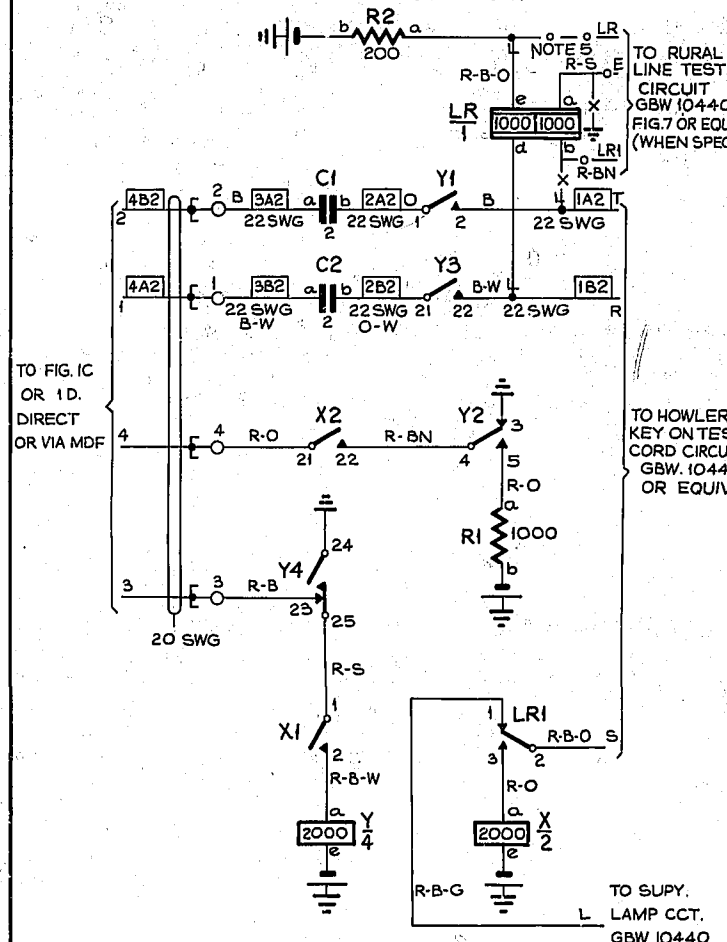


FIG. 3A TEST DESK EQUIPMENT.

1 PER TEST CORD CIRCUIT

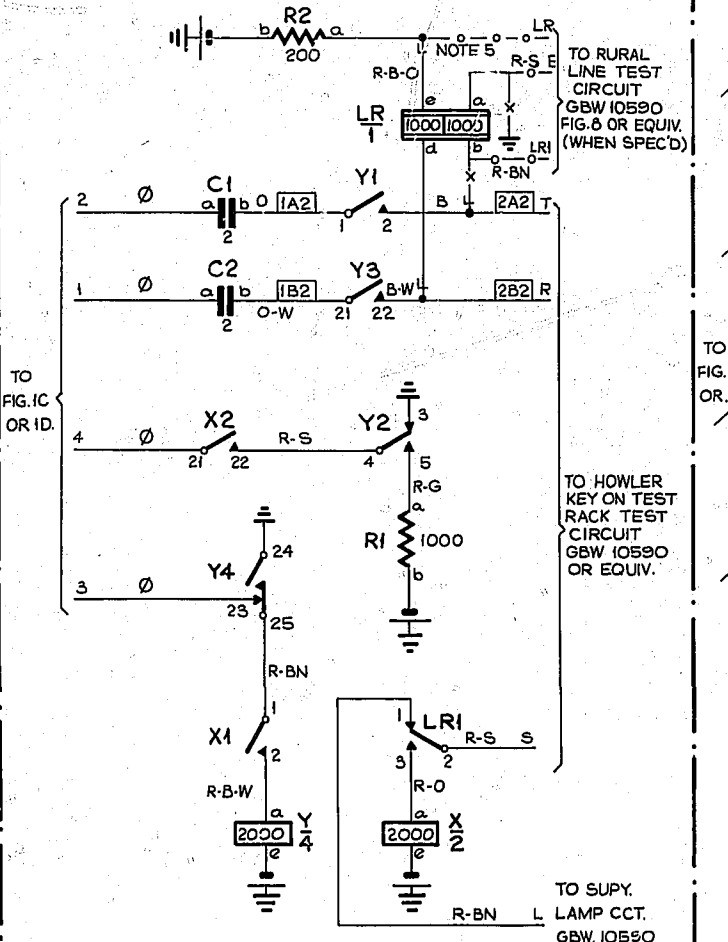


BATTERY BK 22 SWG ON TEST CORD CIRCUIT. X2-Y2-R1b-R2b

EARTH R 22 SWG DESK EARTH-Y24-Y3-(LRa)

FIG. 3B TEST RACK EQUIPMENT.

1 PER TEST JACK CIRCUIT

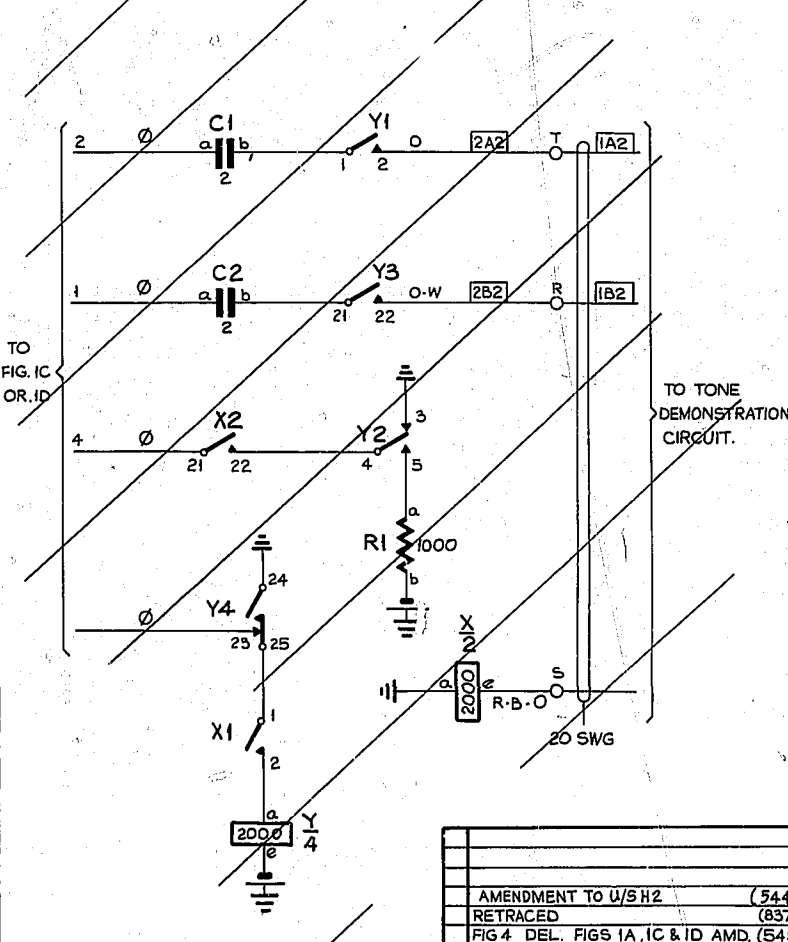


BATTERY BK 22 SWG FUSE X2-Y2-R1b-R2b

EARTH R 22 SWG EARTH BAR-Y24-Y3-(LRa)

FIG. 4 MONITORS DESK EQUIPMENT.

M. A. R.



- NOTES :-
- FUSING :-
FIG. 1A, 1.5A PER RELAY SET
FIGS. 3A AND 3B FUSED WITH TEST CORD OR TEST JACK CCT.
 - IN EXCHANGES WITH OVER 4000 SUBSCRIBERS ULTIMATE, 2 HOWLER RELAY SETS SHOULD BE PROVIDED, WHERE SPECIFIED.
 - ALL WIRING NOT OTHERWISE SPECIFIED TO BE 25 SWG.
 - Ø FOR WIRING SEE RELEVANT COMMON SERVICES DIAGRAM.
 - WHEN RURAL LINE TEST FACILITIES ARE SPECIFIED ADD CONNECTIONS SHOWN
○-○ AND DELETE CONNECTIONS SHOWN -X-X-

AMENDMENT TO U/S H2 (54452)				4B	28-384	AJC
RETRACED (83787)				4A	22-1074	B5H
FIG 4 DEL. FIGS 1A, 1C & 1D AMD. (54959)				4	26-11-62	DBH
NOTE 5, ER RELAY FIGS 3A & 3B ADD. (27934)				3	8-8-60	F.R.
AMENDMENT PARTICULARS				ISSUE DATE	APPR	REF:-
NZPO				DWN.	CKD.	WIRING CIRCUIT
GRADUATED HOWLER				GBW 10821		
SIZE M				50V E		