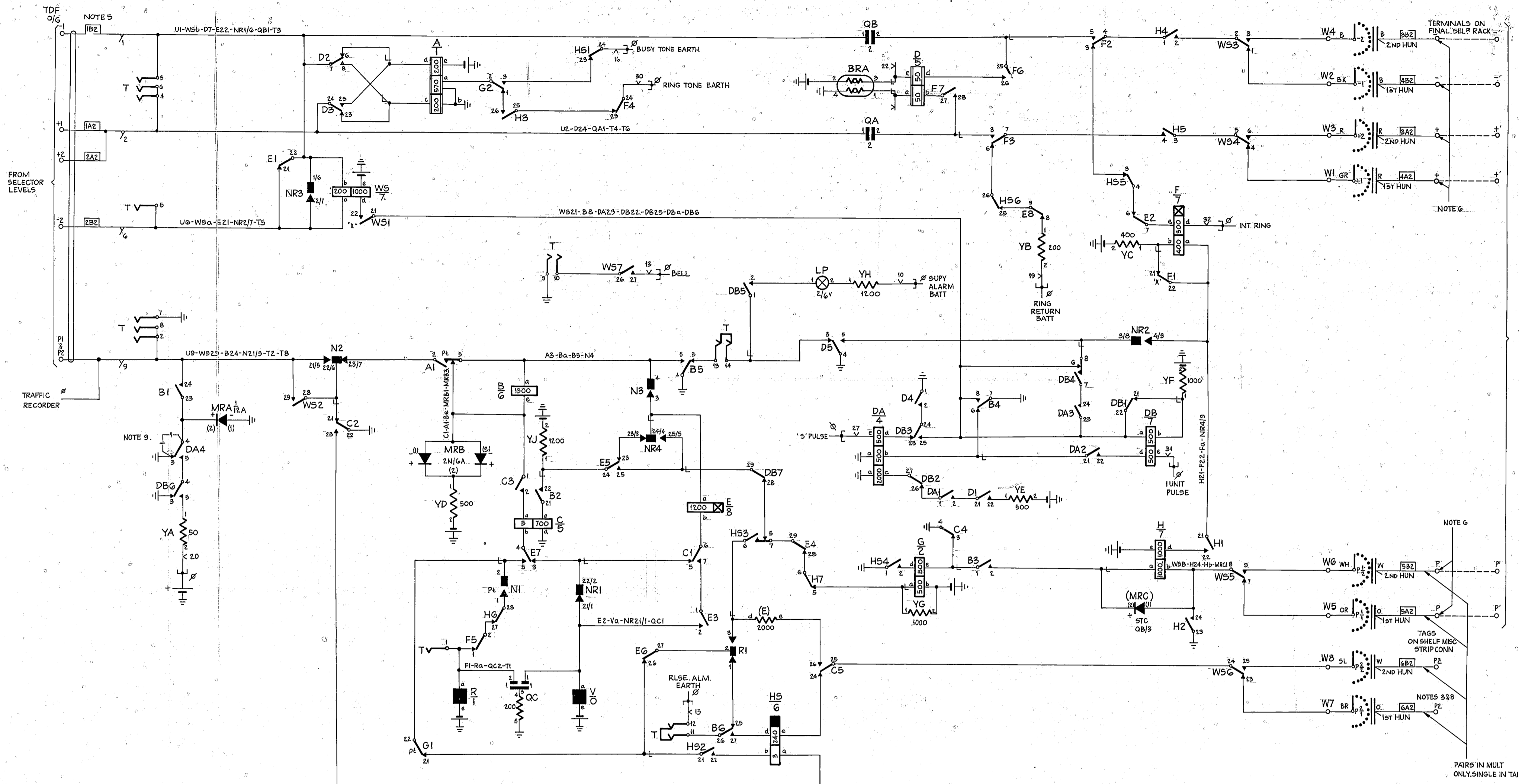
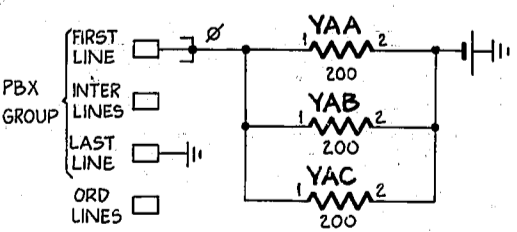


5 Centimetres
 10
 15
 20
 25
 30
 35
 40
 45
 50
 55



- NOTES:**
- 1 FUSE :- RC. 1.5A PER CIRCUIT. (FC 3.0A) POS. BATT :- 0.5A PER 10 CCTS.
 - 2 CONTACTS 11 OF LEVEL. 1 (REVERSE NUMBERED N.Z. DIAL) OR LEVEL 9 (STANDARD BRO DIAL) TO BE MULTIPLIED AND WIRED TO MISC. STRIP CONN.
 - 3 CONNS OF P2 BANKS :- (SEE ALSO NOTE 8)



- 4 Ø FOR WIRING SEE GBW 10680 OR EQUIV.
- 5 WHEN FULL AVAILABILITY FROM GROUP SELECTORS IS SPECIFIED, INCOMING LEADS ARE CABLED DIRECT FROM BANK MULT STRIP CONN AND NOT VIA TDF. IN SUCH CASES THE FOLLOWING STRAPS MUST BE APPLIED ON SITE :- a) IN ALL CASES STRAP U11 TO U7. b) WHEN NO SELECTOR IS EQUIPPED STRAP U5 TO U7, EXCEPT WHERE GBW 14850 NOTE 2.9 APPLIES.
- 6 WHEN A CENTRALISED IDF IS SPECIFIED THE +, -, P TERMINALS ON THE BANK MULT STRIP CONN ARE CABLED TO IDF MULT.
- 7 WHERE ALTERNATIVE MECHANICAL SPRING N°S ARE SHOWN, eg: 2.2/2 THE N°S BEFORE AND AFTER THE STROKE APPLY TO TYPE 2 & TYPE 1 SPRINGSETS RESPECTIVELY. N°S WITHOUT AN OBLIQUE STROKE APPLY TO BOTH TYPES OF SPRINGSETS.
- 8 CONNECTIONS OF LINES 10 & 11 ON P2 BANK.
 UPPER HUNDRED LINE 11, STRAP MISC. TAG 92 } TO BATT. TAGS (YA) OR ETH. TAGS (E)
 LOWER HUNDRED LINE 11, STRAP MISC. TAG 92 } ON MULT. STRIPS CONN AS REQ'D.
 UPPER HUNDRED LINE 10, STRAP MISC. TAG 93 } TO ETH. TAGS (E) ON MULT
 LOWER HUNDRED LINE 10, STRAP MISC. TAG 93 } STRIPS CONN. AS REQ'D.
- 9 WHEN LOCAL METERING IS NOT REQUIRED INSERT STRAP SHOWN — | — |

BATT (W) :- U12-W5e-He-YD2-YE2-YF2-YC2-Ac-Gb-Ve-Re-BRA2-YG2-YJ2.
 EARTH (R) :- U11-D1-D4-H51-C22-Cd-C4-H23-Ab-B7-DA07-DA3-DB3-MRA1-
 -MRA1-BRA4-QC5-T7-T9. (DA4)
 POSITIVE BATT (B) :- U20-YA2

<input type="checkbox"/> SLOW RELEASE <input checked="" type="checkbox"/> SLOW OPERATE	
200 LINE FINAL SELECTOR 2-10 P.B.X. POSITIVE BATTERY METERING 2000 TYPE	
RETRACED	(86516)
NOTES 8 & 9 ADDED	(8027) 7 25-11-71 B-9H
AMENDMENT PARTICULARS	ISSUE DATE APPD REF GEC DRG 58563 50° E
GBW 10790	
NZPO	SIZE M
DRAWN	CHECKED
WIRING	CIRCUIT

N	NR	T
3	4	14

TO SUBS. LINE CIRCUIT NOTE 2

PAIRS IN MULT ONLY, SINGLE IN TAILS

NOTE 6

NOTE 5

NOTE 9

NOTE 6