

EXPLANATORY ONLY.

TDF OR IDF
1/c 0/6

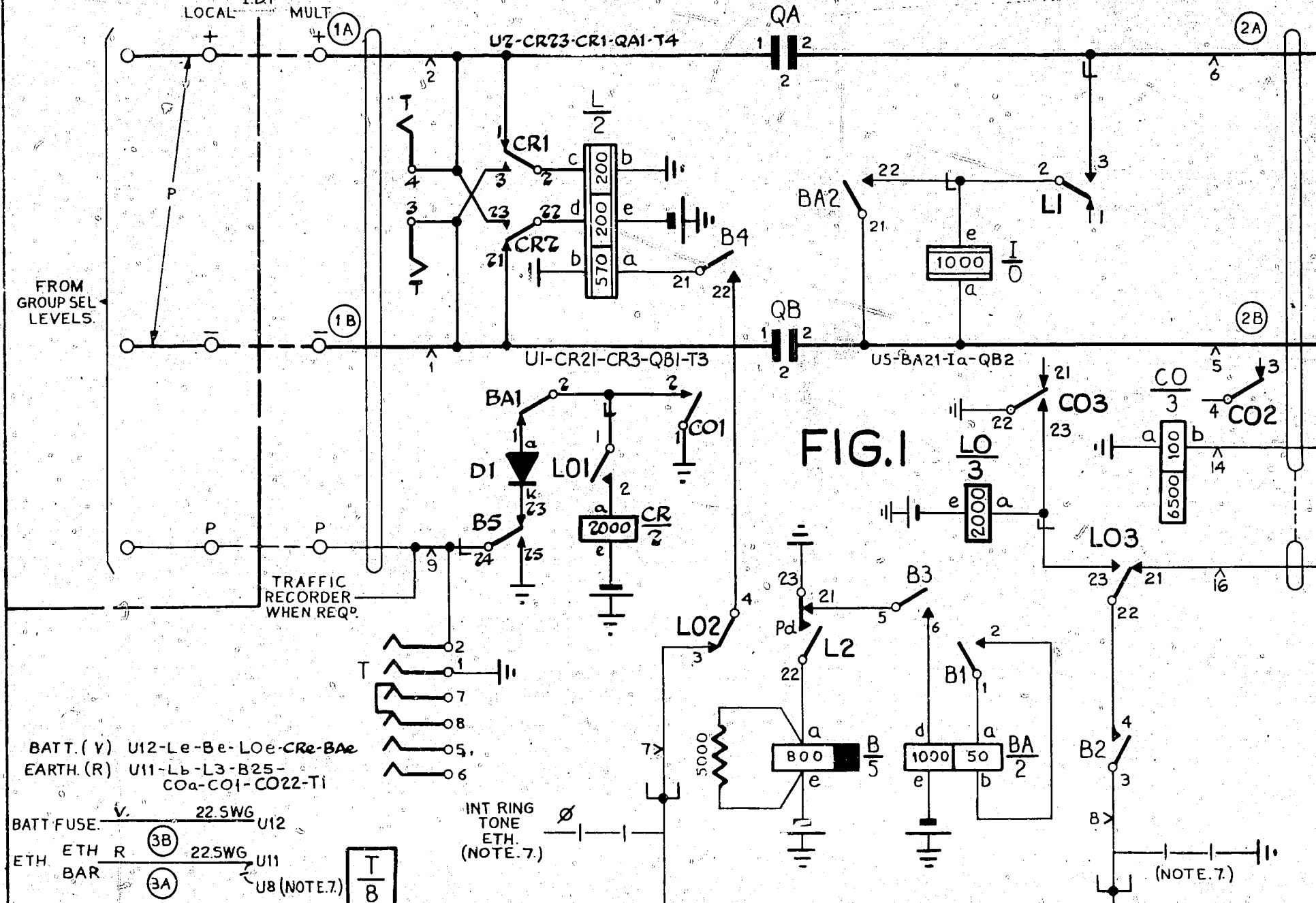


FIG. 1

BATT. (V) U12-Le-Be-LOe-CRe-BAe
EARTH. (R) U11-Lb-L3-B25-COa-CO1-CO22-T1

BATT FUSE. 22.5WG U12
ETH BAR 22.5WG U11
U8 (NOTE.7) T/B

- NOTES:-
- FUSES:- FIG 1. 1.5A PER CCT.
FIG 4. 1.5A PER 20 CCTS.
 - IN FIG1. SHELF JACK POINTS U9 & U11 TO MAKE CONTACT WHEN RELAY SET IS REMOVED.
 - FIG2. NU SWITCHING KEY TO BE PROVIDED ONE PER GROUP SEL. LEVEL SERVING FAULTSMEN'S LINES
 - ALL WIRING TO BE 25 SWG UNLESS OTHERWISE SPECIFIED.
 - Ø FOR WIRING SEE ASSOCIATED COMMON SERVICE DIAGRAM.
 - WHEN IDF IS NOT REQUIRED CABLF DIRECTLY FROM RELAY SET TO DESK OR RACK AND/OR LAMP RELAY OR TO TURRET AS SPECIFIED.
 - WHEN FIG 2 IS NOT REQUIRED WIRE AS SHOWN & DELETE WIRING SHOWN
 - WHEN UP TO 5 LAMP APPEARANCES ARE REQUIRED USE CONNECTIONS SHOWN THUS WHEN OVER 5 LAMP APPEARANCES ARE REQUIRED USE CONNECTIONS SHOWN THUS
 - ON EARLIER EQUIPMENTS LAMP RESISTOR FIG. 3. & LAMP RESISTOR FIG 4. WERE 1.2K.
 - ON EARLY EQUIPMENT, -ve BATT. COLOUR WAS BK OR W.

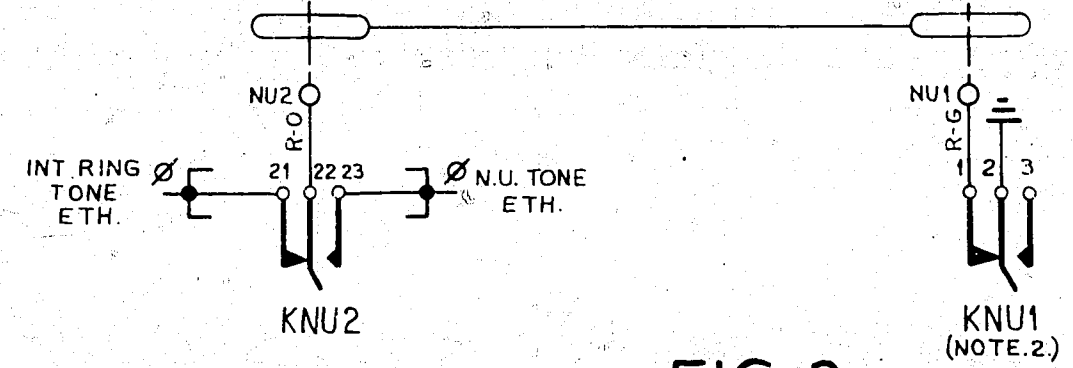


FIG. 2.

N.U. TONE SWITCHING KEY
TEST DESK-MISC. SECTION.
OR TEST RACK
NOTE 3

NU SWITCHING (KNU)
2

FIG. 3

TEST-DESK OR TEST RACK

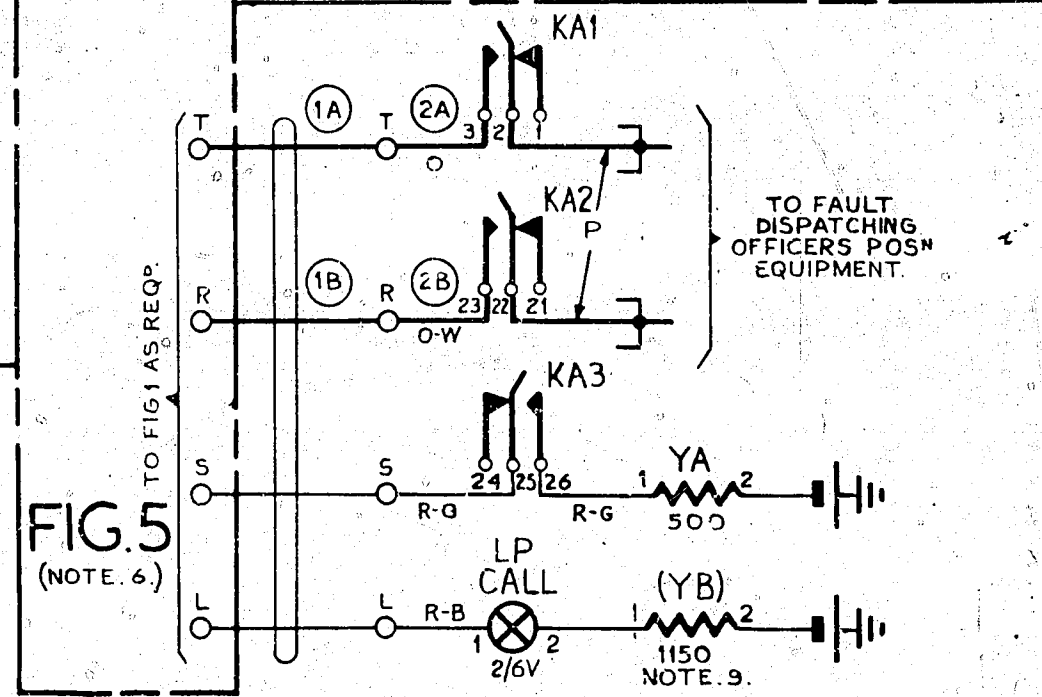
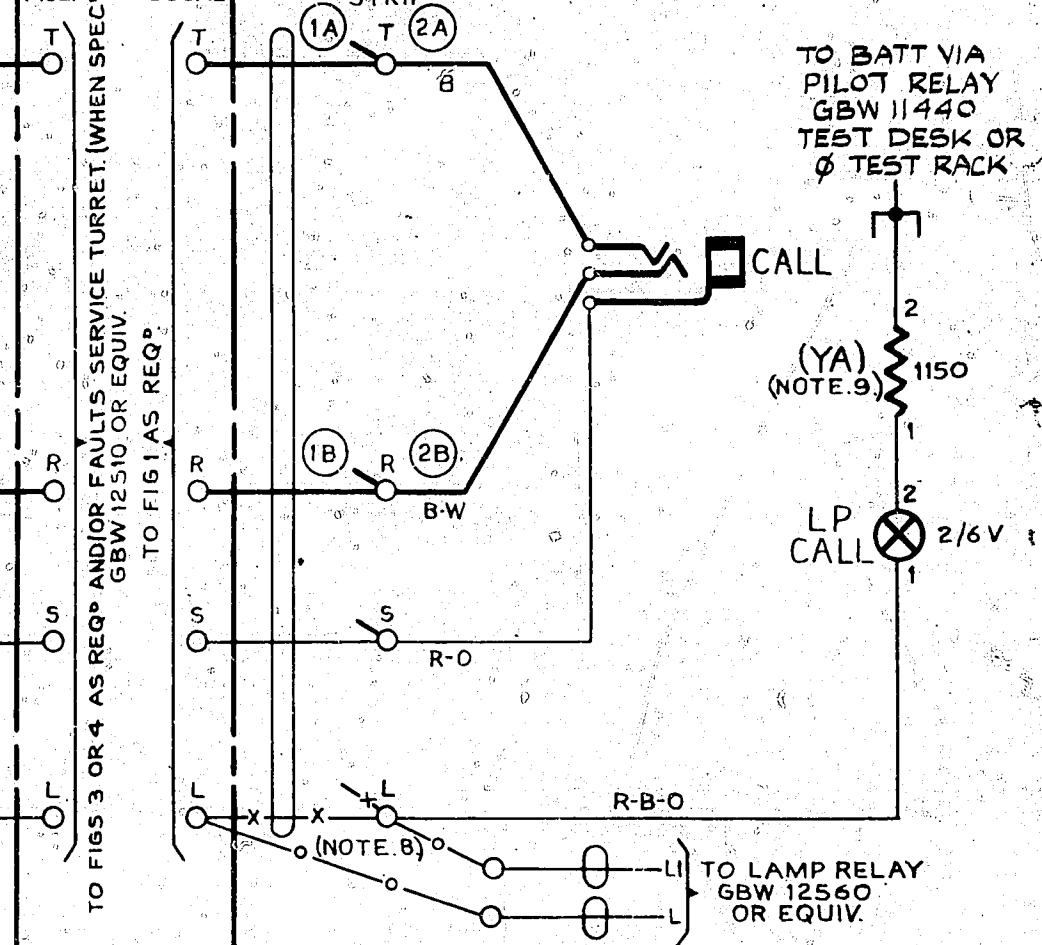
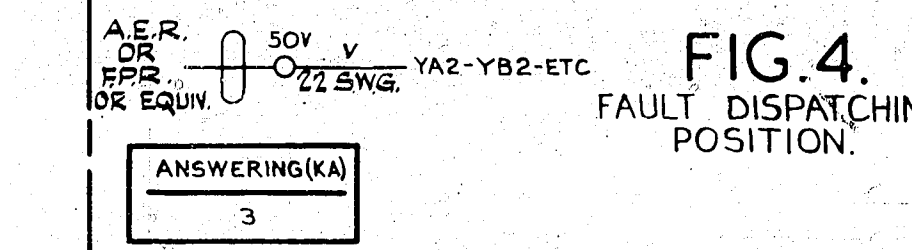


FIG. 4.

FAULT DISPATCHING POSITION.

FIG. 5

(NOTE. 6)



FAULTSMEN'S LINES
TERMINATING ON TEST DESK
OR RACK OR FAULT DISPATCHING
POSITION OR EQUIV.
WITH TONE SWITCHING KEY.
NEC CROSSBAR WORKING (1800 2000 a LOOP)

PREPARED FROM GBW 10490 ISS. 9 (68341)		A	2.5.75	BS-H
AMENDMENT PARTICULARS		ISSUE	DATE	APP. REF.
NZPO	A.T.&E. Co. Ltd	662 R'C'D5	APPROVED	DRAWN
LIVERPOOL	J.C.	O.A.P.	J.B.	CHECKED
			TG.10-11-49	WIRING
			TG.10-11-49	CIRCUIT
				HB.

GBW 10490 MOD A