

FIG. 1. RINGING CORD CIRCUIT

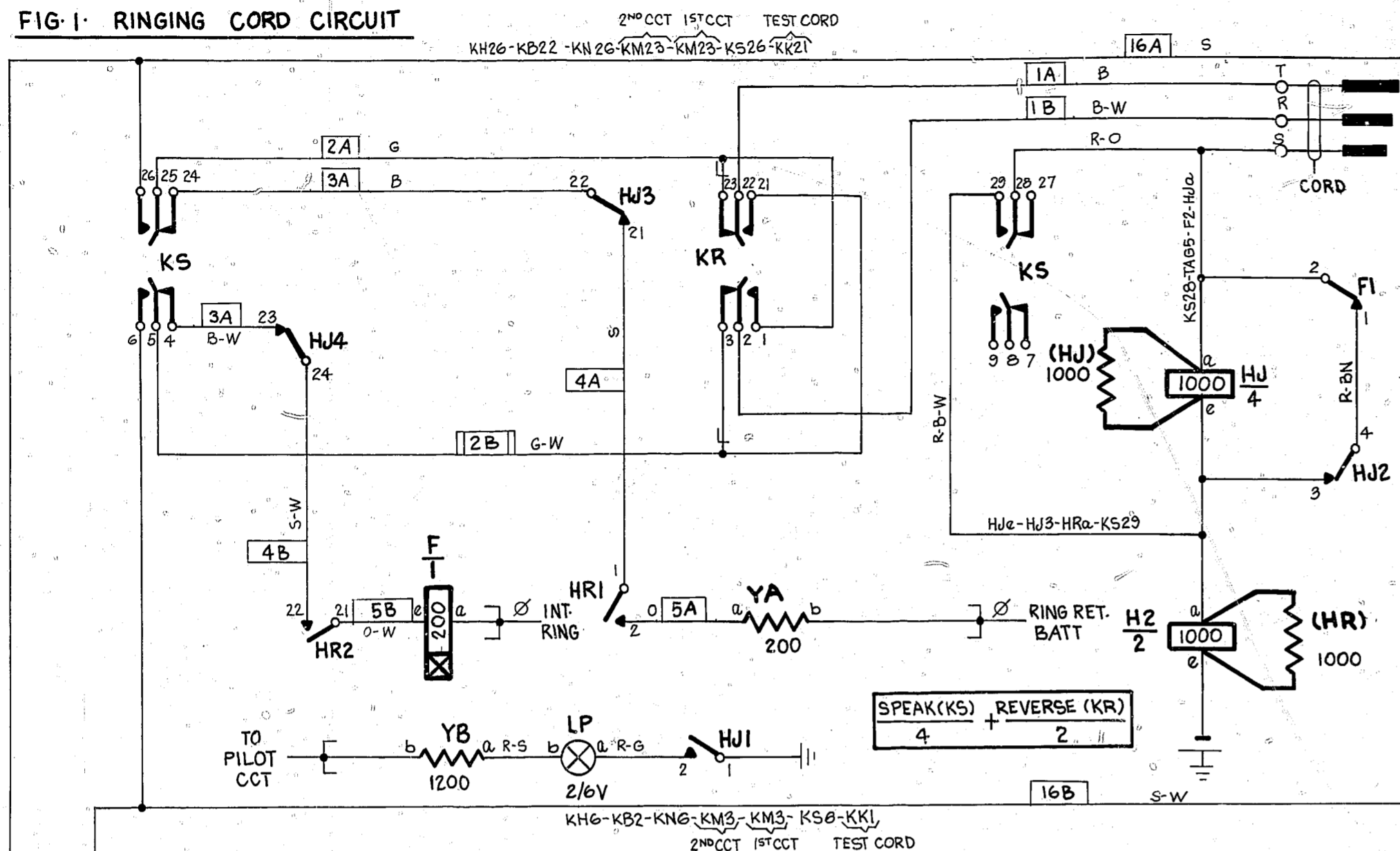
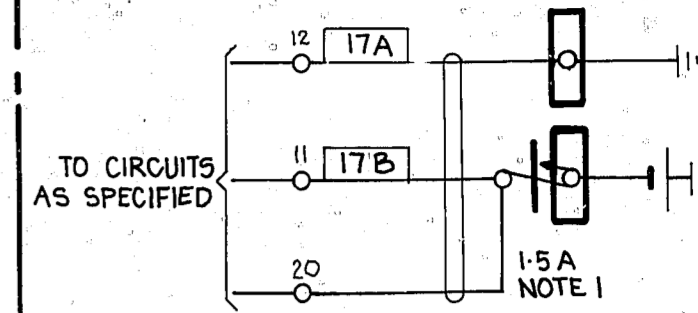
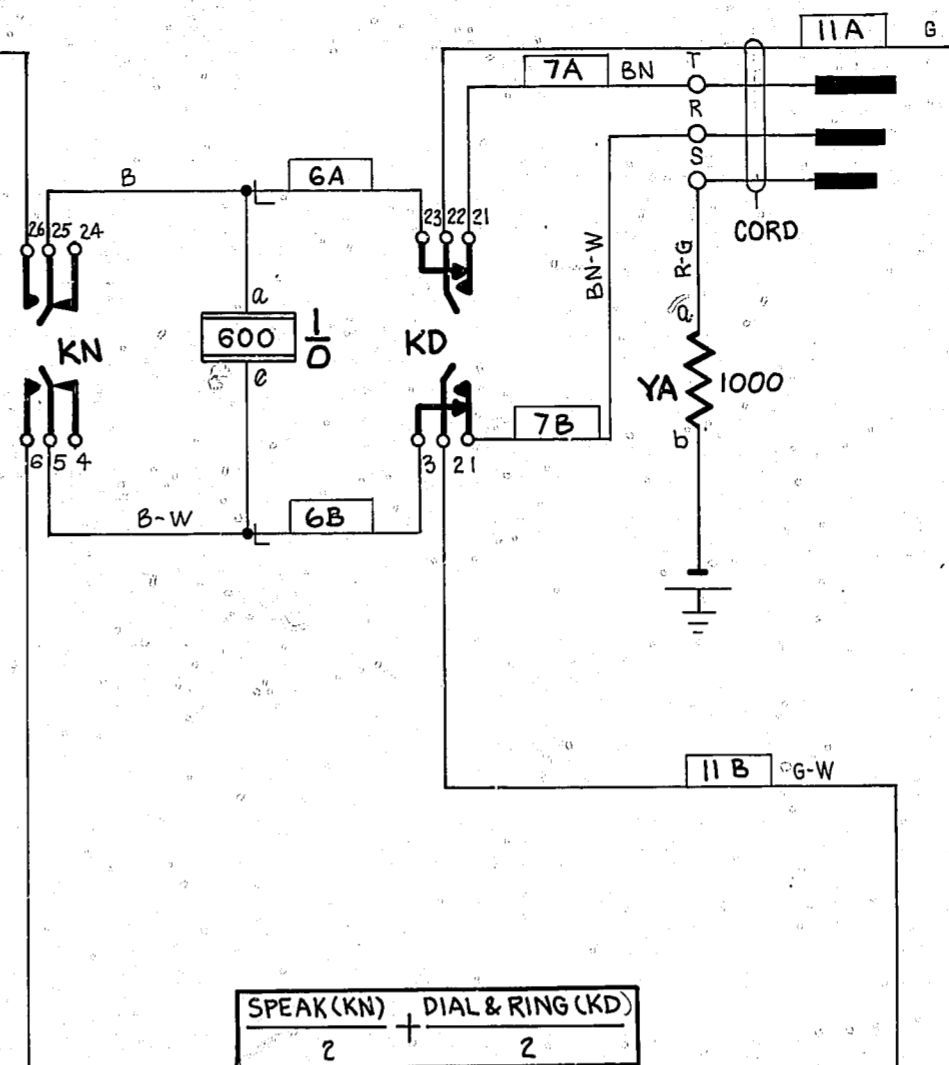


FIG. 2. SPEAKING CORD CIRCUIT



NOTES:-
 1. FUSING:- 1.5A PER TEST SECTION (FIGS. 1, 2 & 3) AT SOME EXCHANGES ONE FUSE IS PROVIDED AS SHOWN IN INSET FIGURE.
 1.5A PER TEST SECTION (FIG. 5)

2. IN EXCHANGES WHERE 'ENG' SERVICE IS IN OPERATION DELETE CONNECTIONS SHOWN AND PROVIDE FIG. 3C IN PLACE OF FIG. 3B.
 3. ALL WIRING TO BE 0.6mm UNLESS OTHERWISE SPECIFIED.
 4. Ø FOR WIRING SEE GBW 11480 OR EQUIV.

NZ NOTE:-
 A. PROVIDE CONNECTIONS SHOWN — | — | WHEN CONNECTING CORD IS USED FOR ACCESS TO O/G DIALLING CCTS.

FIG. 3A. CONNECTING CORD CIRCUIT

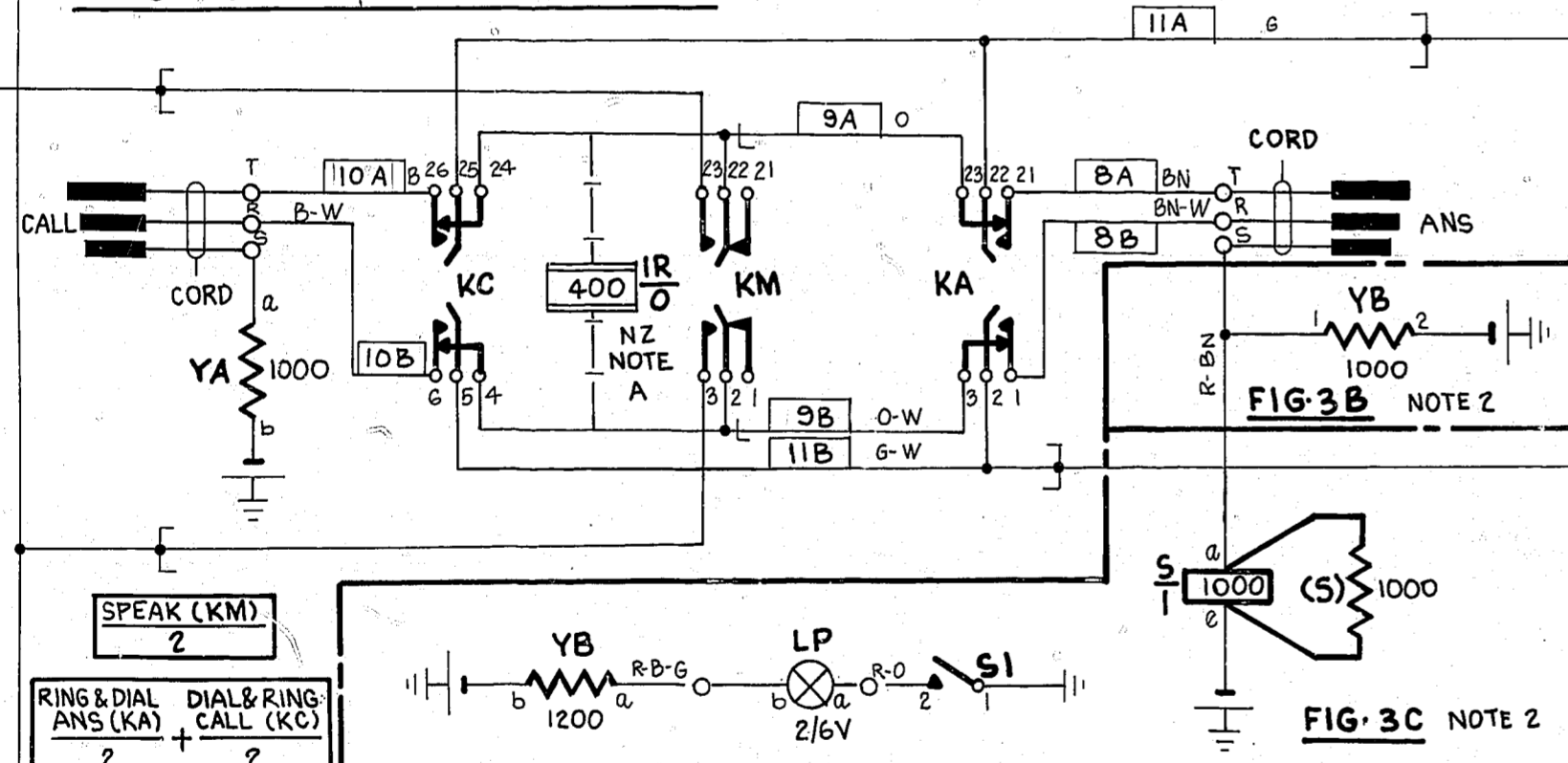
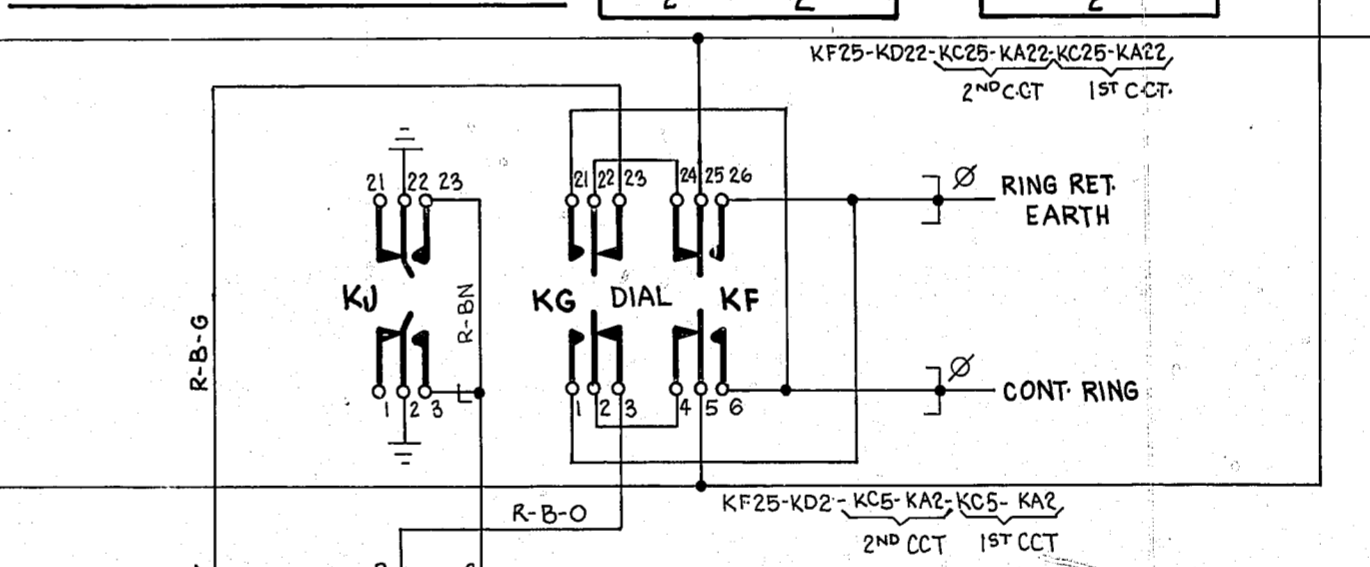


FIG. 4. DIAL SWITCHING CIRCUIT



WHERE 'ENG' SERVICE IS IN OPERATION:
 FIG. 3A FIG. 3C
 BATT. BK. TAG 20-1YA2-2YA2-1YB2-12B2-15e-2Se-HRe-YA2 FIG. 2

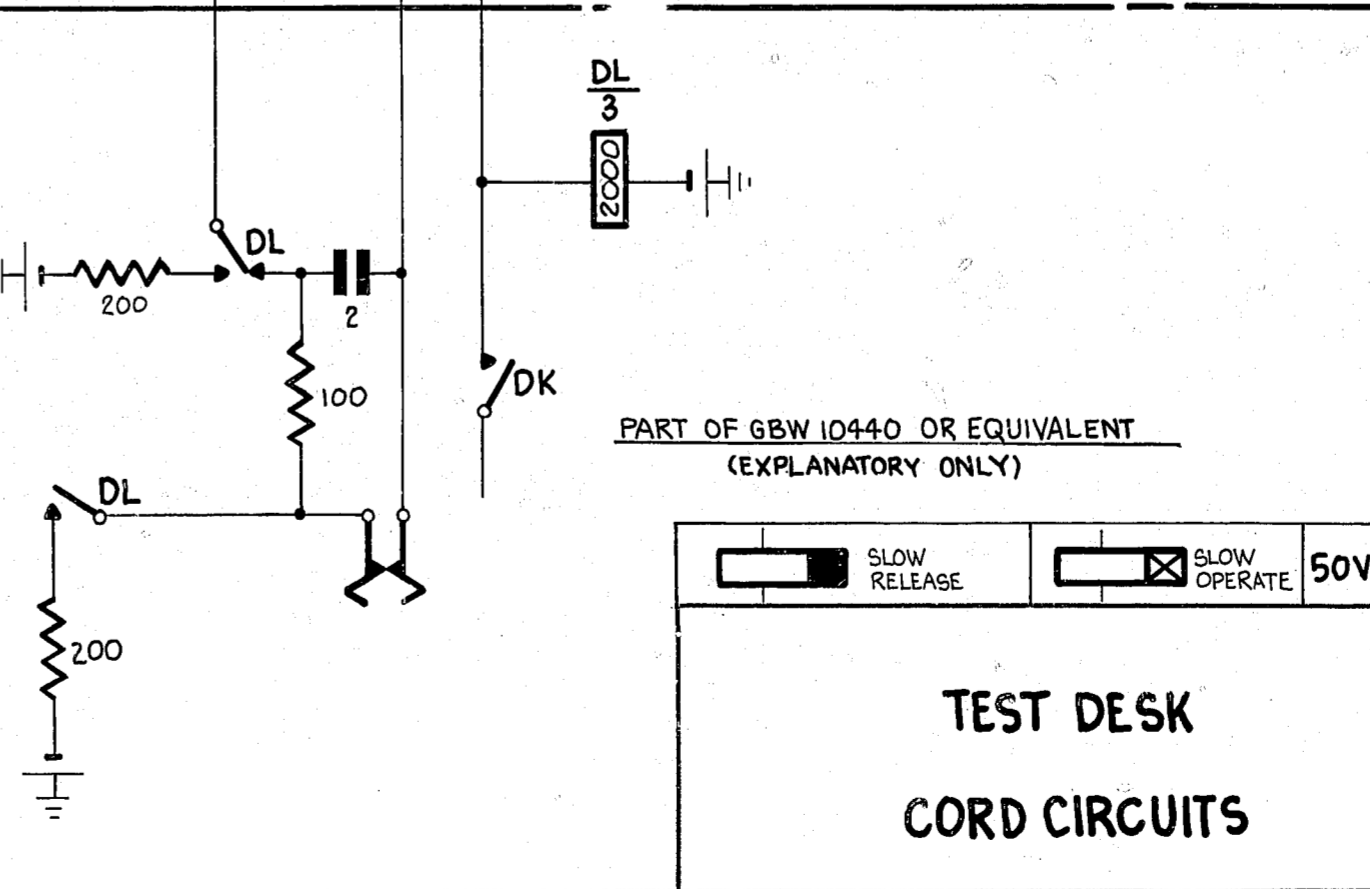
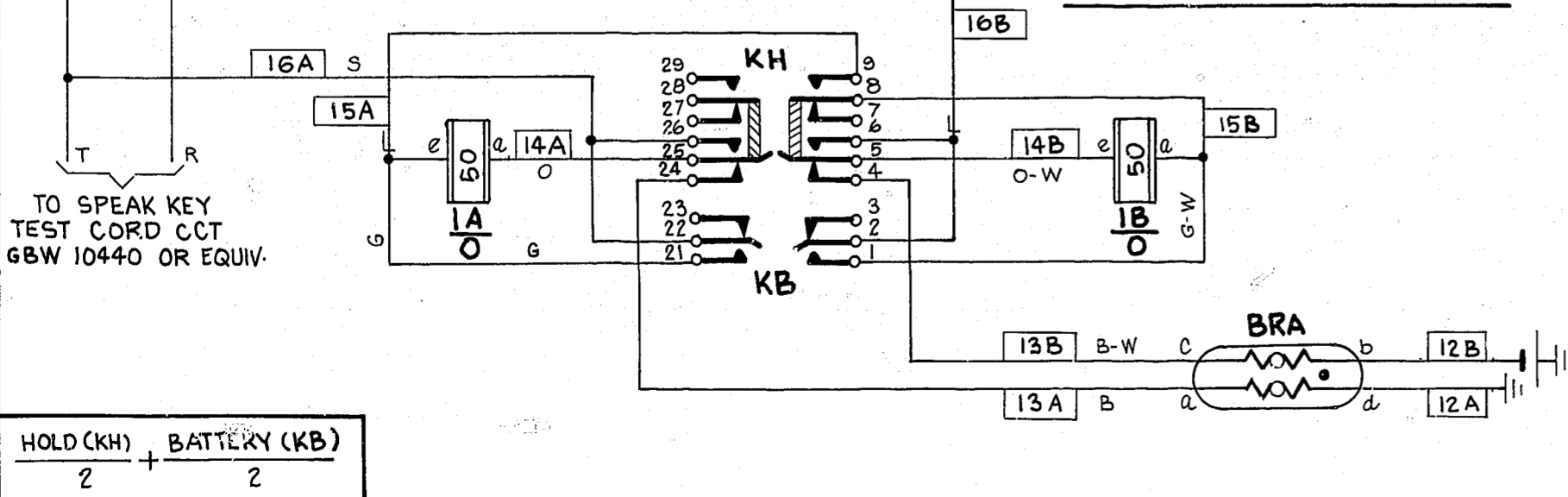
EARTH. R. DESK ETH:-KJ2-KJ22-1S1-2S1
 BATT. BK. 12B TAG 11- BRA 2
 EARTH. R. 12A TAG 12- BRA 4

WHERE 'ENG' SERVICE IS NOT IN OPERATION:
 FIG. 3A FIG. 3B
 BATT. BK. TAG 20-1YA2-2YA2-1YB2-2YB2-HRe-YA2 FIG. 2

EARTH. R. DESK ETH:-KJ2-KJ22-HJ1
 BATT. BK. 12B TAG 11- BRA 2
 EARTH. R. 12A TAG 12- BRA 4

PROOF

FIG. 5. BATTERY FEED CIRCUIT



PART OF GBW 10440 OR EQUIVALENT (EXPLANATORY ONLY)

50V E

TEST DESK
 CORD CIRCUITS

19-9-80	MK	17151	RETRACTED FROM ISS: 4A 20-6-77
20-6-77		133463	RED RETARD 1R & N2 NOTE A ADDED
16-9-60		77966	G-E NOTE 1 AMENDED
3			BATTÐ WIRING REV. TO INCL. 2 CONNECTS
2			YB FIG-3C WAS 1000 OHMS
1			
ISS DATE	DEL	DC ORDER	CHK APD
DRN: T-EQPT	CKD	ORIGIN: T-EQPT	
TCD: M-K	APPD	STANDARD: ATW 22001	
NZPO ENGINEER-IN-CHIEF, WELLINGTON			
SHT 1 OF 1		GBW 10450	
SIZE A2			

UD 236

