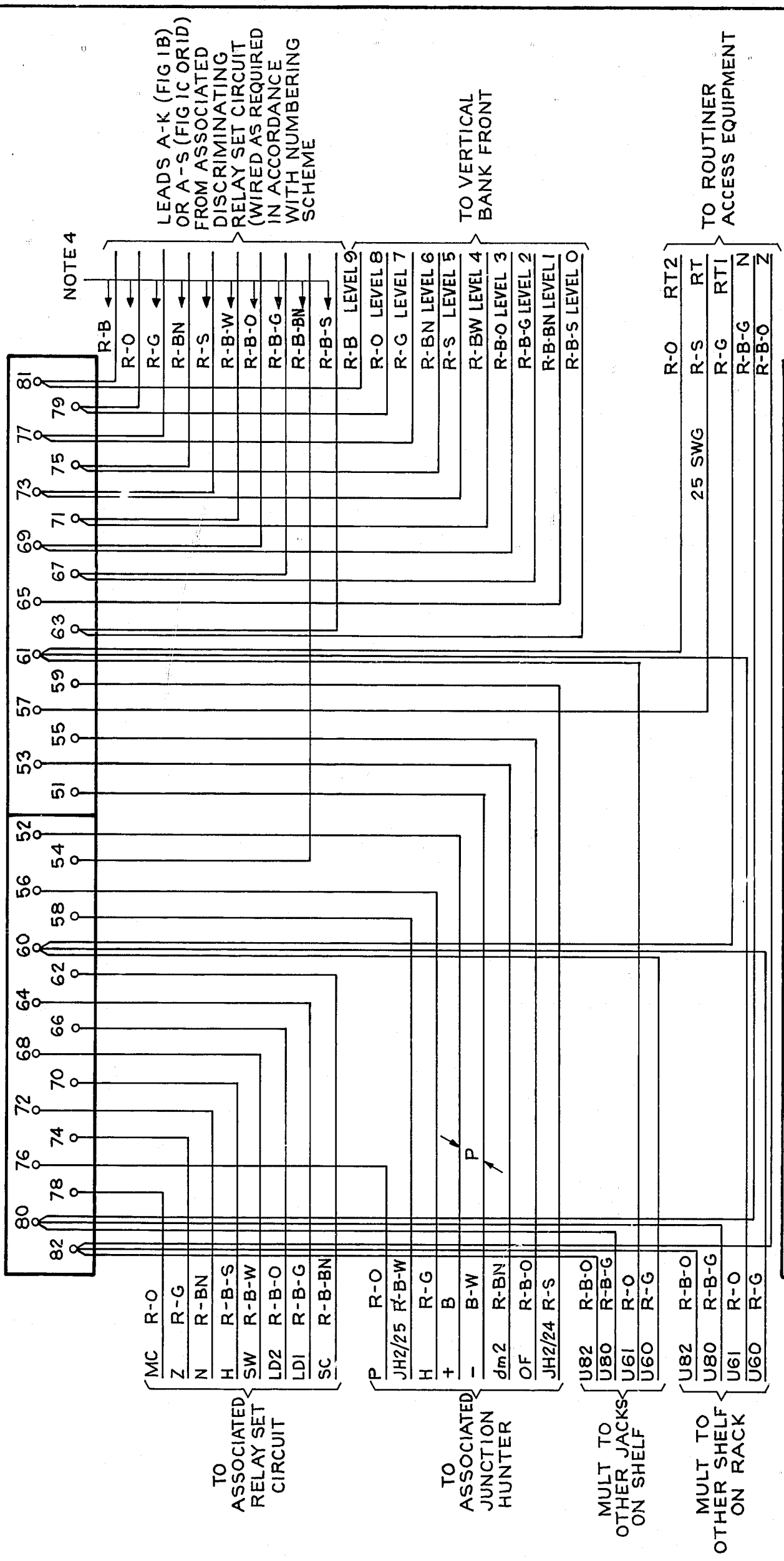


FIG 1A E I FOR I G
D.S.R. COIN BOX
AS SEEN FROM REAR



LEADS A-K (FIG 1B) OR A-S (FIG 1C OR 1D) FROM ASSOCIATED DISCRIMINATING RELAY SET CIRCUIT (WIRED AS REQUIRED IN ACCORDANCE WITH NUMBERING SCHEME)

TO VERTICAL BANK FRONT

TO ROUTINER ACCESS EQUIPMENT

FOR COLOURS SEE FIGS 1B, 1C OR 1D

LEADS X-Y (FIG 1B) OR T-ZA (FIG 1C) FROM ASSOCIATED DISCRIMINATING RELAY SET CIRCUIT (WIRED AS REQUIRED IN ACCORDANCE WITH NUMBERING SCHEME)

FROM UNISELECTOR VIA T.D.F. O/G OR I.D.F. LOCAL OR MULT.

FROM ASSOC'D 'RA' RELAY FROM BELL FROM JUNCTION OVER FLOW METER FROM SUPPLY VIA JACK FROM SUPPLY FROM ASSOC'D 'LA' RELAY FROM SUPPLY VIA JACK FROM SUPPLY VIA JACK FROM SUPPLY VIA JACK

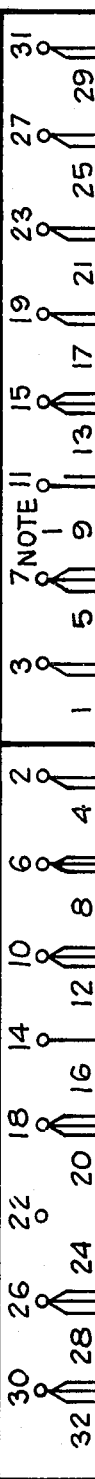
TO ROUTINER ACCESS EQUIPMENT

TO TRAFFIC REC'DR STRIP CONN

FROM FUSE PANEL

TO ASSOCIATED JUNCTION HUNTER

TO ASSOCIATED RELAY SET CIRCUIT



7 NOTE 11

TO VERTICAL BANK REAR

MULT TO OTHER JACKS ON SHELF

MULT TO OTHER SHELVES ON RACK

MULT TO NEXT SHELF

22 SWG

NOTES:-
1-1 U9 & U11 TO MAKE CONTACT WHEN SELECTOR IS REMOVED
1-2 COLOUR FOR 1ST PAIR OF SHELVES R-O. COLOUR FOR 2ND PAIR OF SHELVES R-G
1-3 ALL WIRE TO BE 25 SWG. UNLESS OTHERWISE
1-4 THESE COLOURS APPLY ONLY WHEN SELECTOR IS USED IN CONJUNCTION WITH FIG 1C OR 1D RELAY SETS. WHEN USED WITH FIG 1B SEE GBU 20190/1/2/3/4 FIG 1B FOR COLOURS OF THESE LEADS.
1-5 ON SOME EARLY EQUIPMENT BATTERY WIRING IS BLACK.

				DISCRIMINATING SELR. REPEATER COIN BOX 200 OUTLET 2000 TYPE WITH OVERFLOW ROUTEING FACILITY	
WAS GBW 10430/1/2/3/4 MOD B (2500)		1	9-7-73	B.S.H.	
AMENDMENT PARTICULARS			ISSUE DATE	APD	SIZE S 50V E
N Z P O	DRAWN	CHECKED	WIRING	ENGIN'RS	GBU 20190 20193 SHEET 20191 20194 1-3 20192

AS SEEN FROM REAR

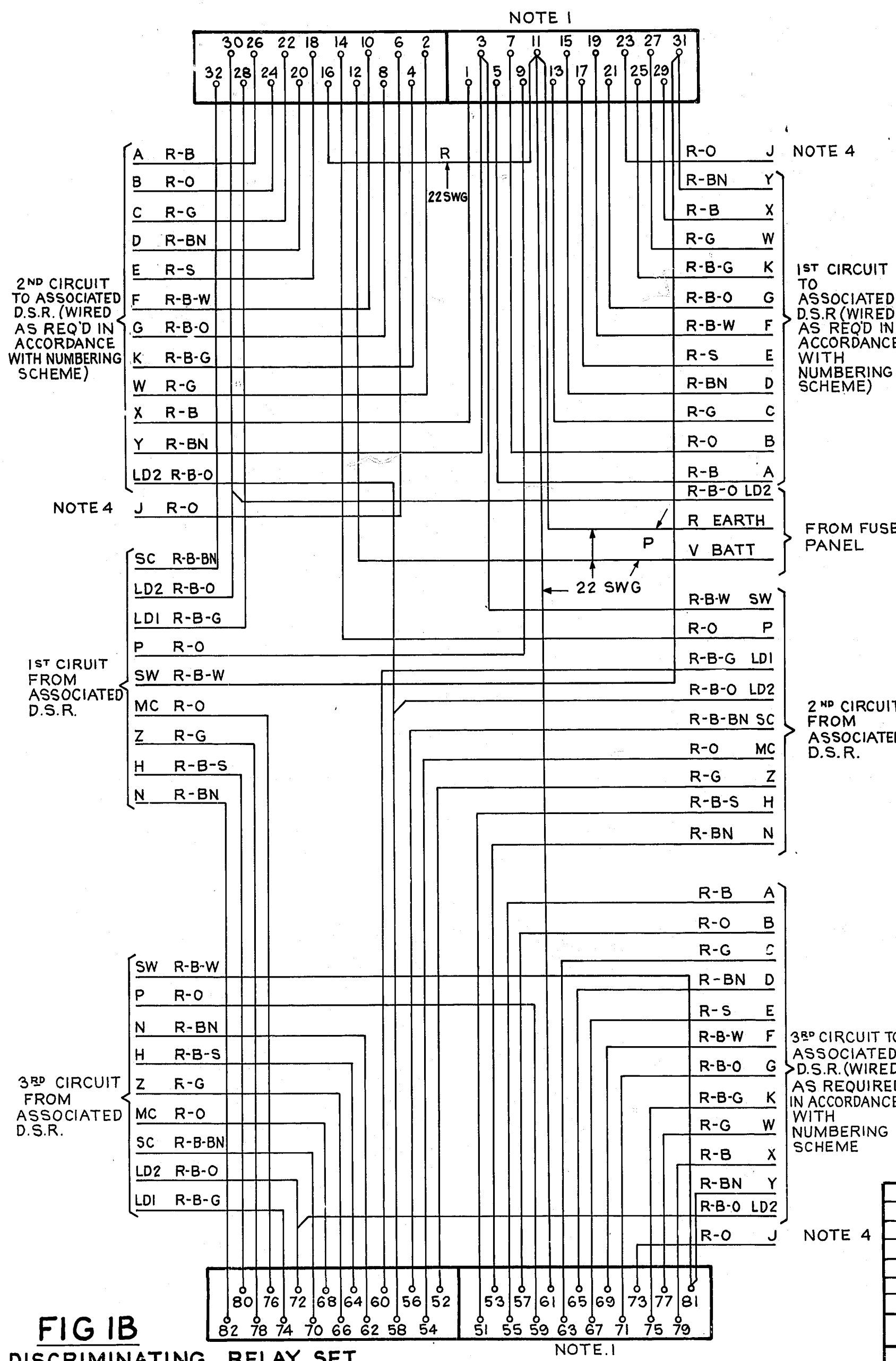


FIG. IB
DISCRIMINATING RELAY SET

ABSORBS 1ST DIGIT. DISCRIMATES ON 1ST & 2ND

AS SEEN FROM REAR

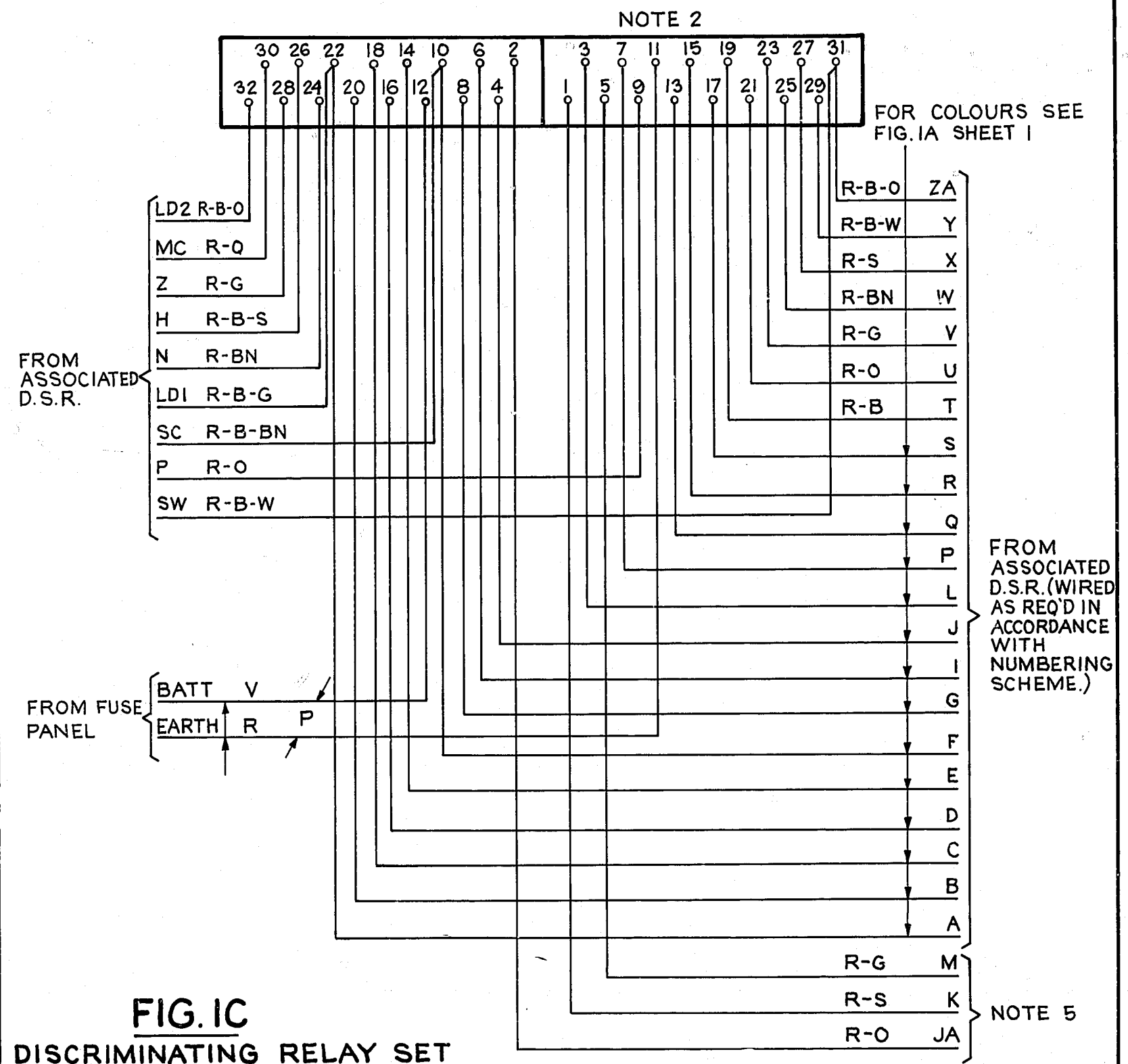


FIG. IC
DISCRIMINATING RELAY SET

ABSORBS 1ST & 2ND DIGITS. DISCRIMATES ON 1ST, 2ND & 3RD

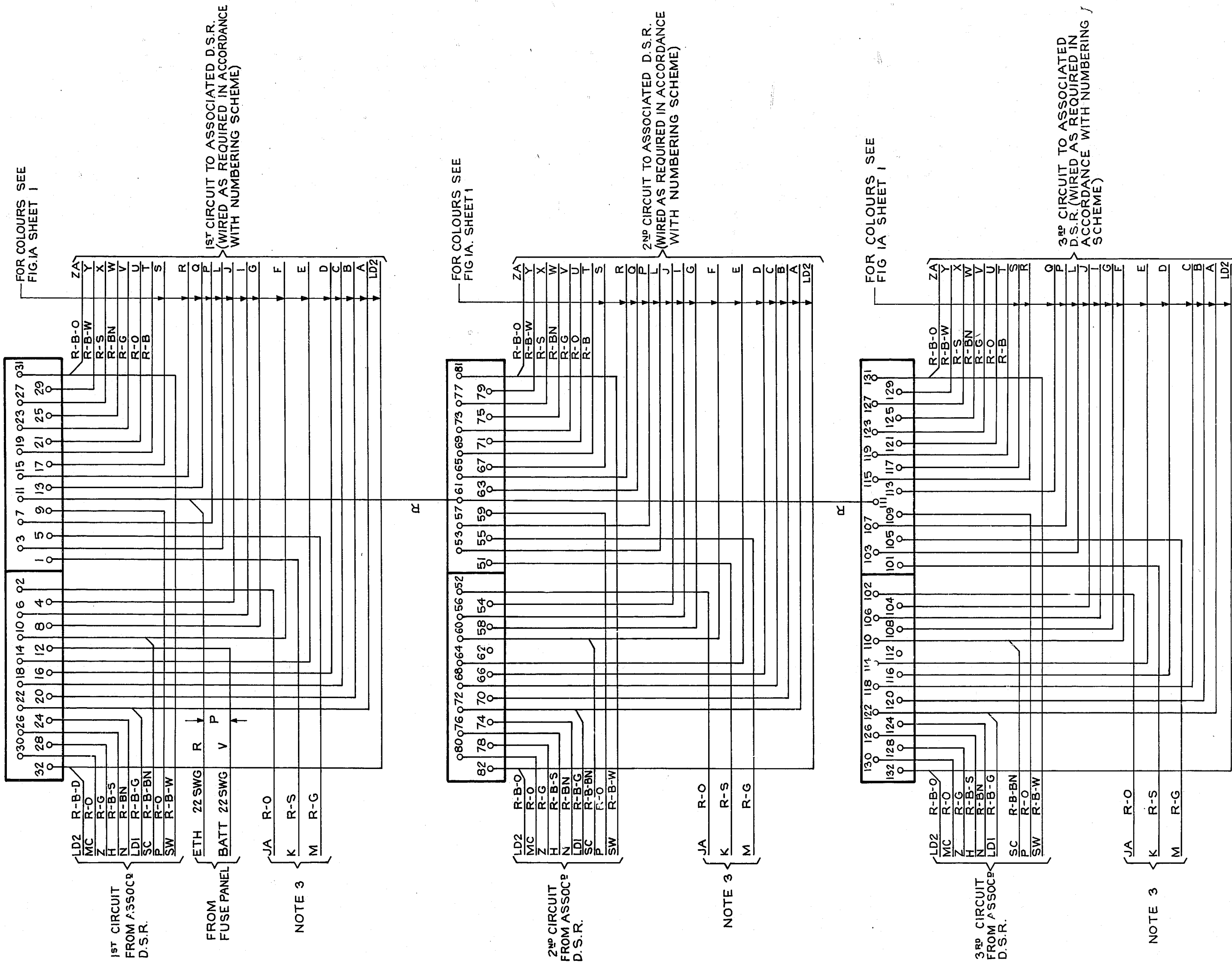
(ONE CIRCUIT PER BASE)

NOTES:-

- 2-1 JACK POINTS U9 & 11, U14 & 16 AND U59 & 61 (FIG. 1B) TO MAKE CONTACT WHEN RELAY SET IS REMOVED.
- 2-2 JACK POINTS U9 & 11 (FIG. 1C) TO MAKE CONTACT WHEN RELAY SET IS REMOVED
- 2-3 ALL WIRING TO BE 25 SWG UNLESS OTHERWISE SPECIFIED
- 2-4 LEAD J (FIG. 1B) IS LOOPED TO POINT ON SAME SHELF JACK AS REQUIRED IN ACCORDANCE WITH NUMBERING SCHEME
- 2-5 LEADS M, K & JA (FIG. 1C) ARE LOOPED TO POINTS ON SAME SHELF JACK AS REQUIRED IN ACCORDANCE WITH NUMBERING SCHEME.
- 2-6 ON SOME EARLY EQUIPMENT BATTERY WIRING IS BK

				DISCRIMINATING SELFR REPEATER COIN BOX 200 OUTLET 2000 TYPE WITH OVERFLOW ROUTEING FACILITY			
WAS GBU 10430/1/2/3/4 MOD B (2500)				1	9-7-73	B.S.H.	
AMENDMENT PARTICULARS				ISSUE	DATE	APD	SIZE S 50 V E
N Z P O				M	DRAWN	CHECKED	WIRING ENGRS
				GBU 20190 20193		SHEET 2-3	
				20191 20194			
				20192			

AS SEEN FROM REAR



NOTES

- 3-1 ALL WIRING TO BE 25 SWG UNLESS OTHERWISE SPECIFIED
- 3-2 JACK POINTS U9 & U11, U59 & U61, U109 & U111 TO MAKE CONTACT WHEN RELAY SET IS REMOVED
- 3-3 LEADS MK & JA ARE LOOPED TO POINTS ON SAME SHELF JACK AS REQUIRED IN ACCORDANCE WITH NUMBERING SCHEME
- 3-4 ON SOME EARLY EQUIPMENT BATTERY WIRING IS BK.

FIG. 1D
DISCRIMINATING RELAY SET

ABSORBS 1ST & 2ND DIGIT
DISCRIMINATES ON 1ST, 2ND
& 3RD (3 CIRCUITS PER BASE)

				DISCRIMINATING SEL'R REPEATER COIN BOX	
				200 OUTLET 2000 TYPE WITH OVERFLOW ROUTING FACILITY.	
WAS GBU 10430/1/2/3/4 MOD.B (2500)		1	9-7-73	B.S.H.	
AMENDMENT PARTICULARS			ISSUE	DATE	APD
			SIZE	S	50V E
			20190	20193	SHEET
			20191	20194	3-3
			20192		

N I Z P O I DRAWN CHECKED WIRING CIRCUIT

Centimetres

0 5 10 15 20 25 30 35 40